



# KYANITE SQUAD

**2406**

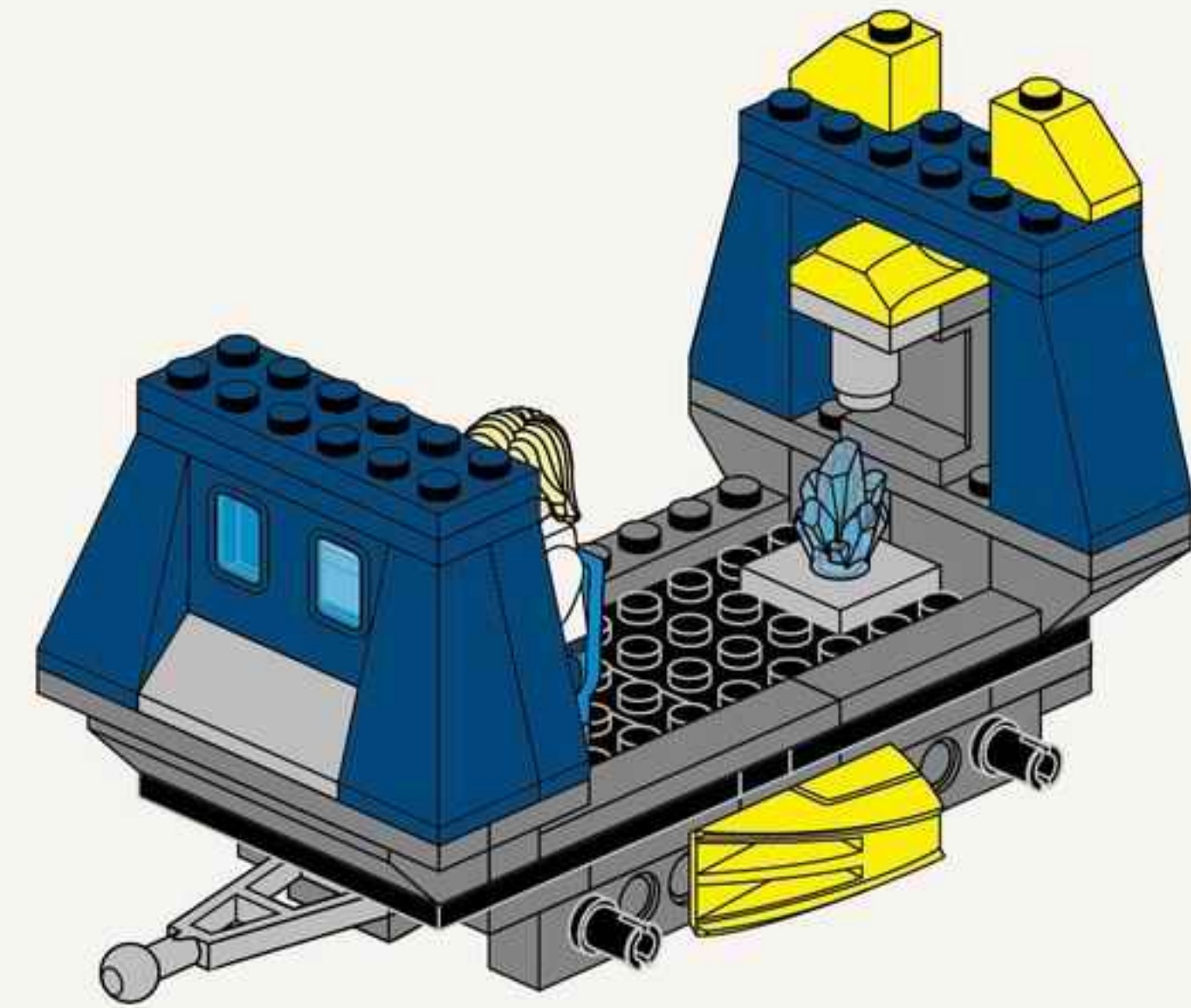
**Ages: 6+**

**Minifigs: X3**

**PCS: 291**

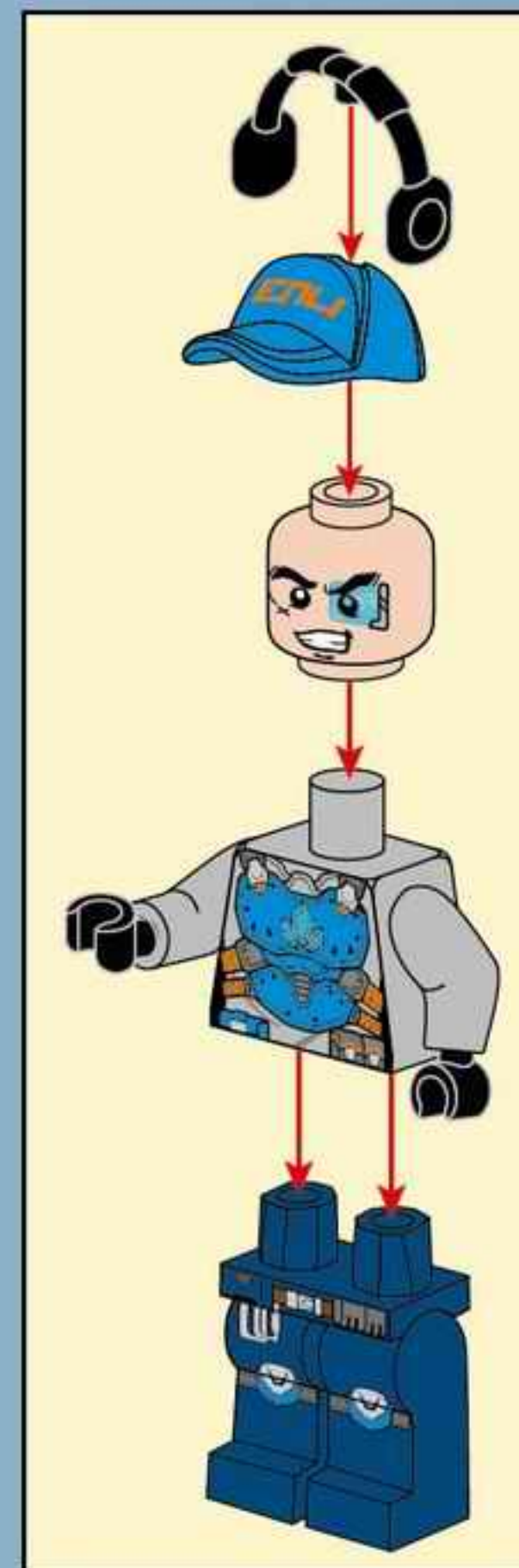
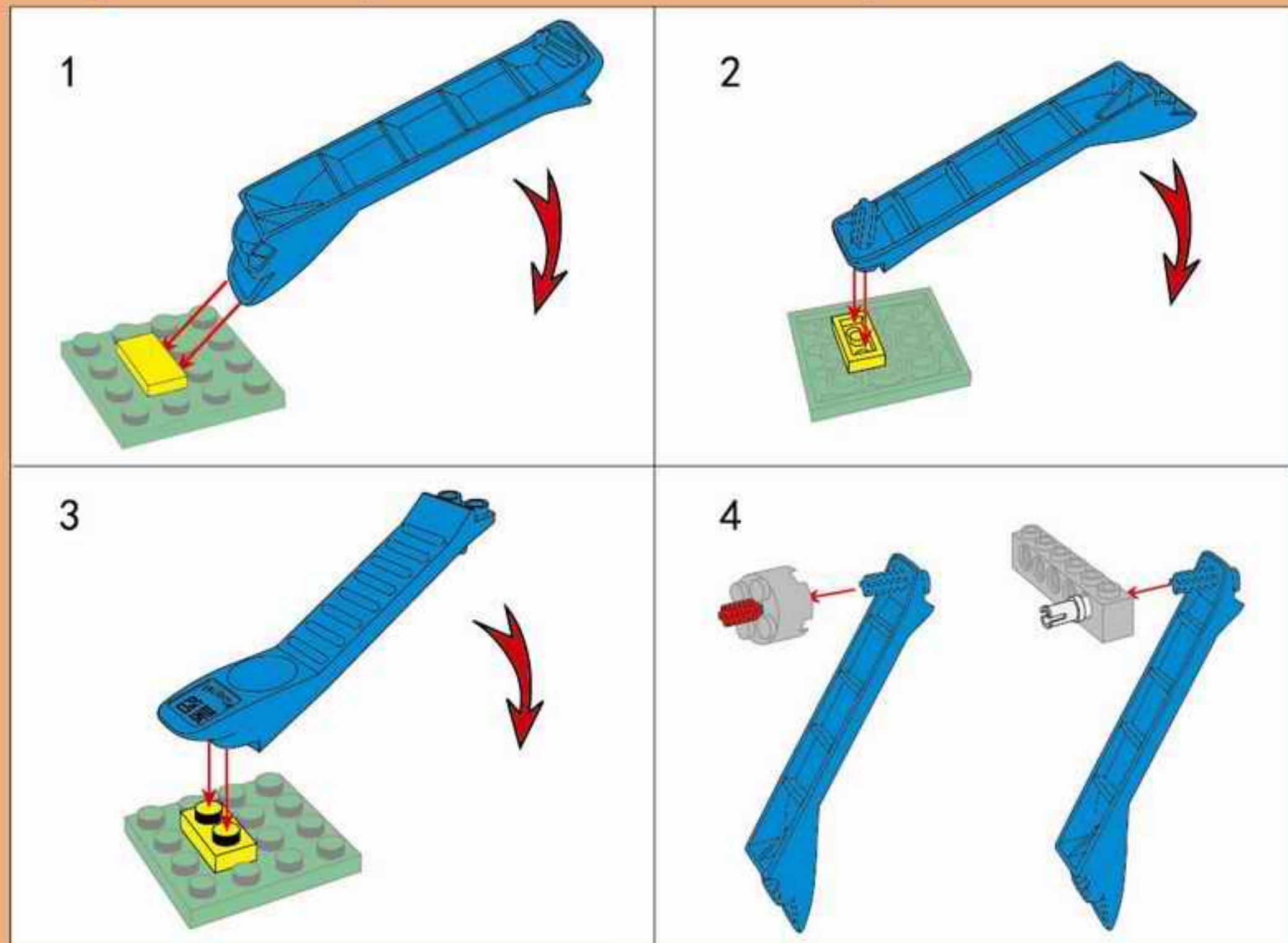


**LABORATORY RV**

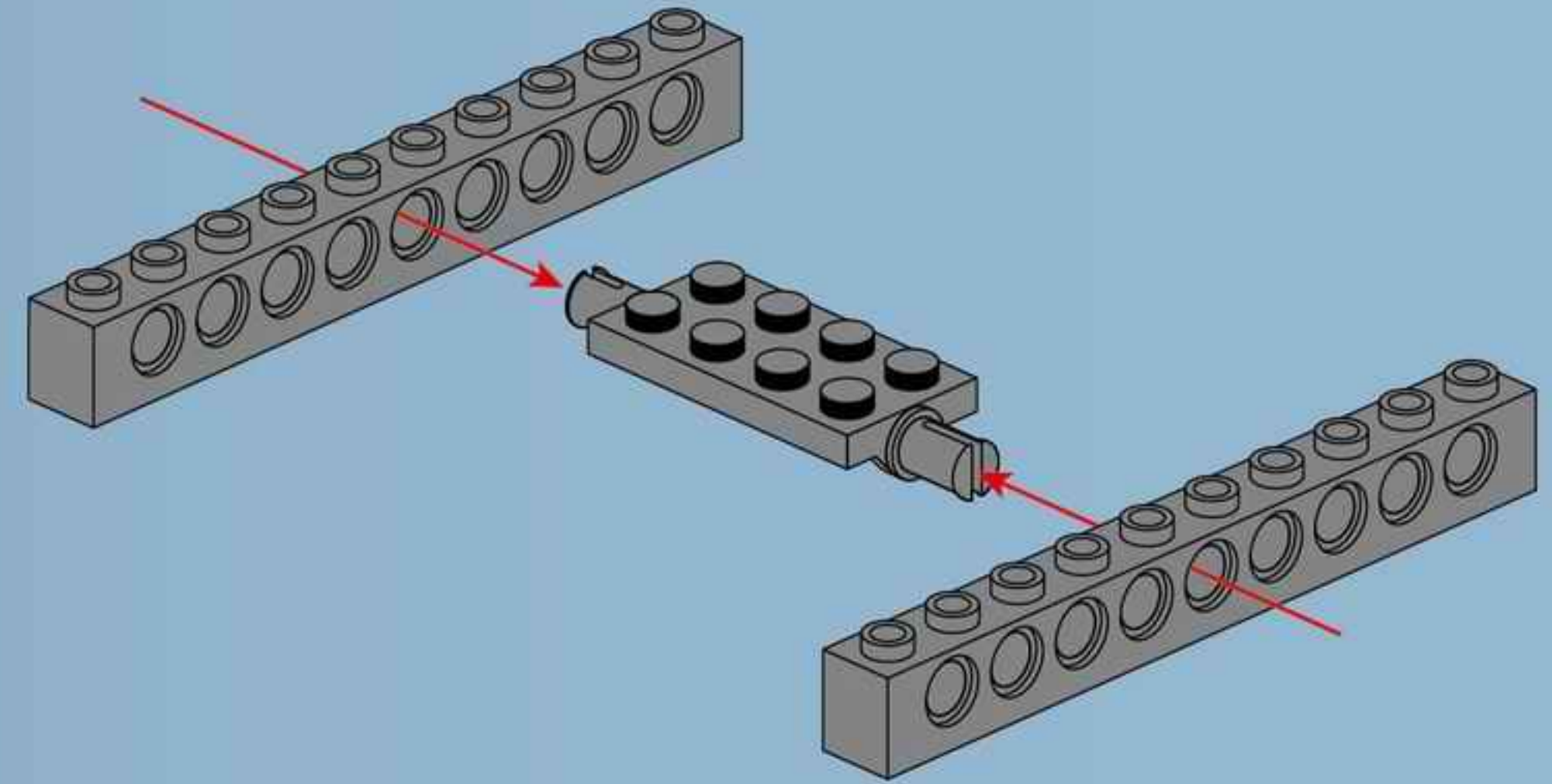
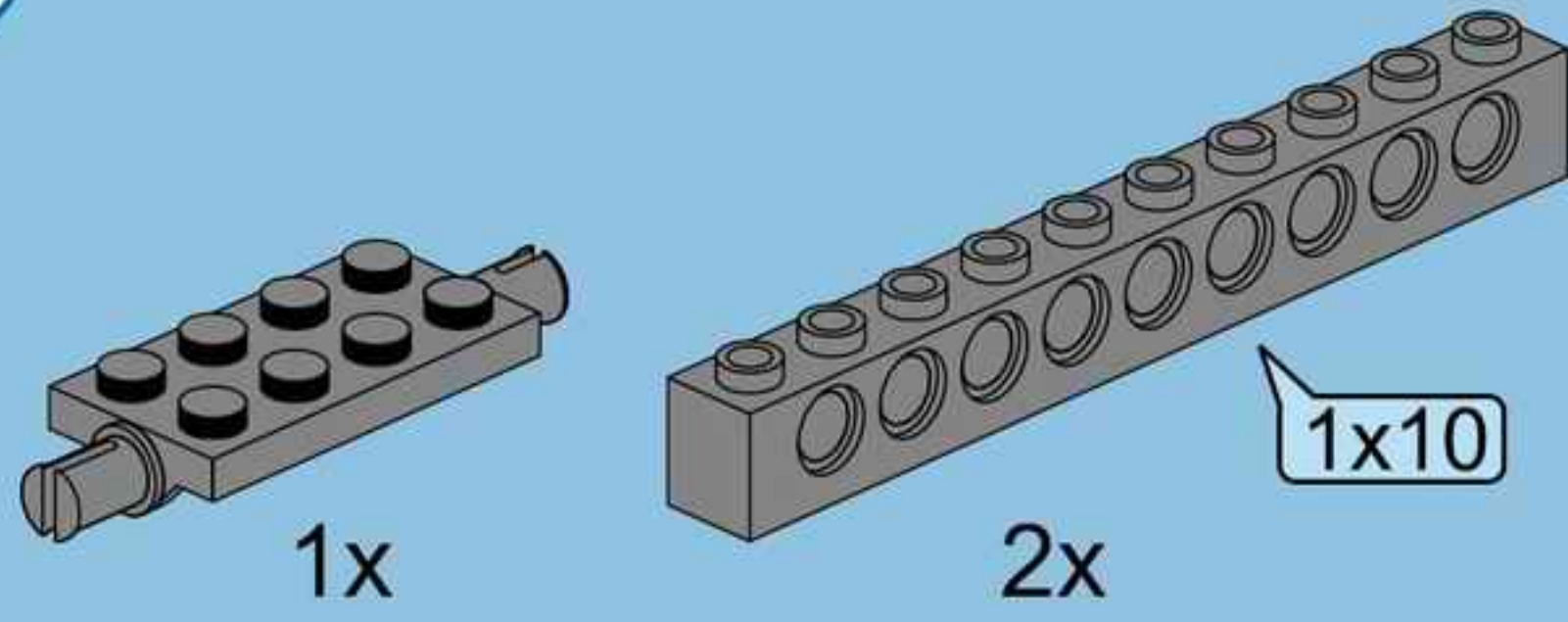


拆件器使用方法, 仅为示例

Usage of Brick Separator, Just for the sample



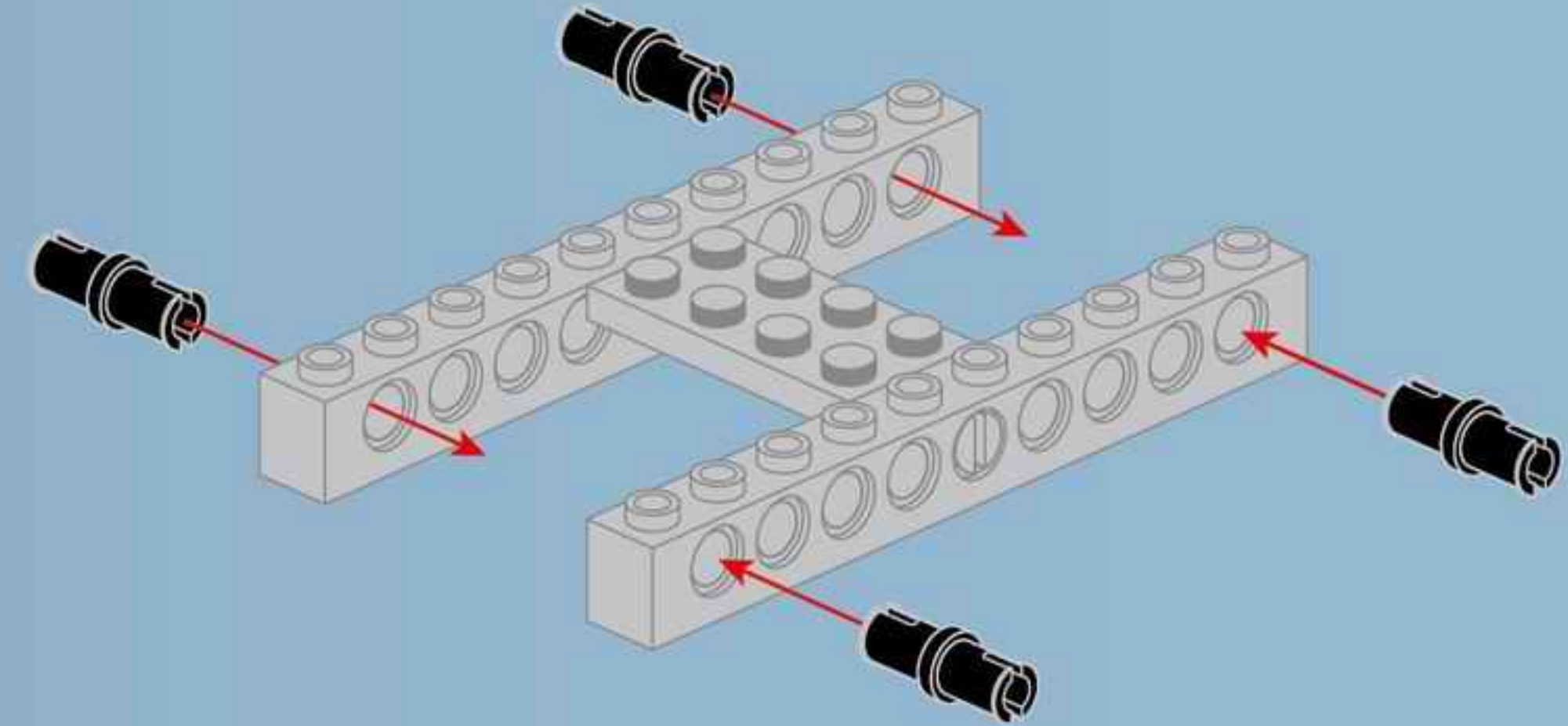
1



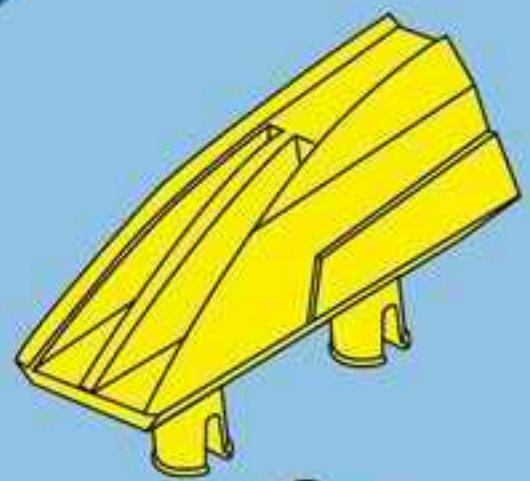
2



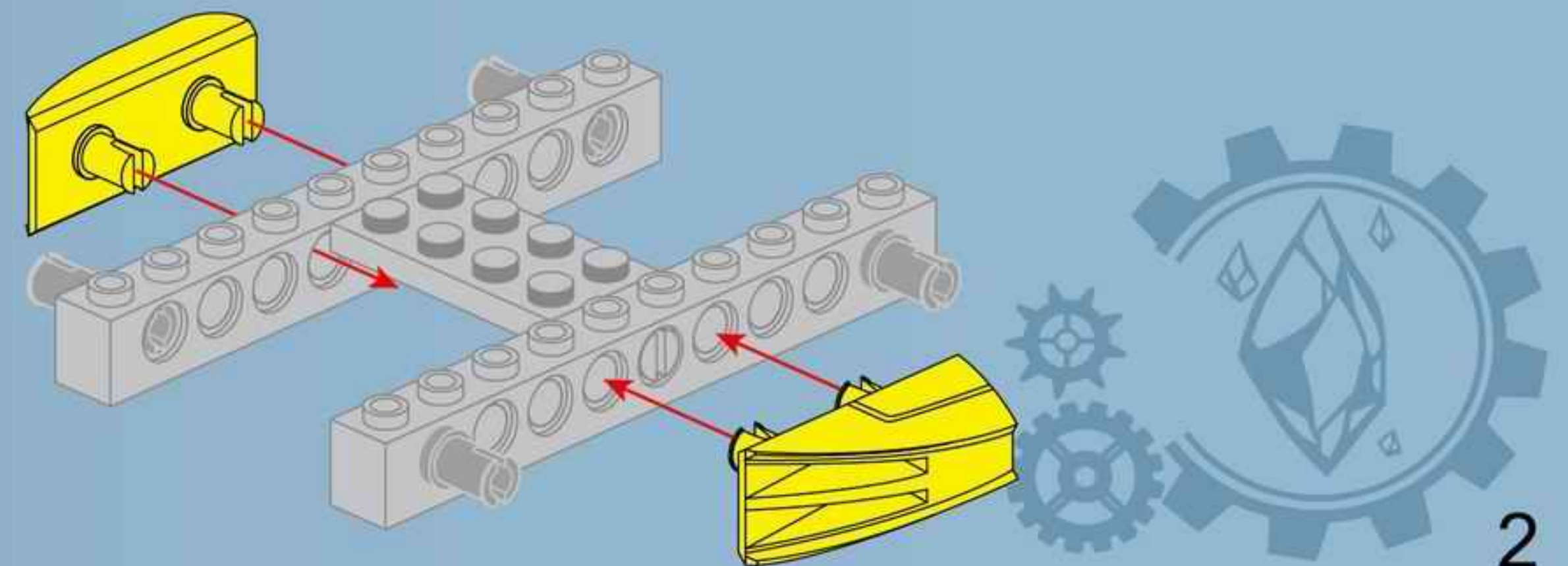
4x



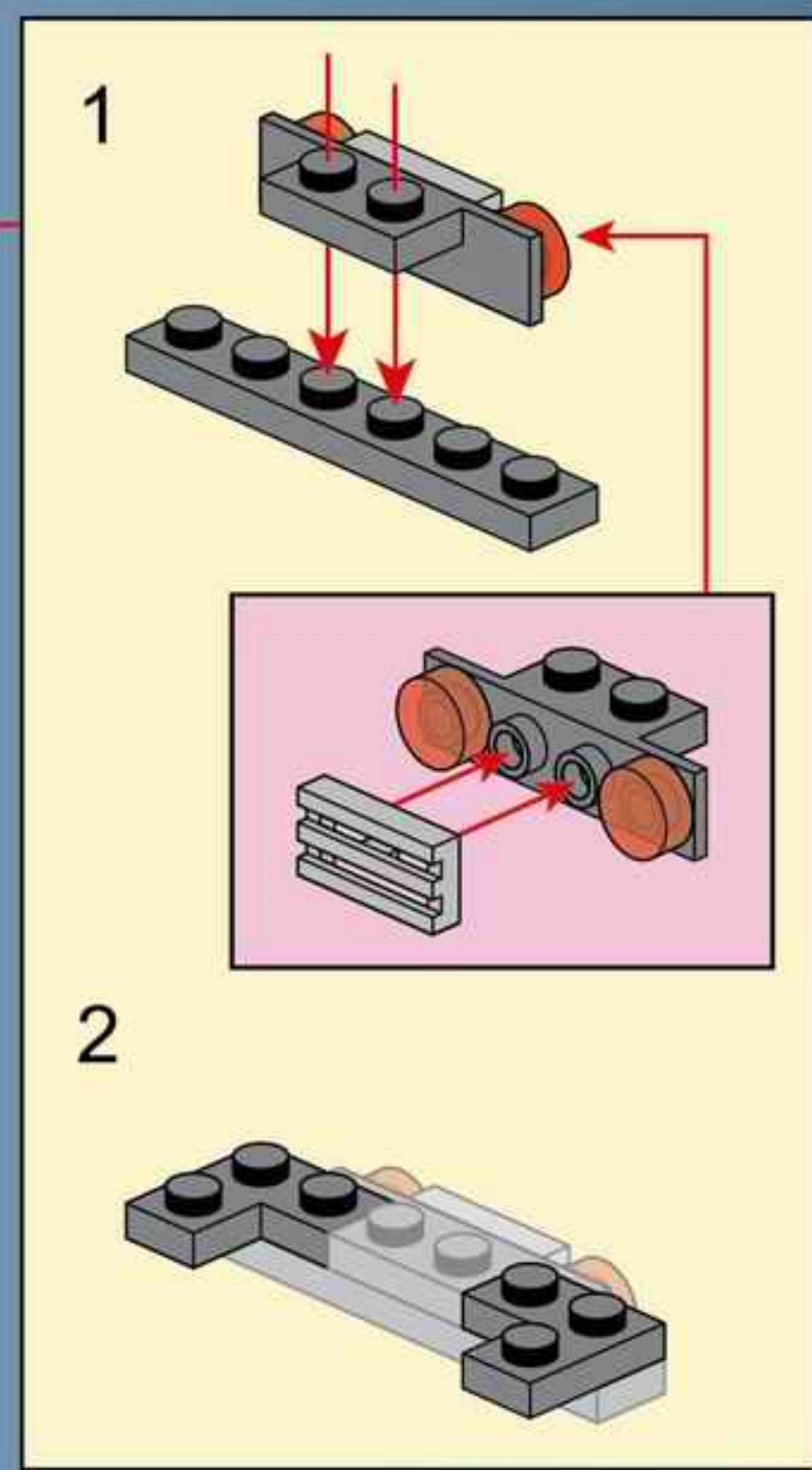
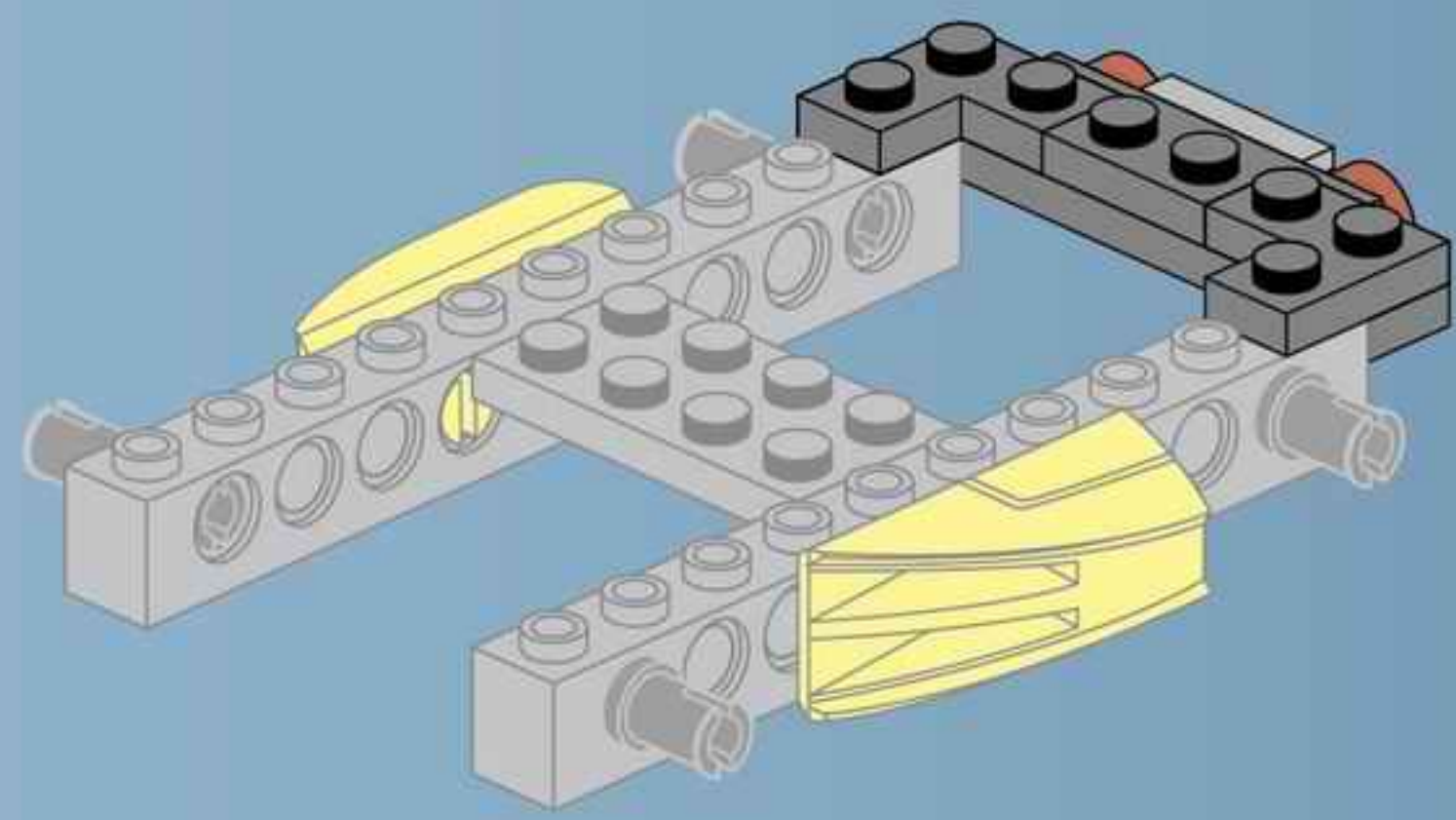
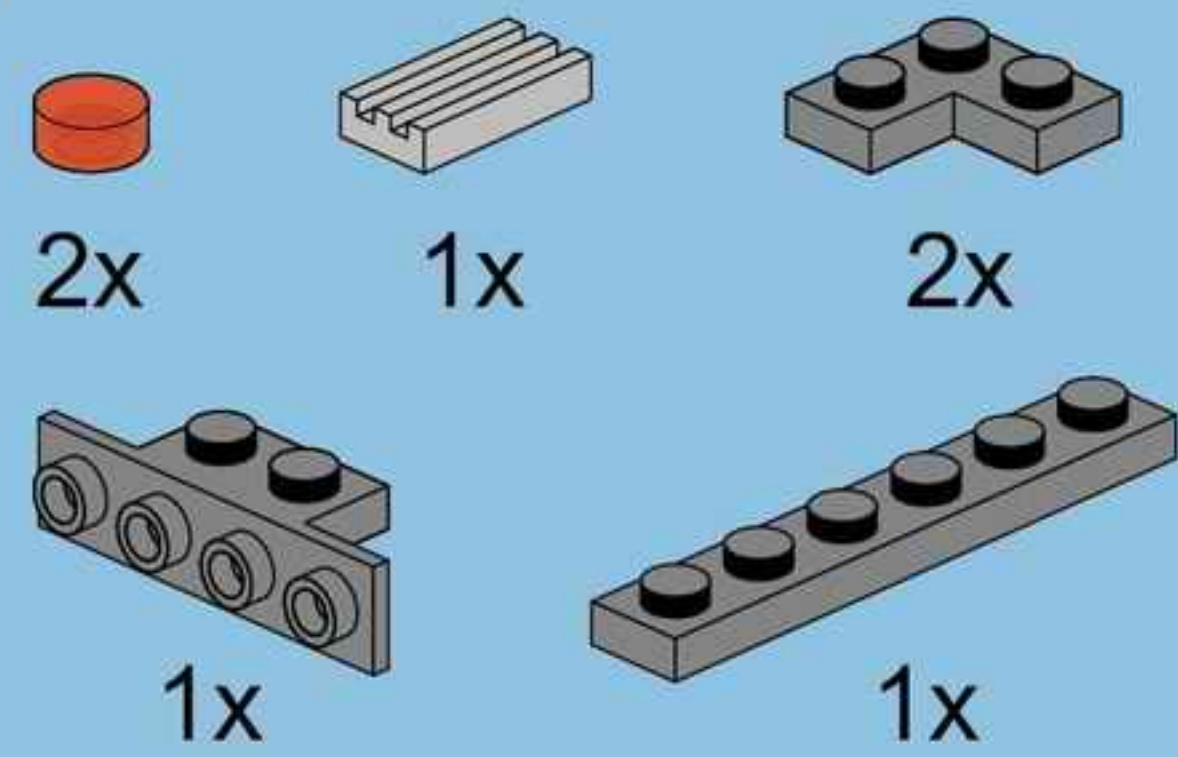
3



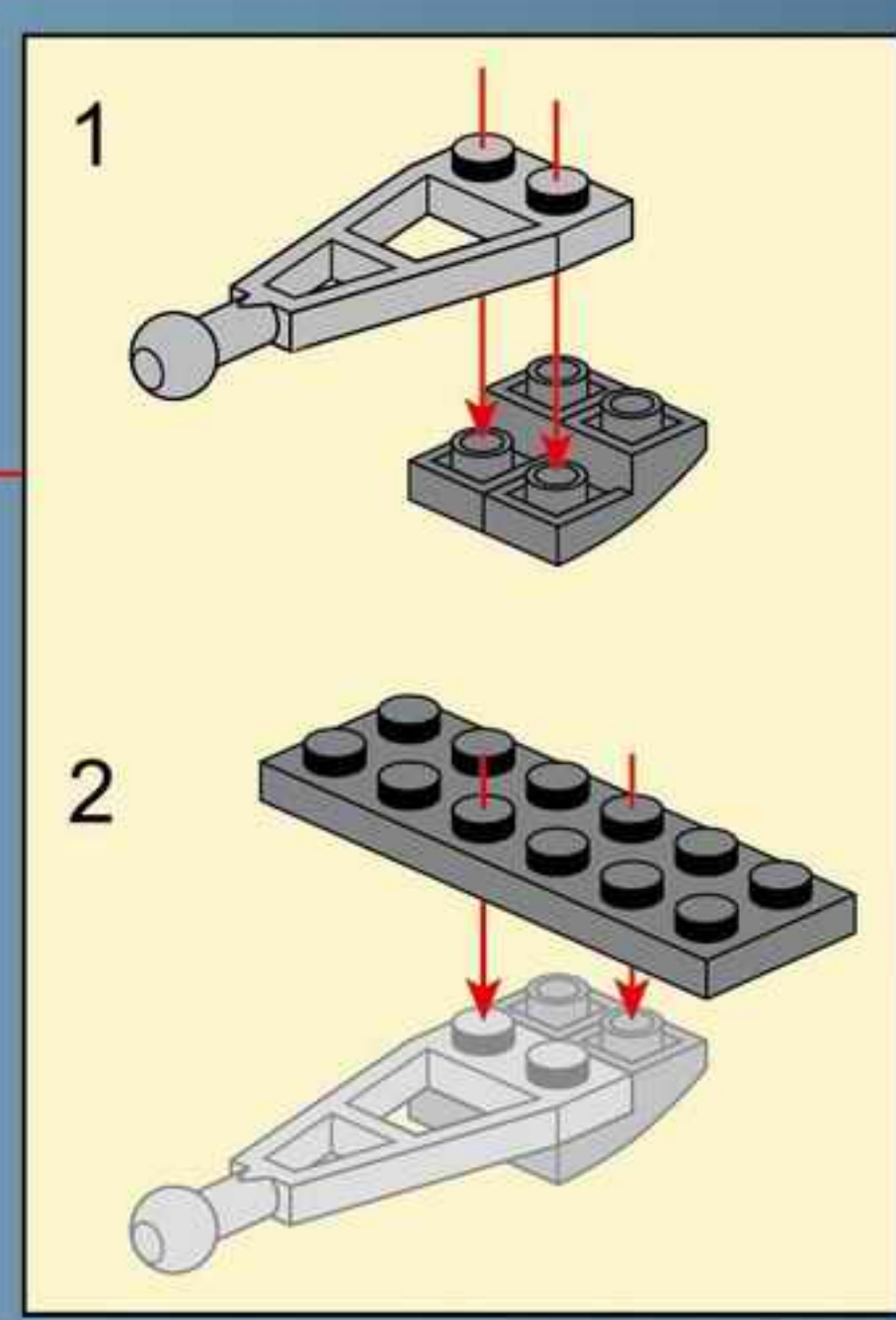
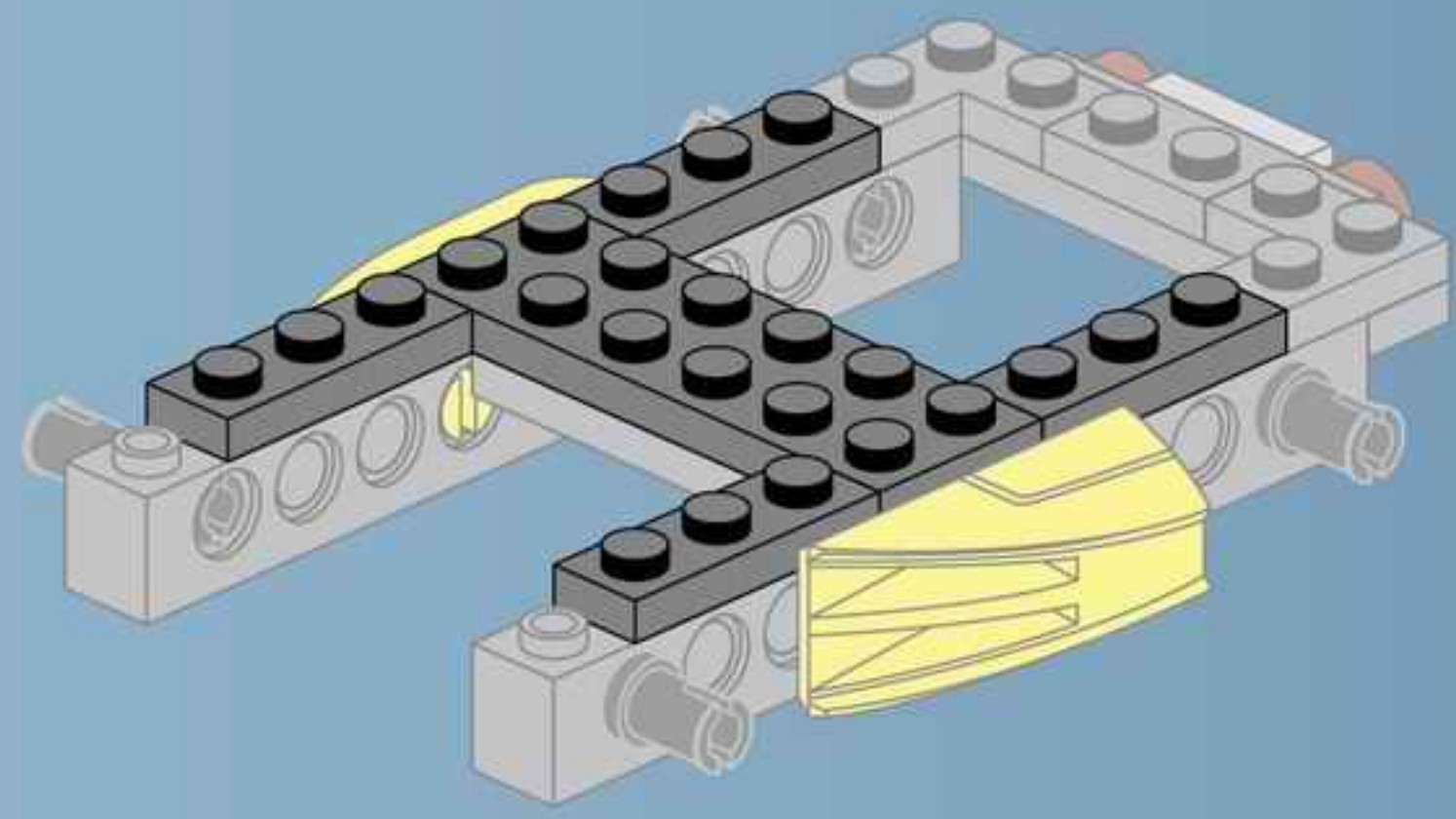
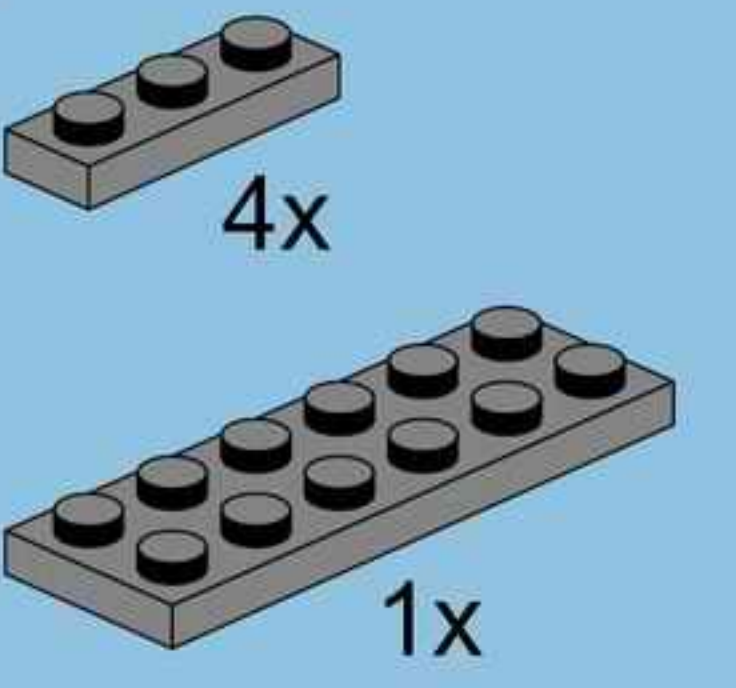
2x



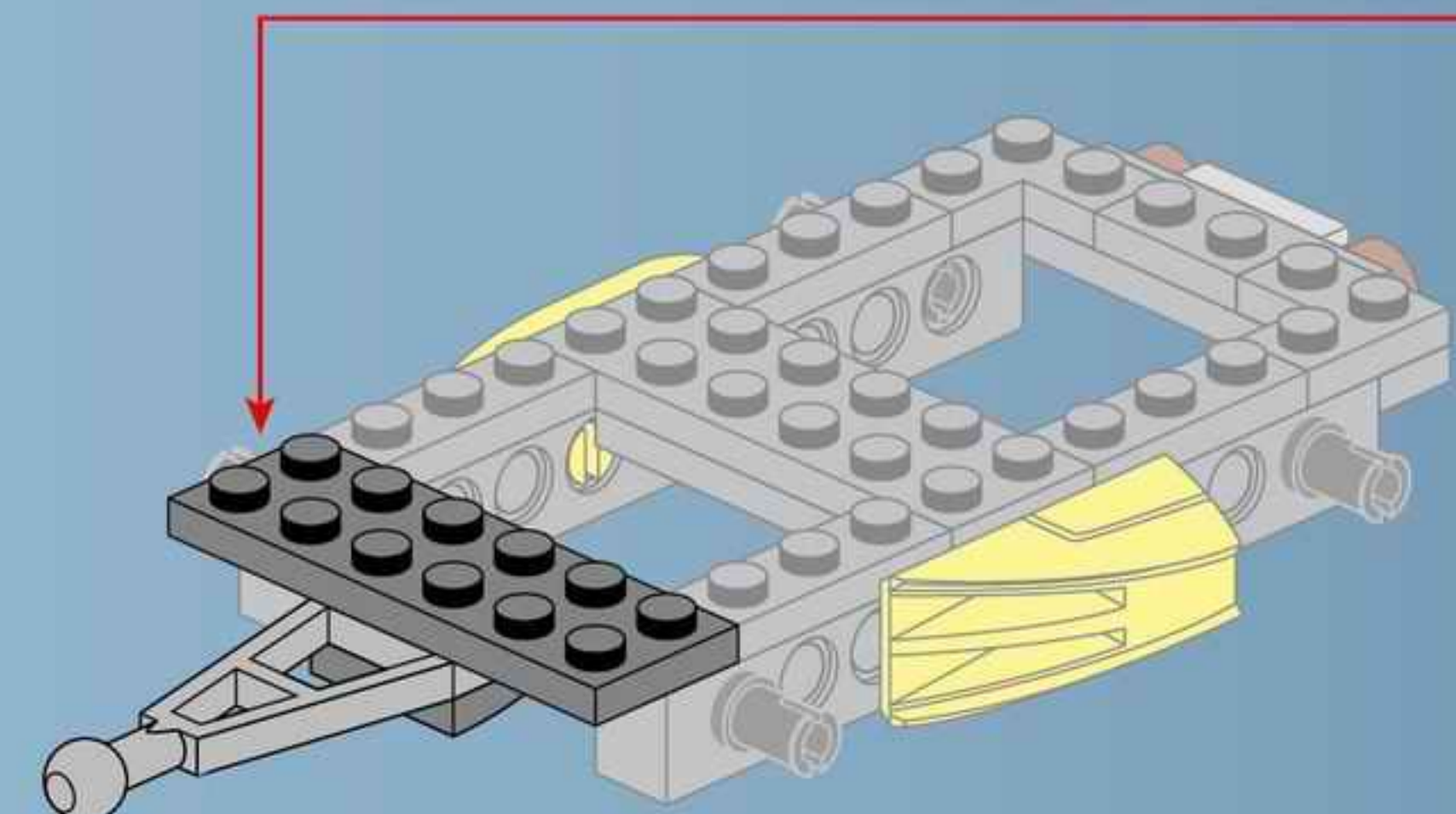
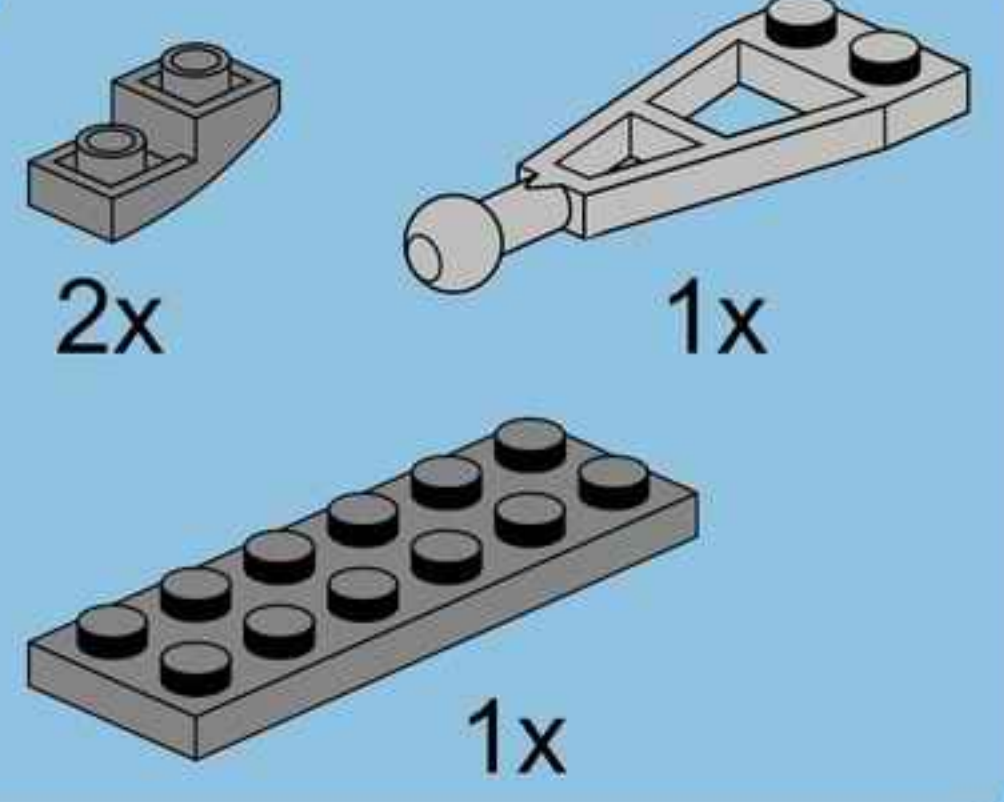
4



5

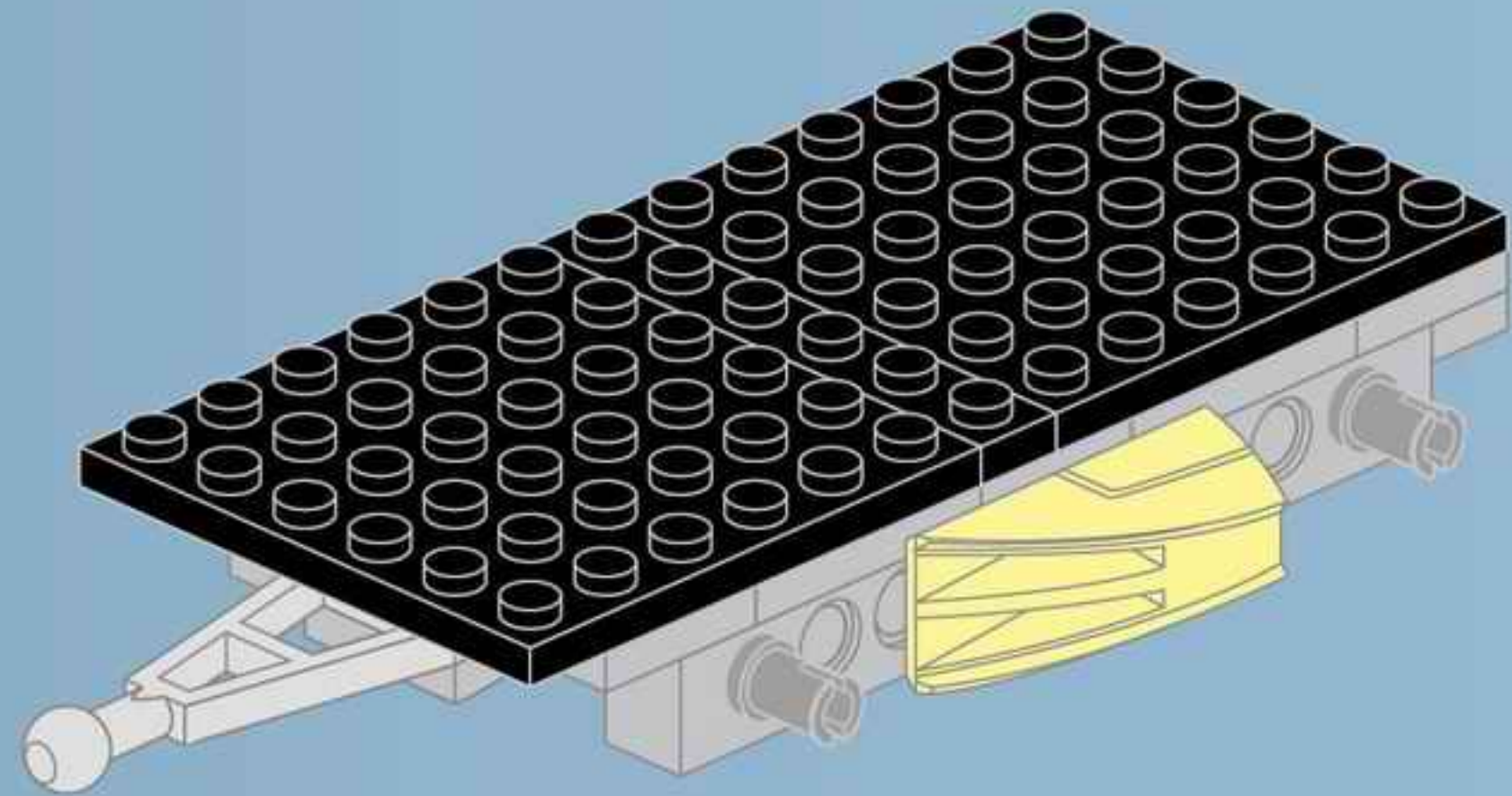
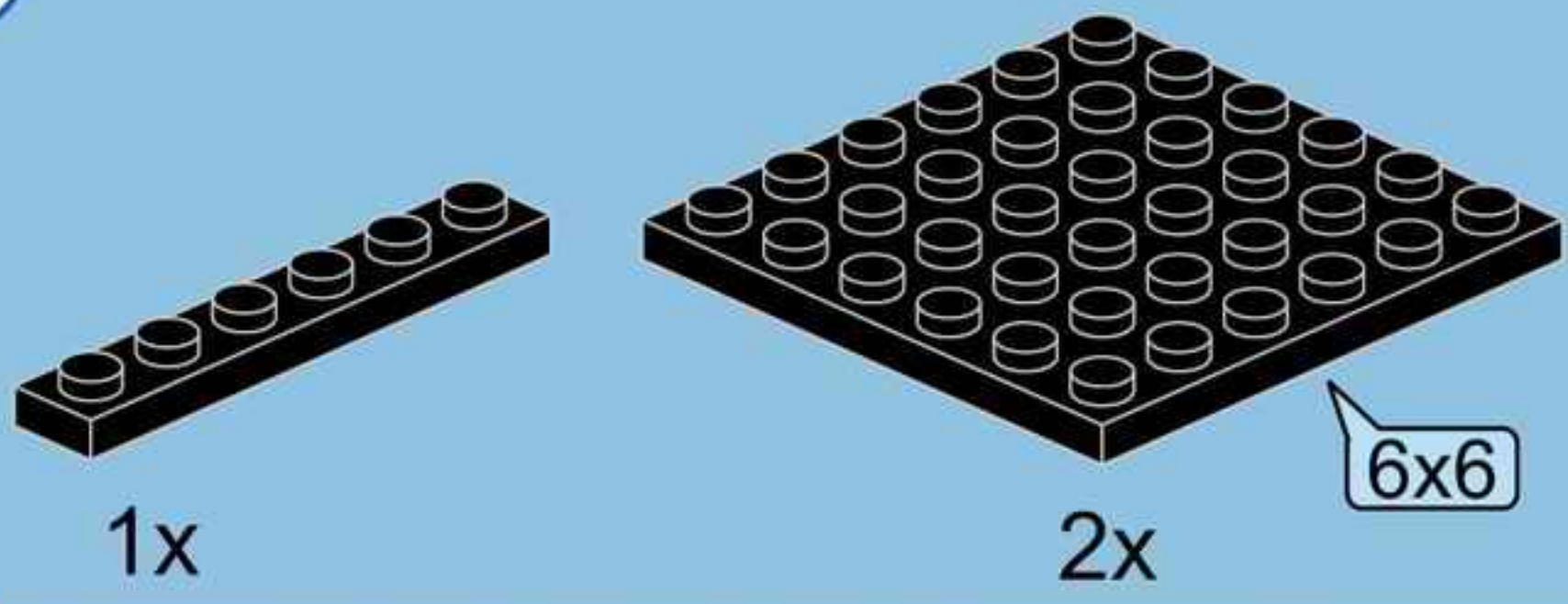


6

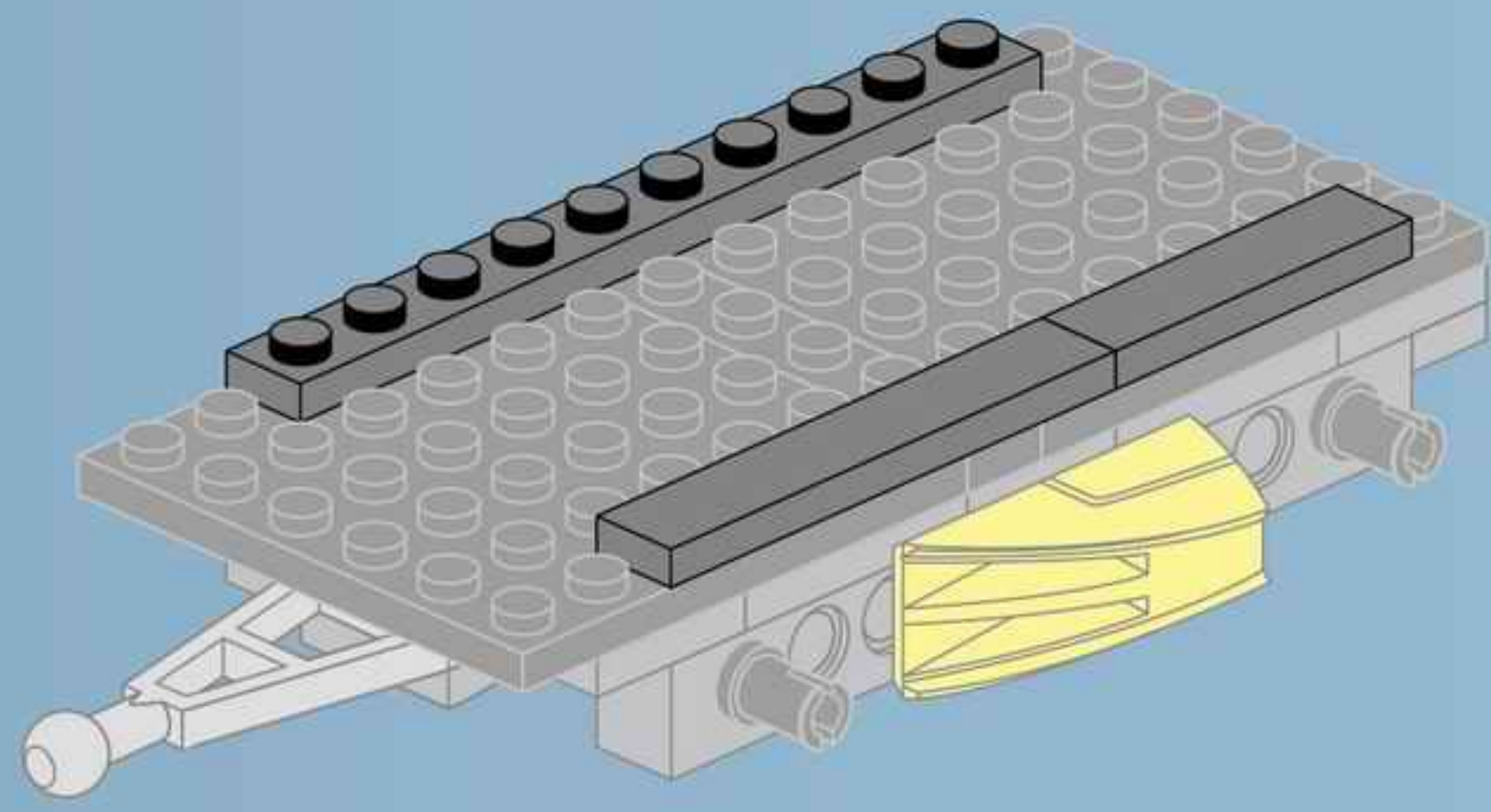
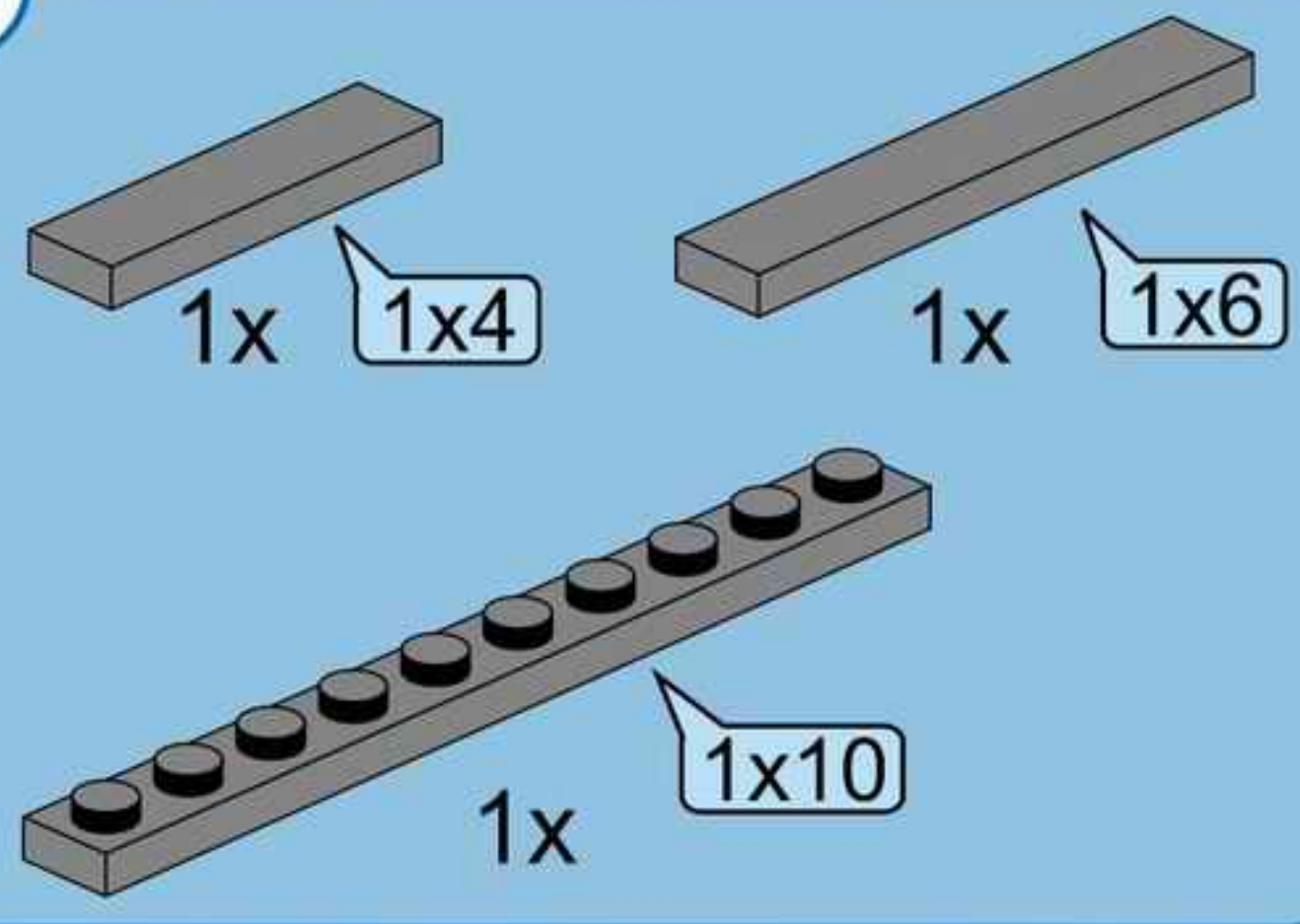


3

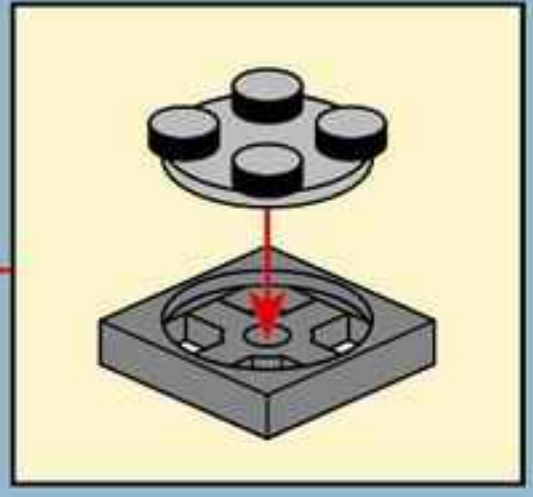
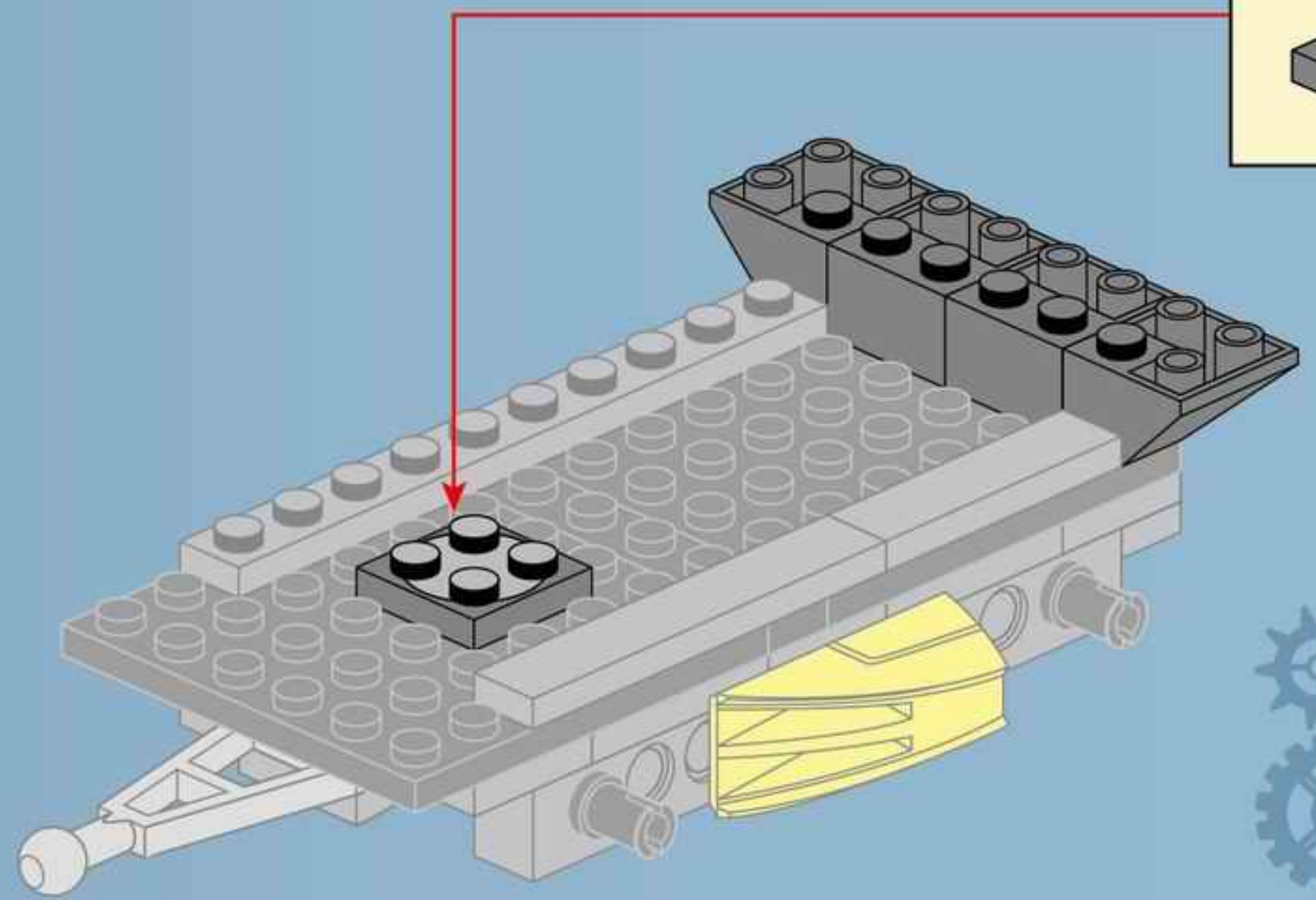
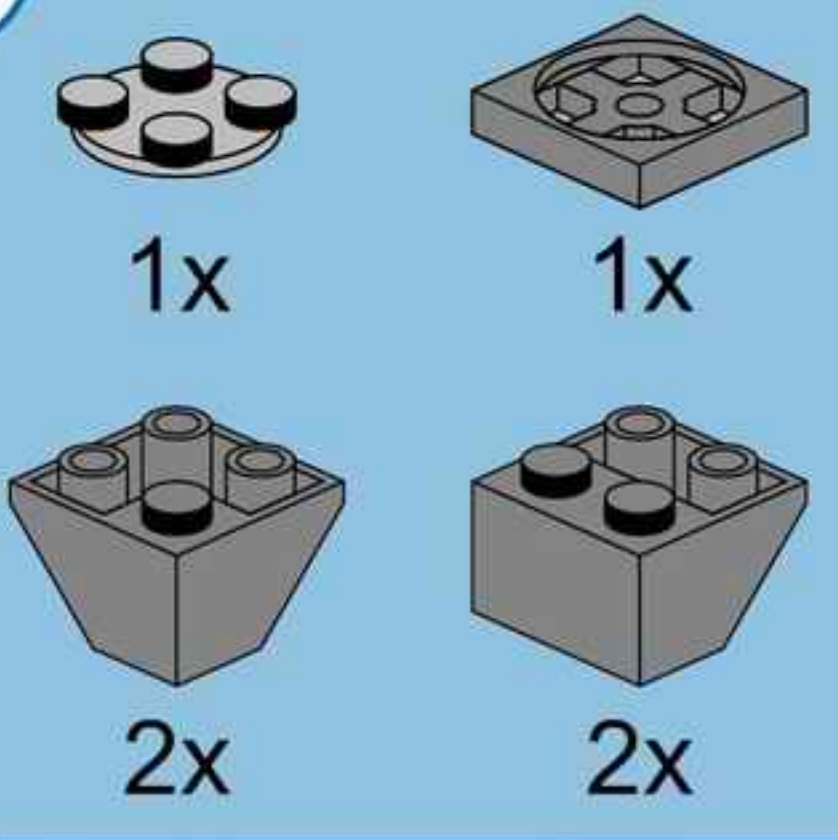
7



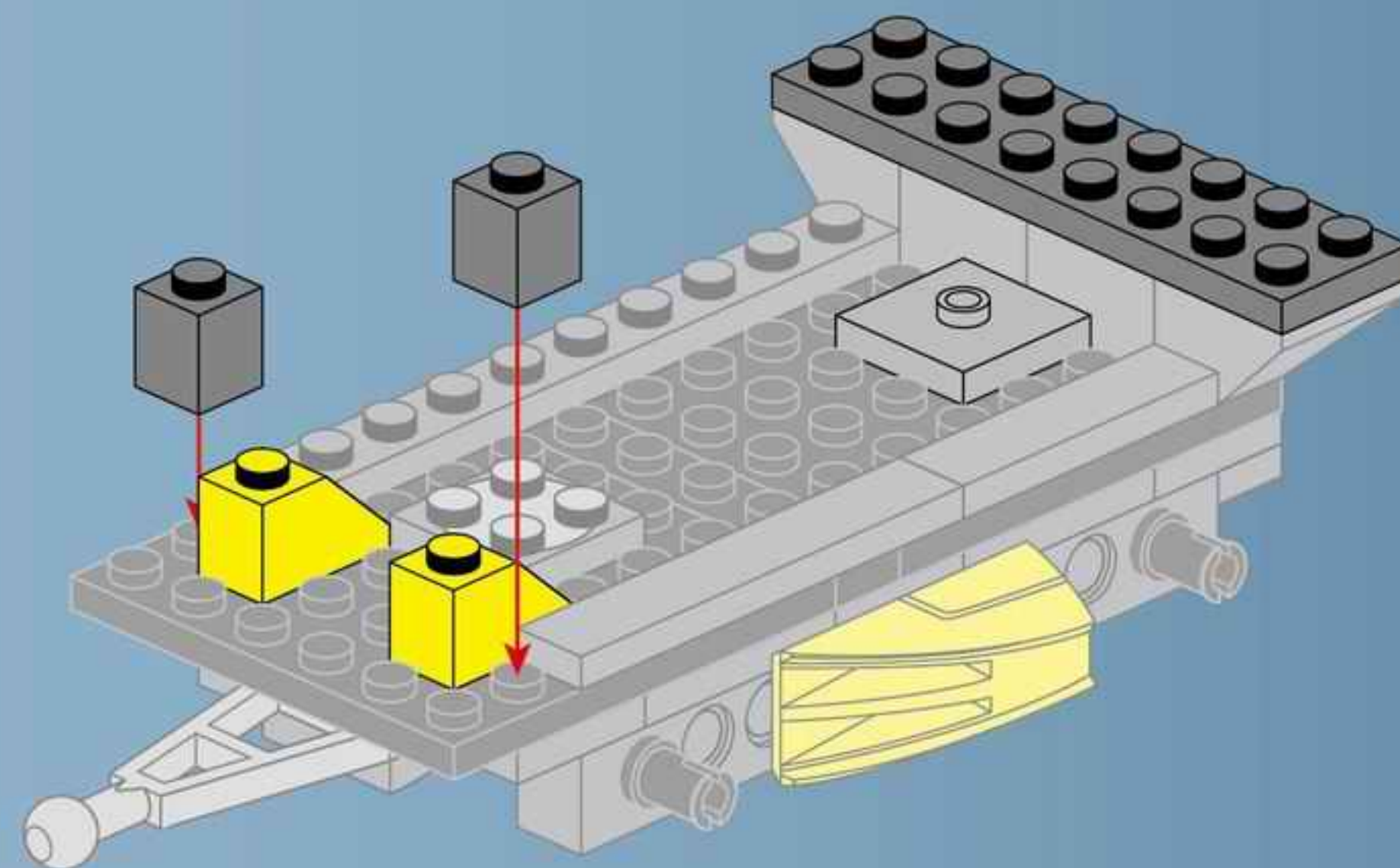
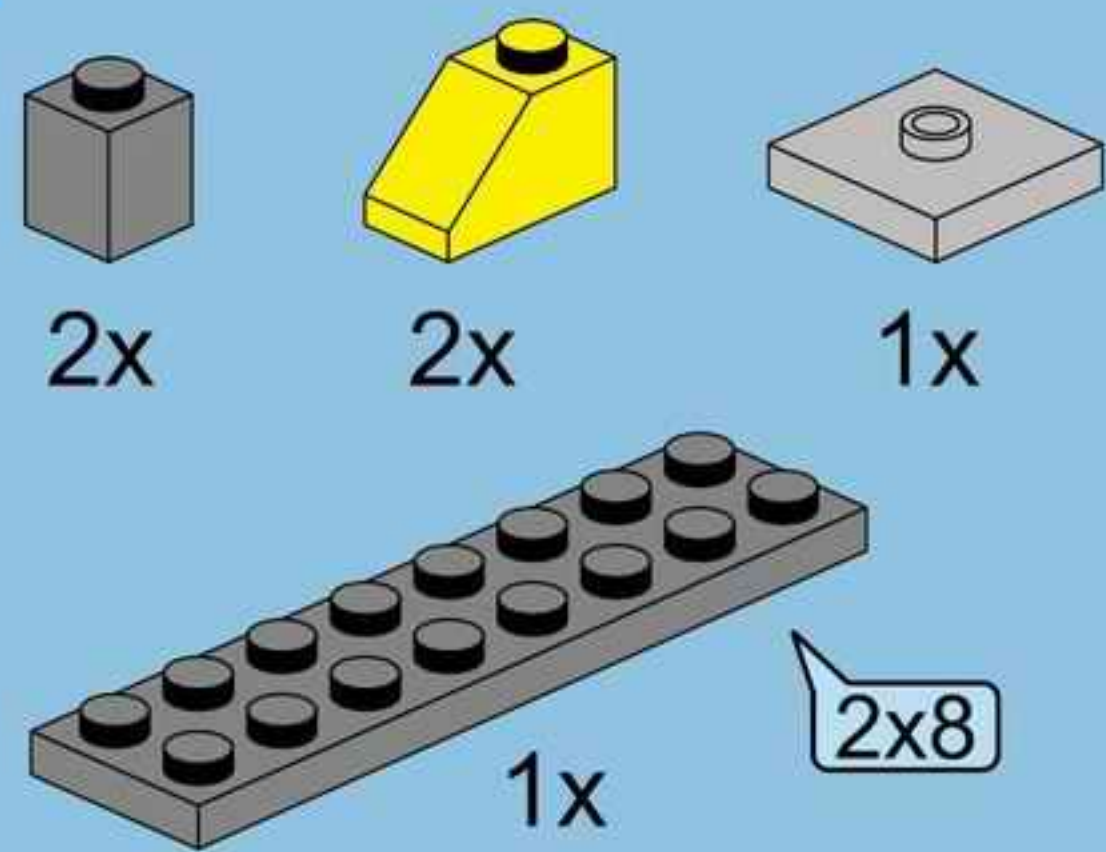
8



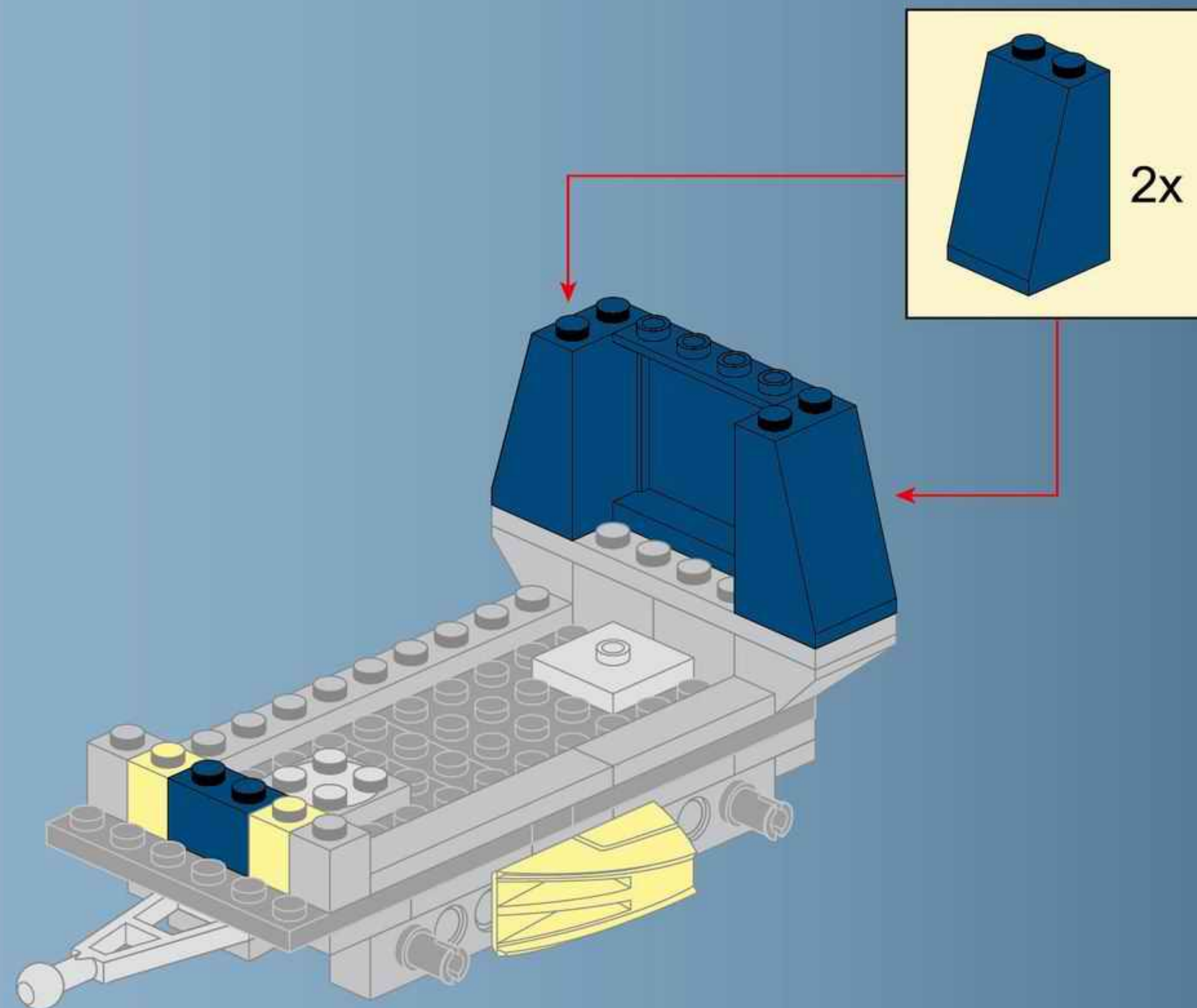
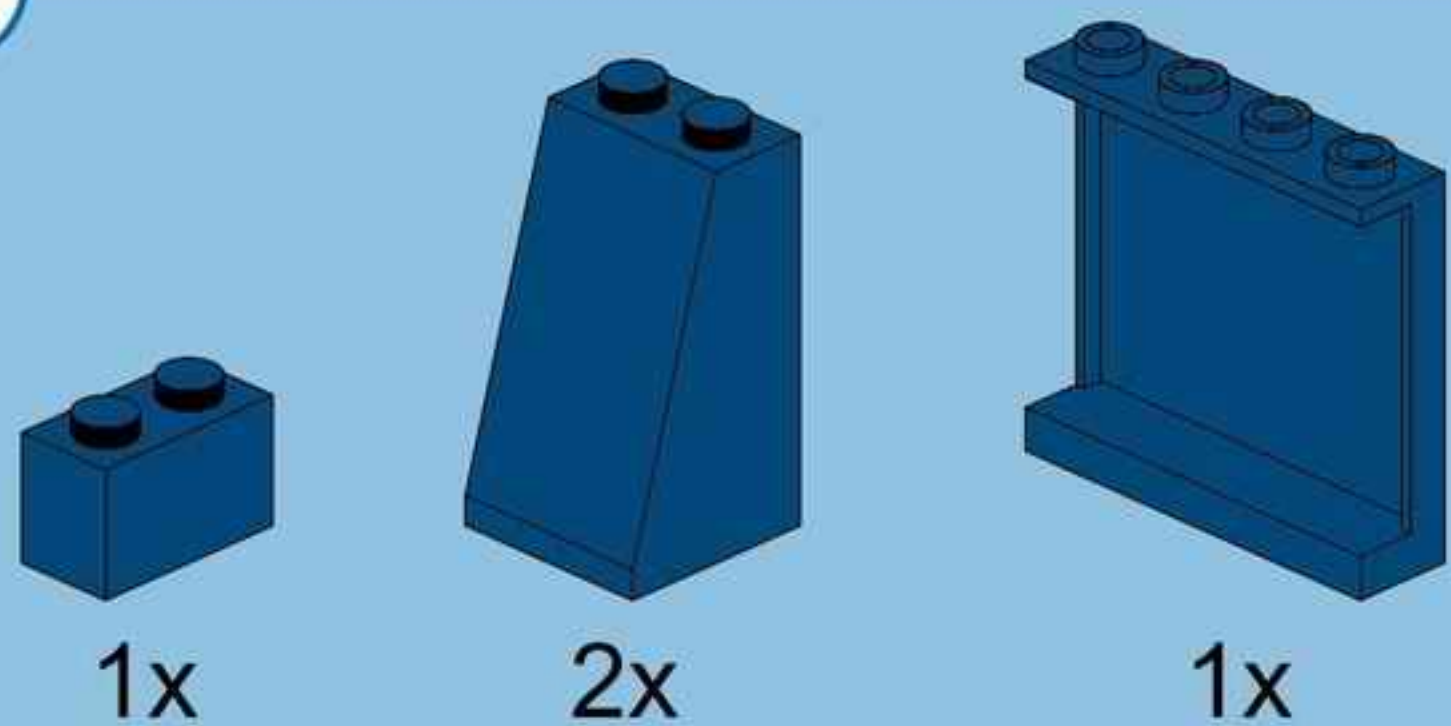
9



10



11



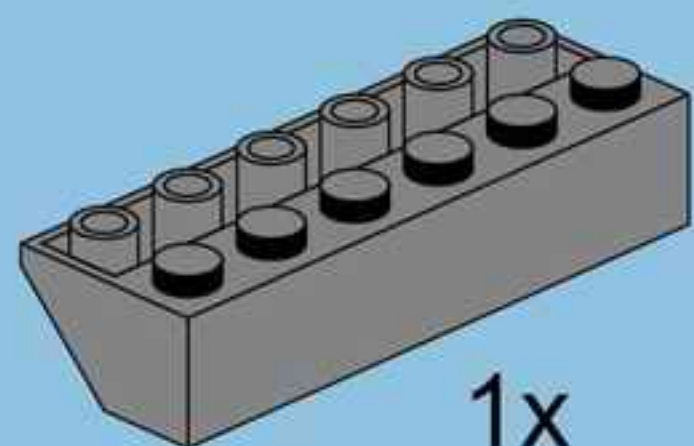
12



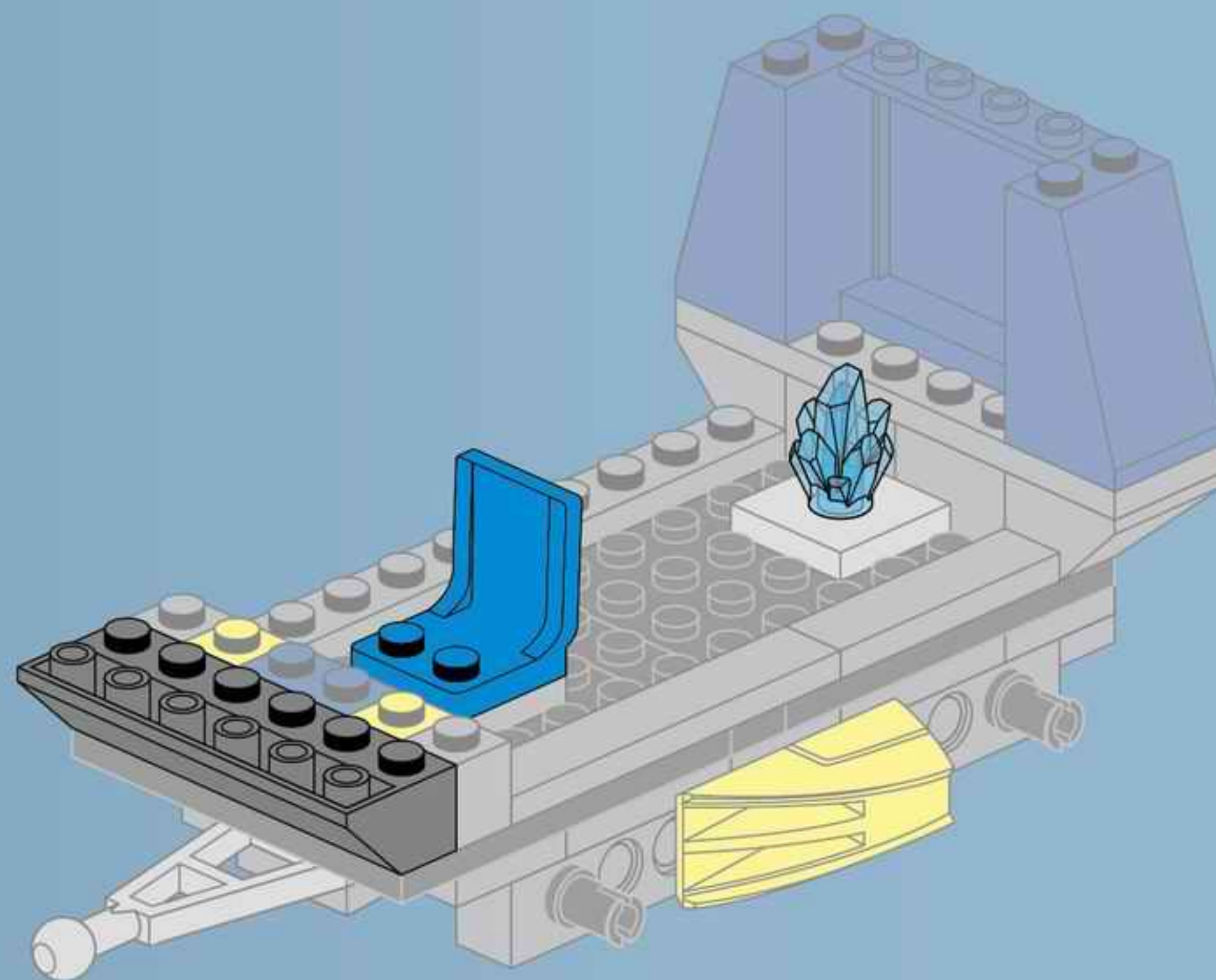
1x



1x



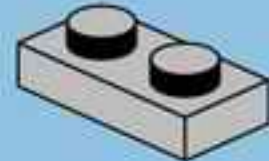
1x



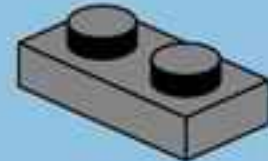
13



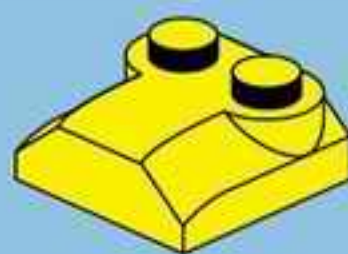
1x



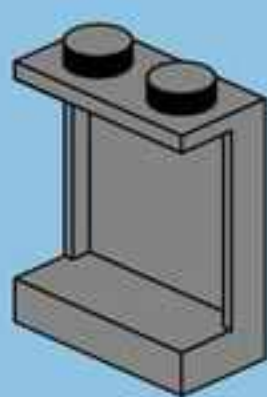
1x



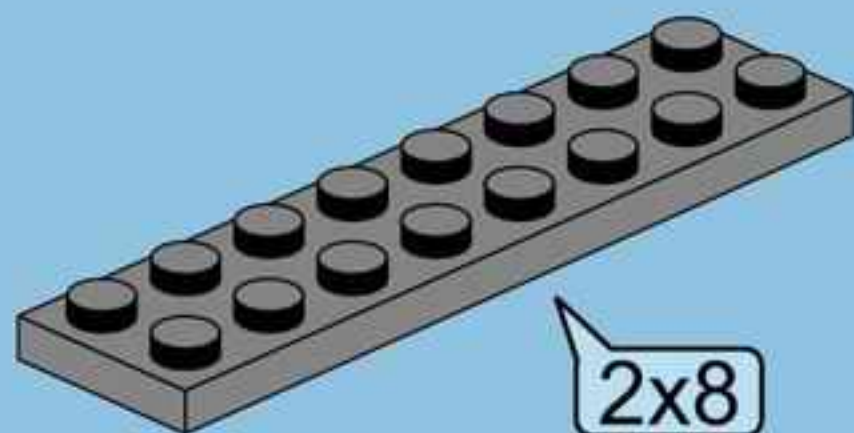
1x



1x

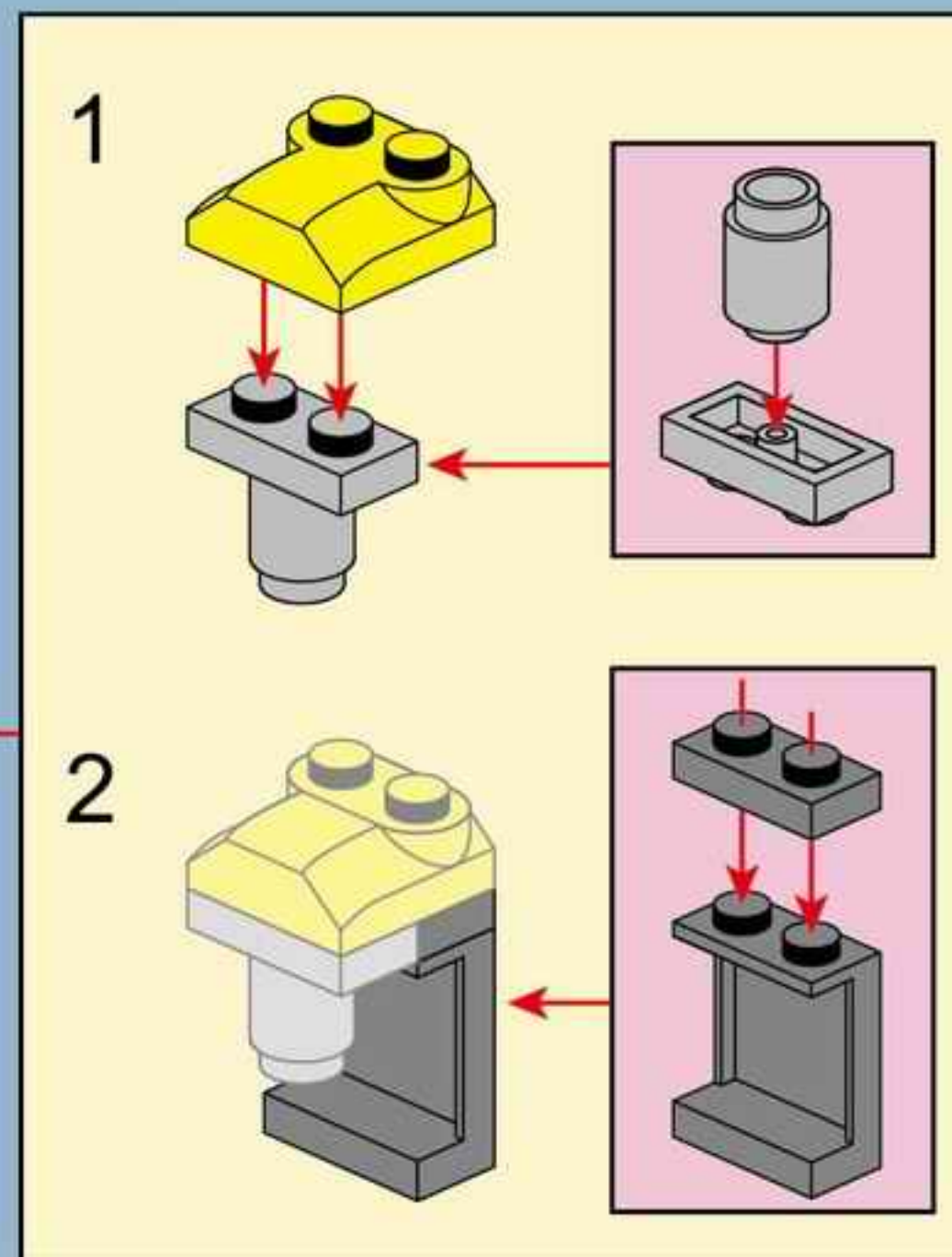
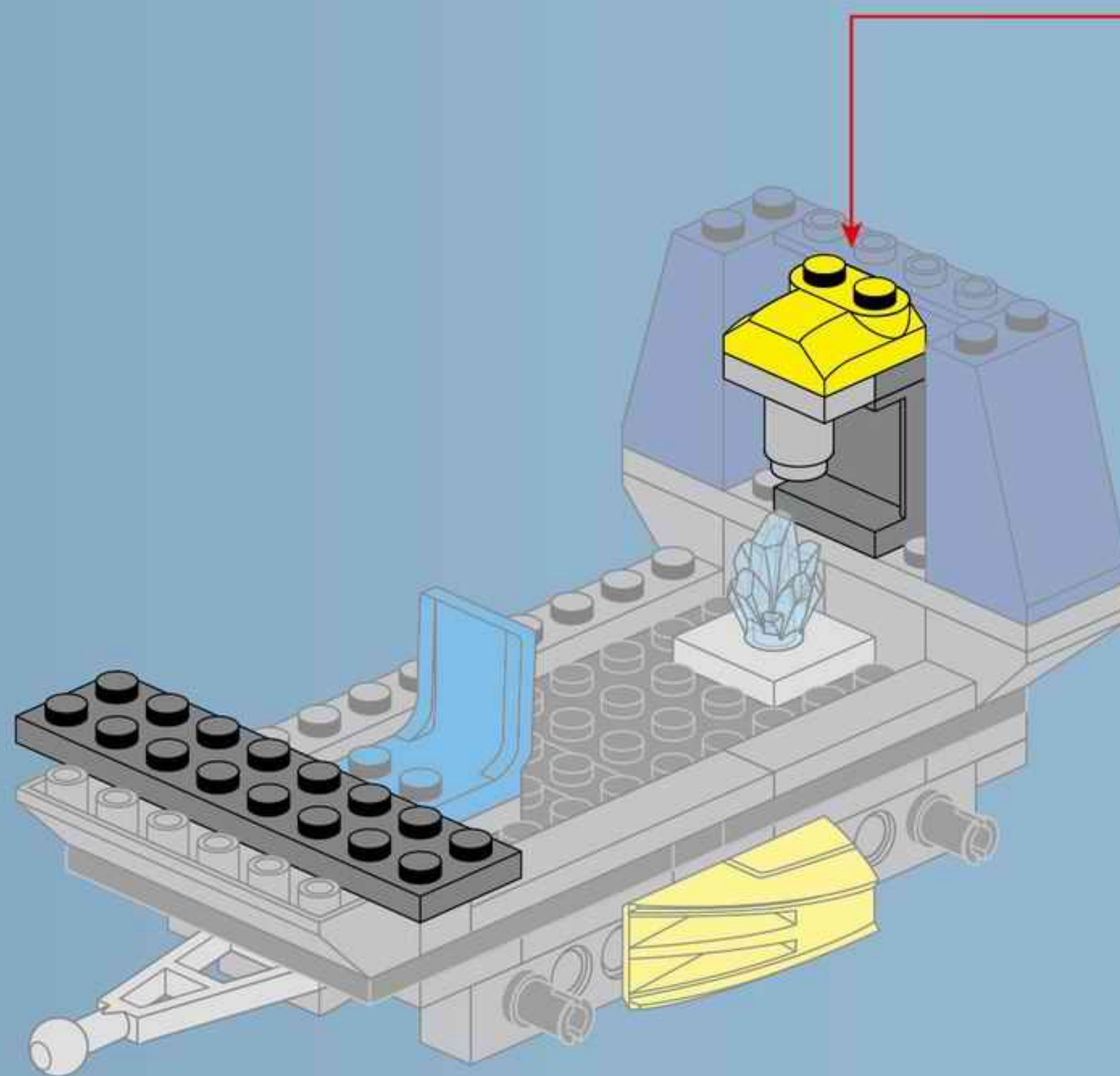


1x

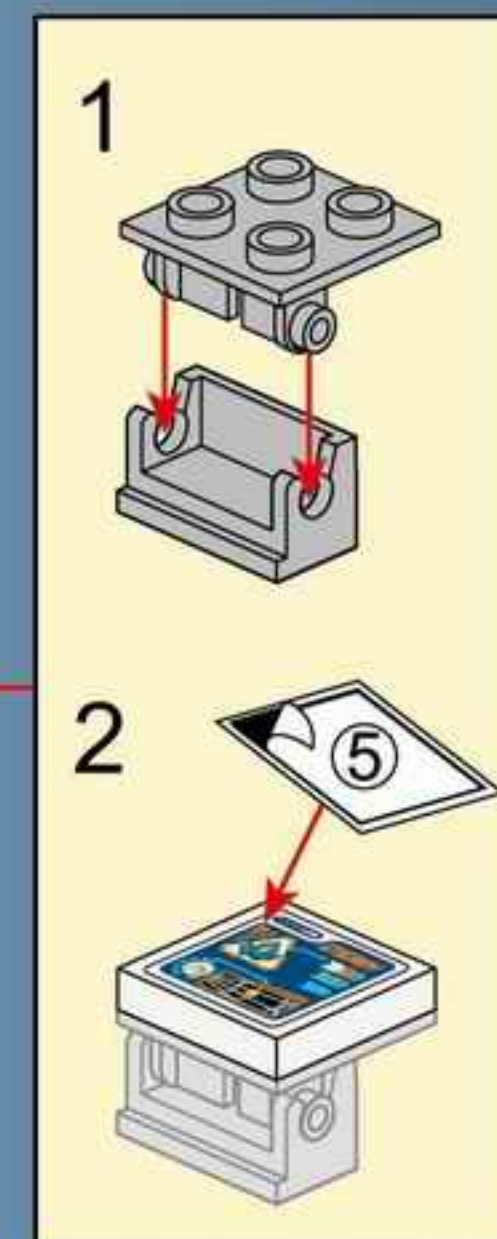
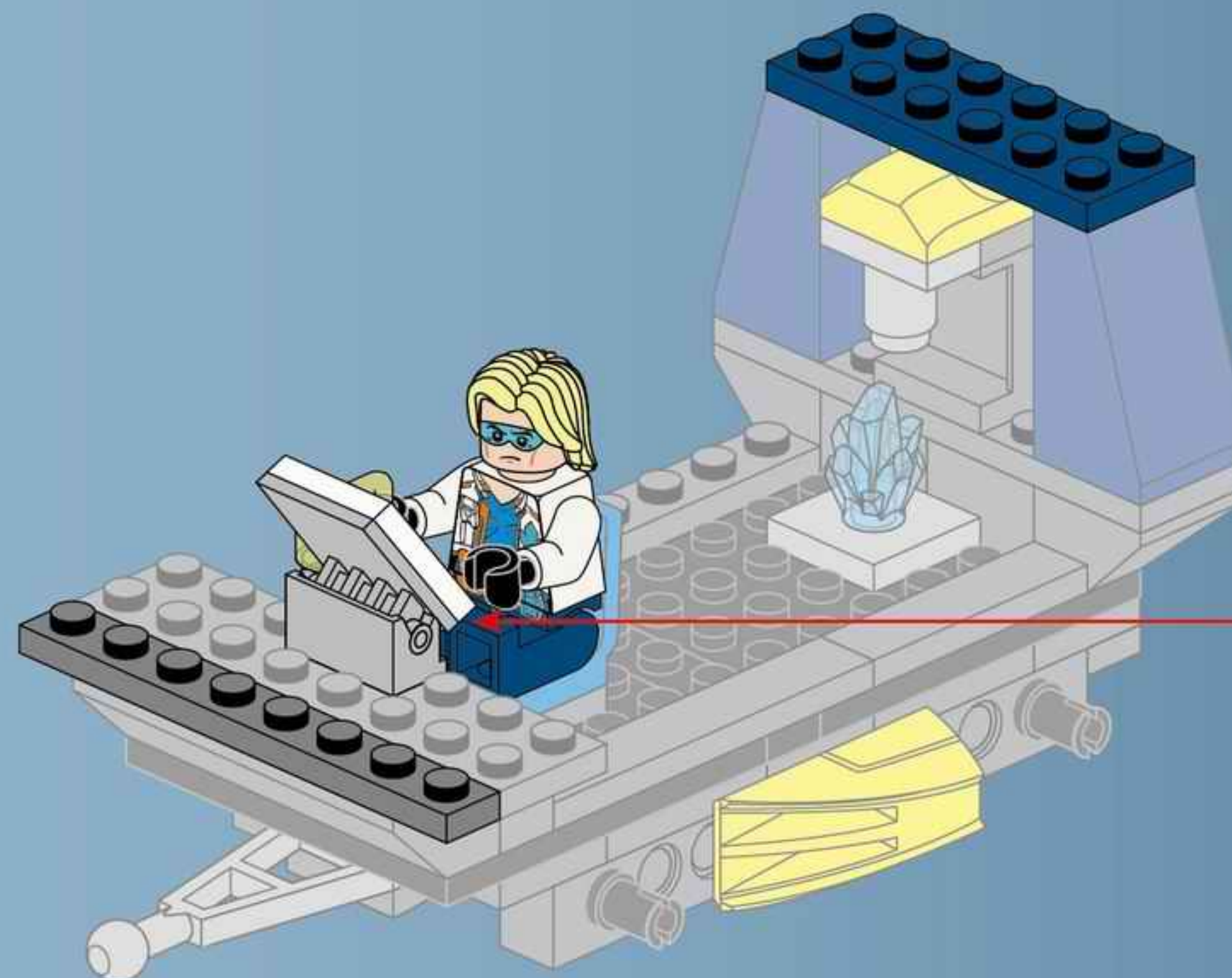
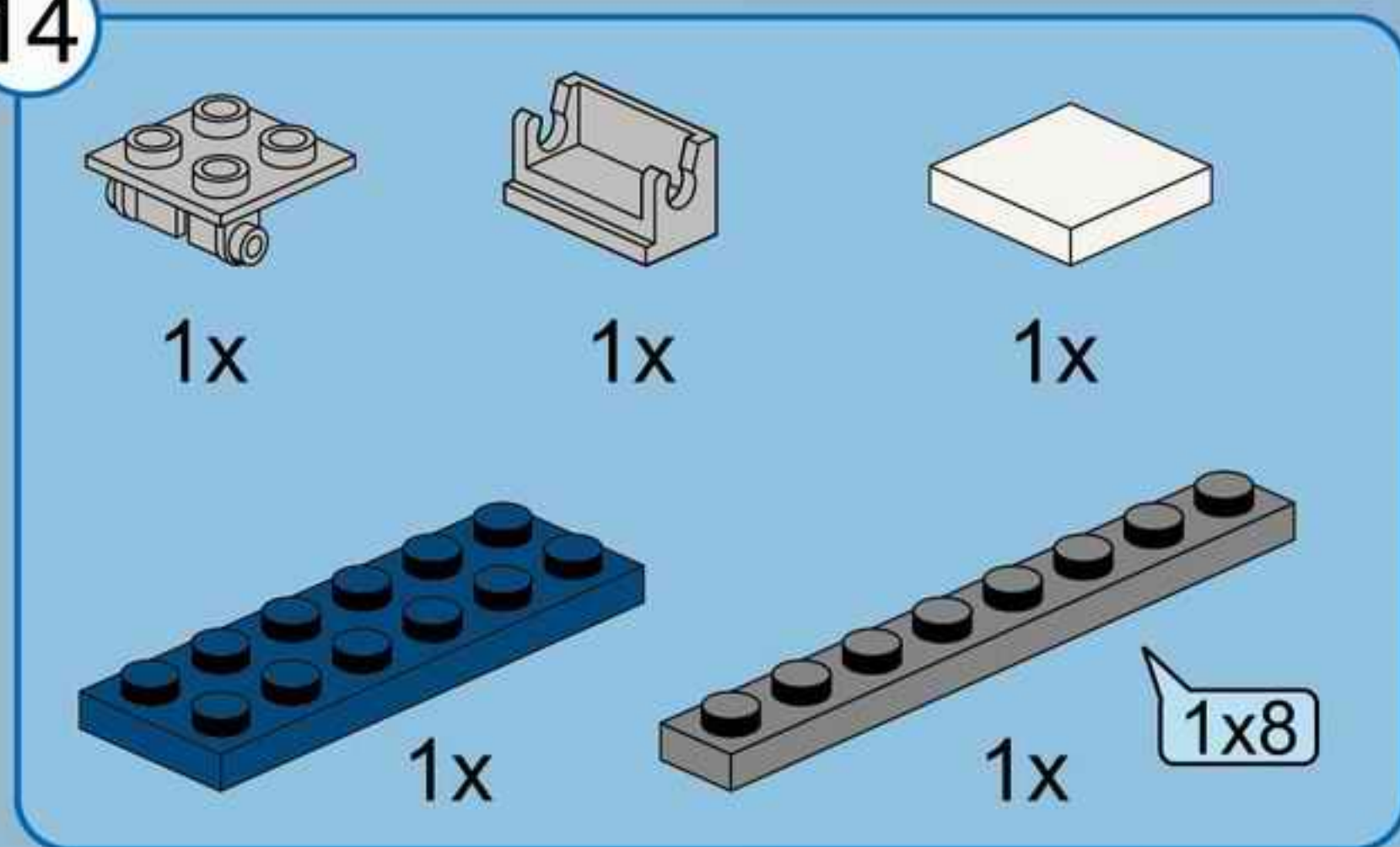


1x

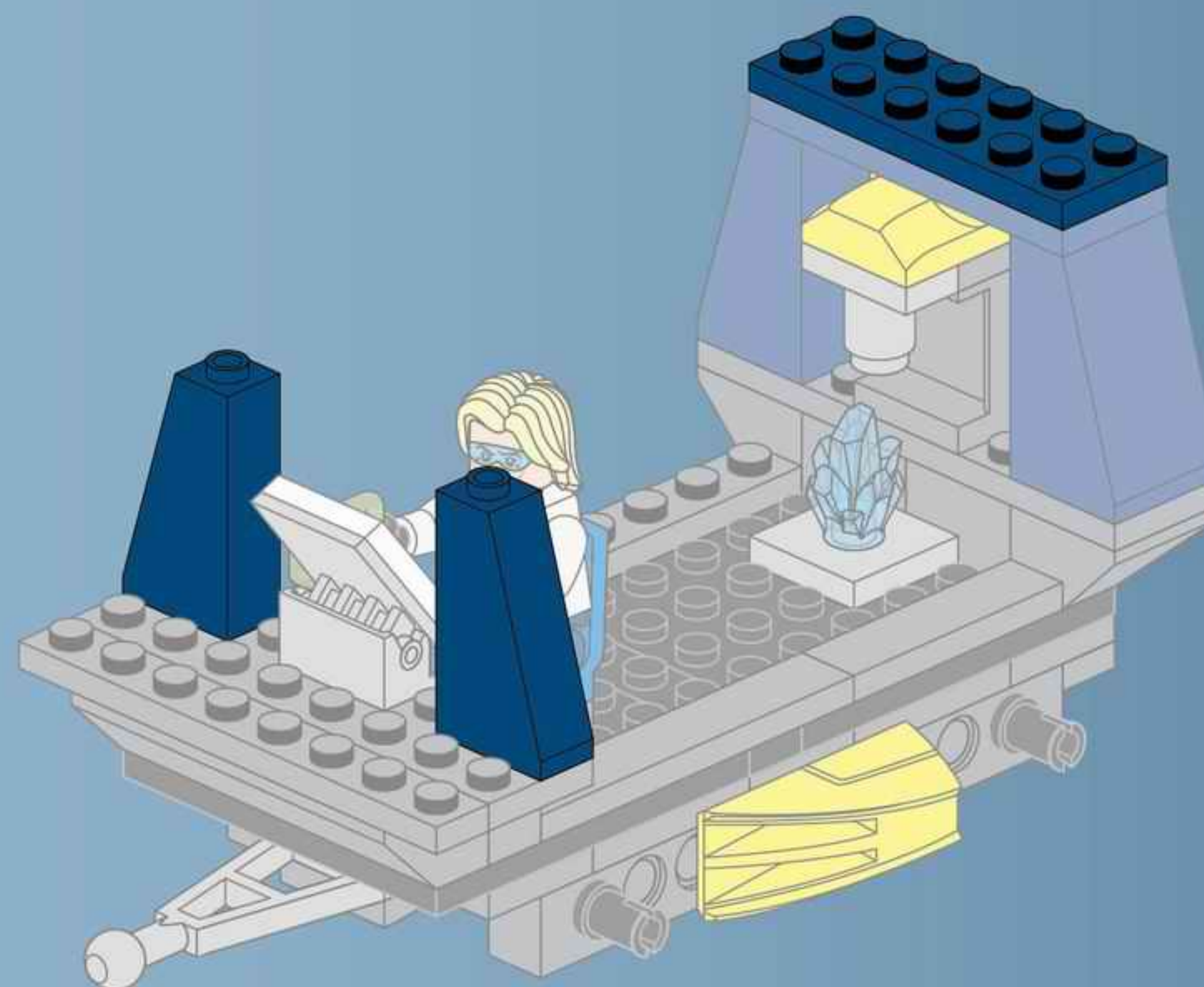
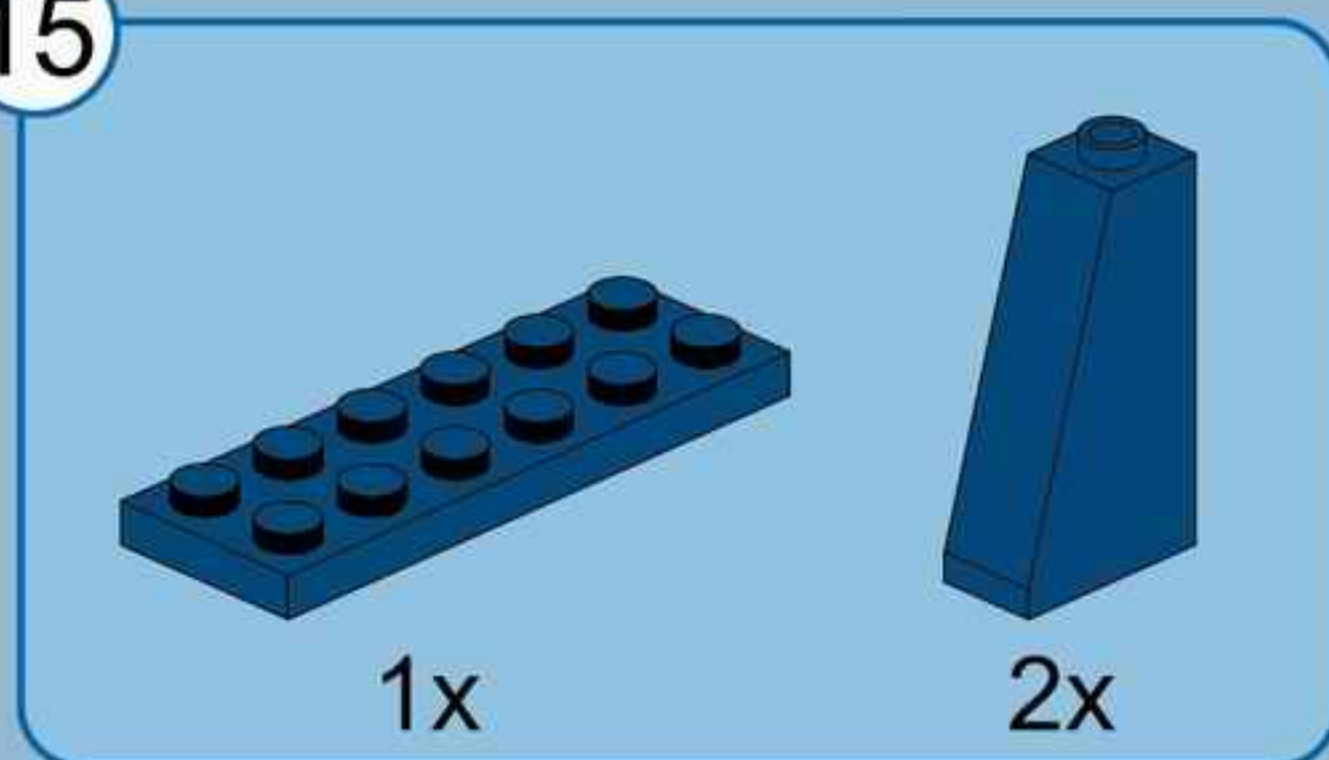
2x8



14



15

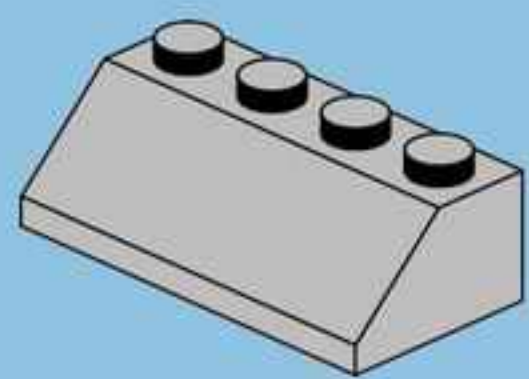




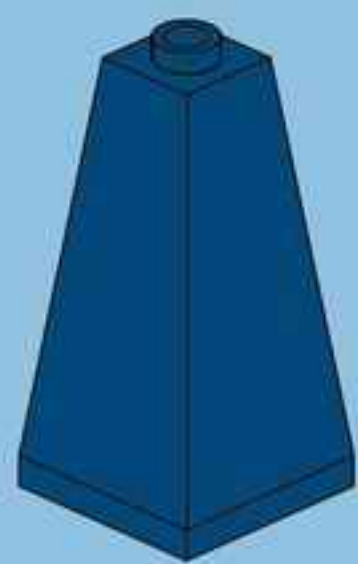
16



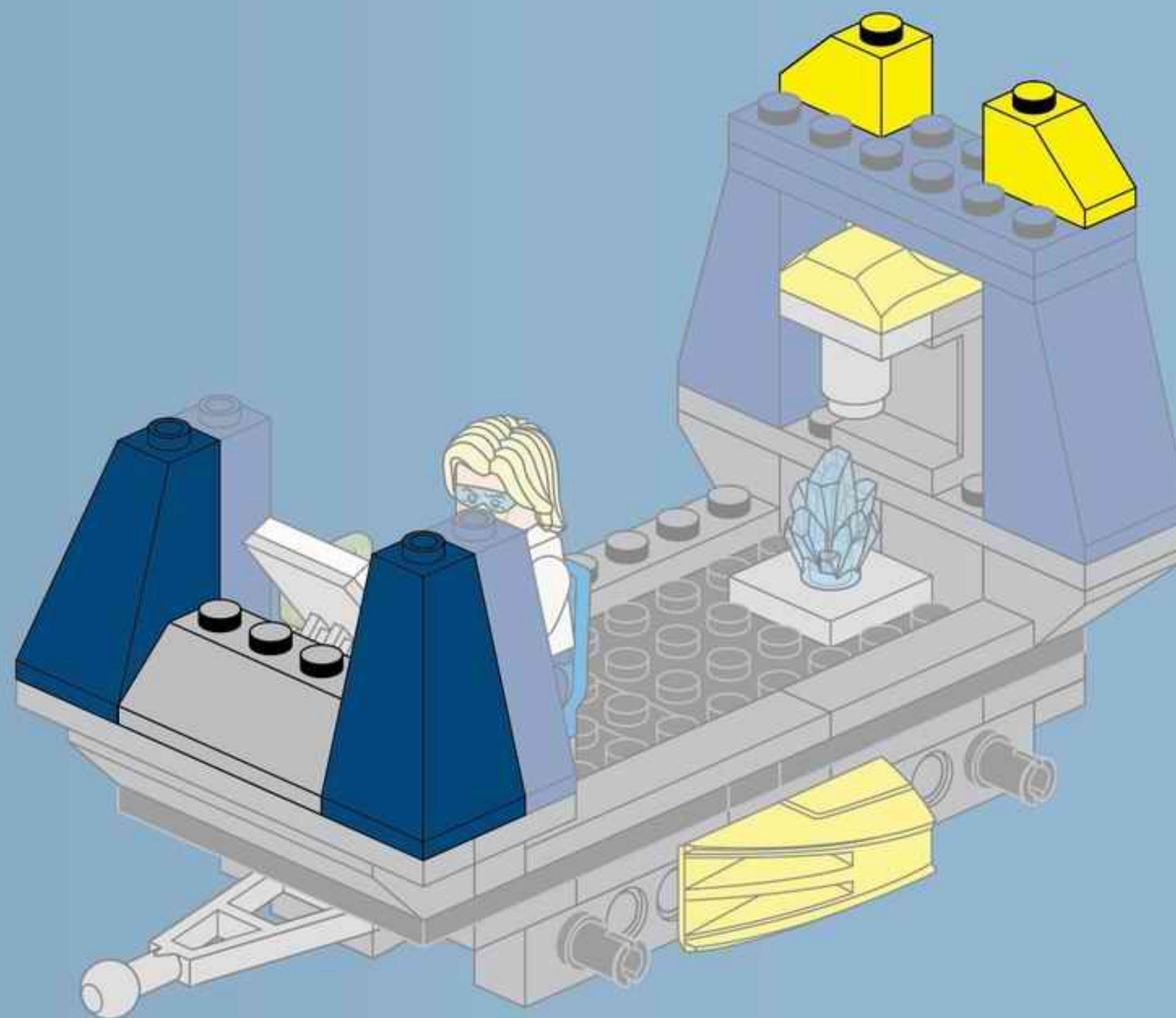
2x



1x



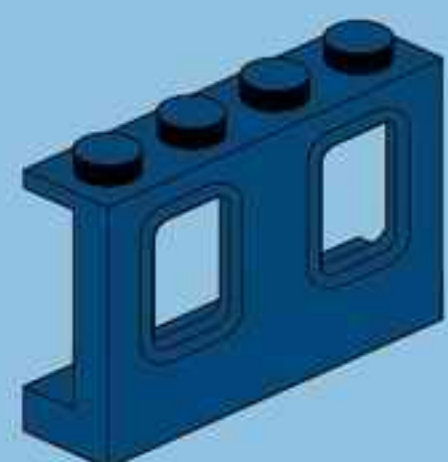
2x



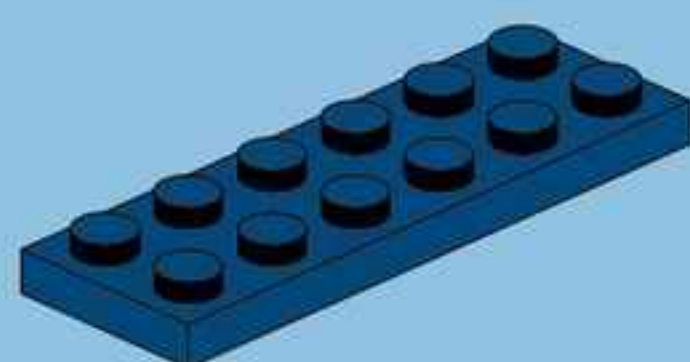
17



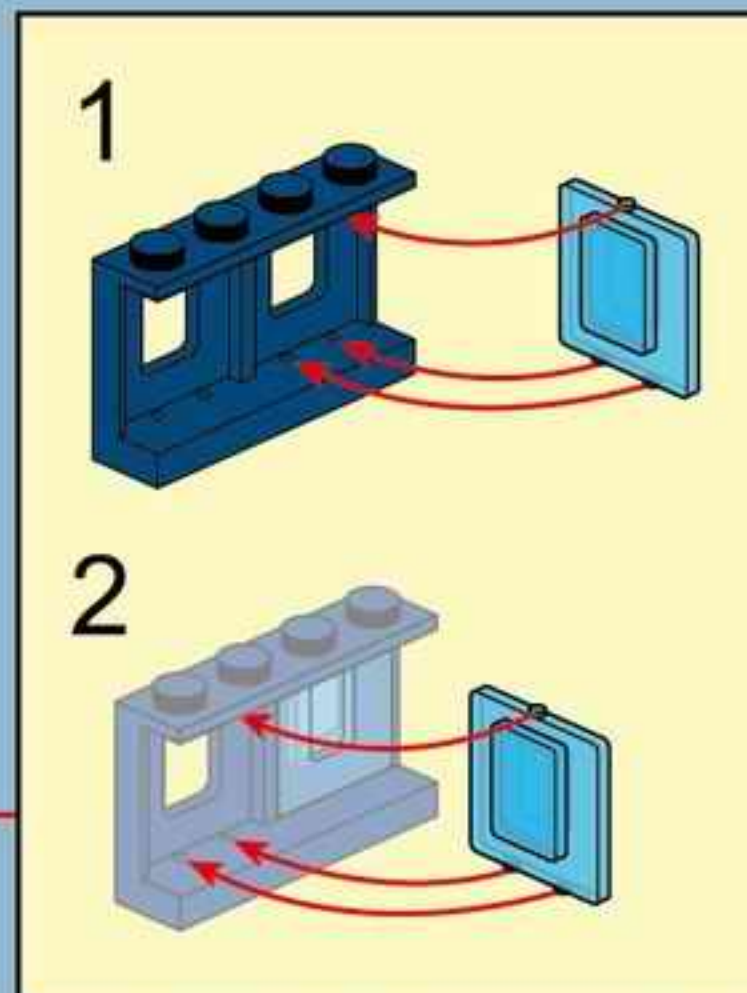
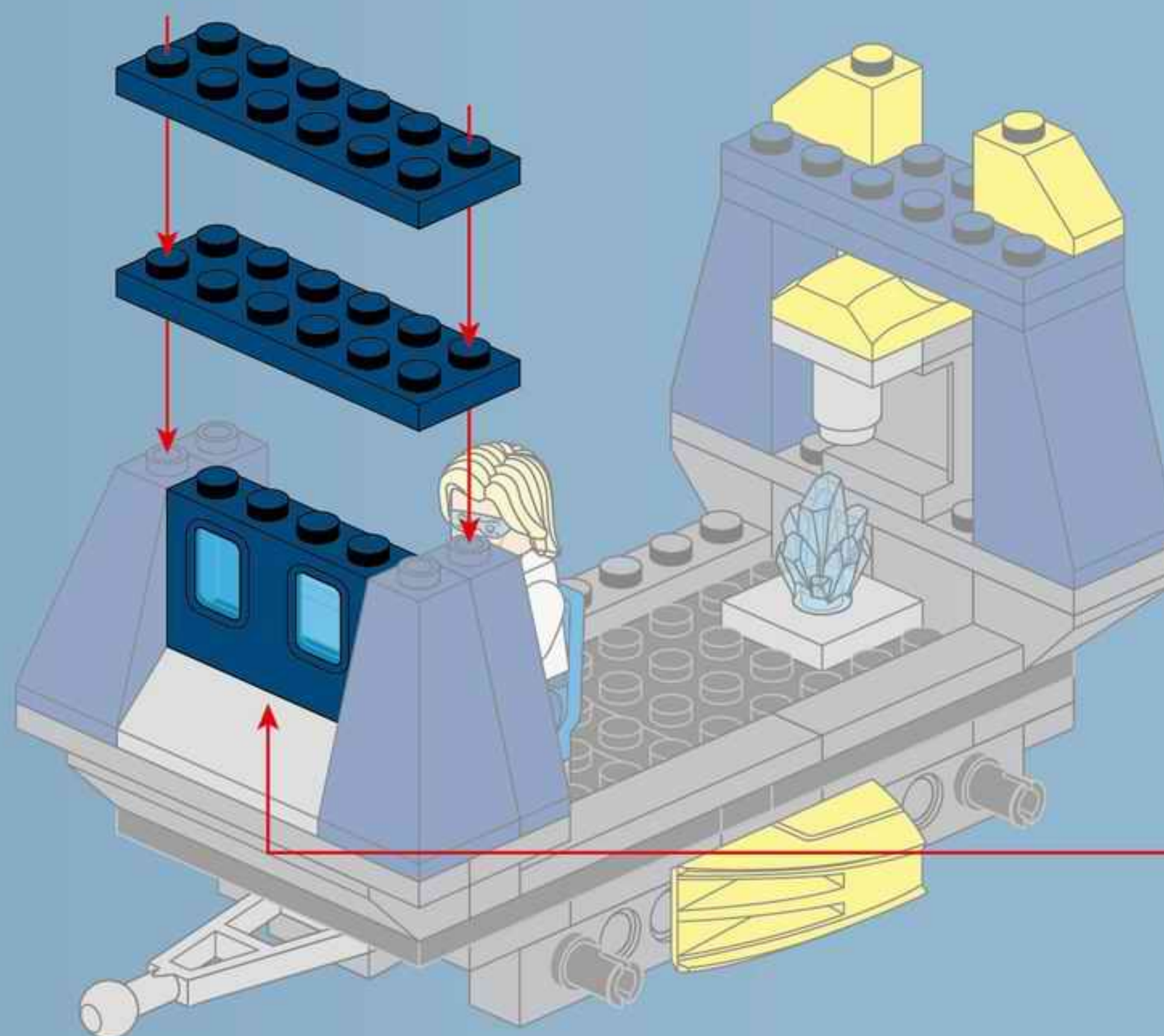
2x



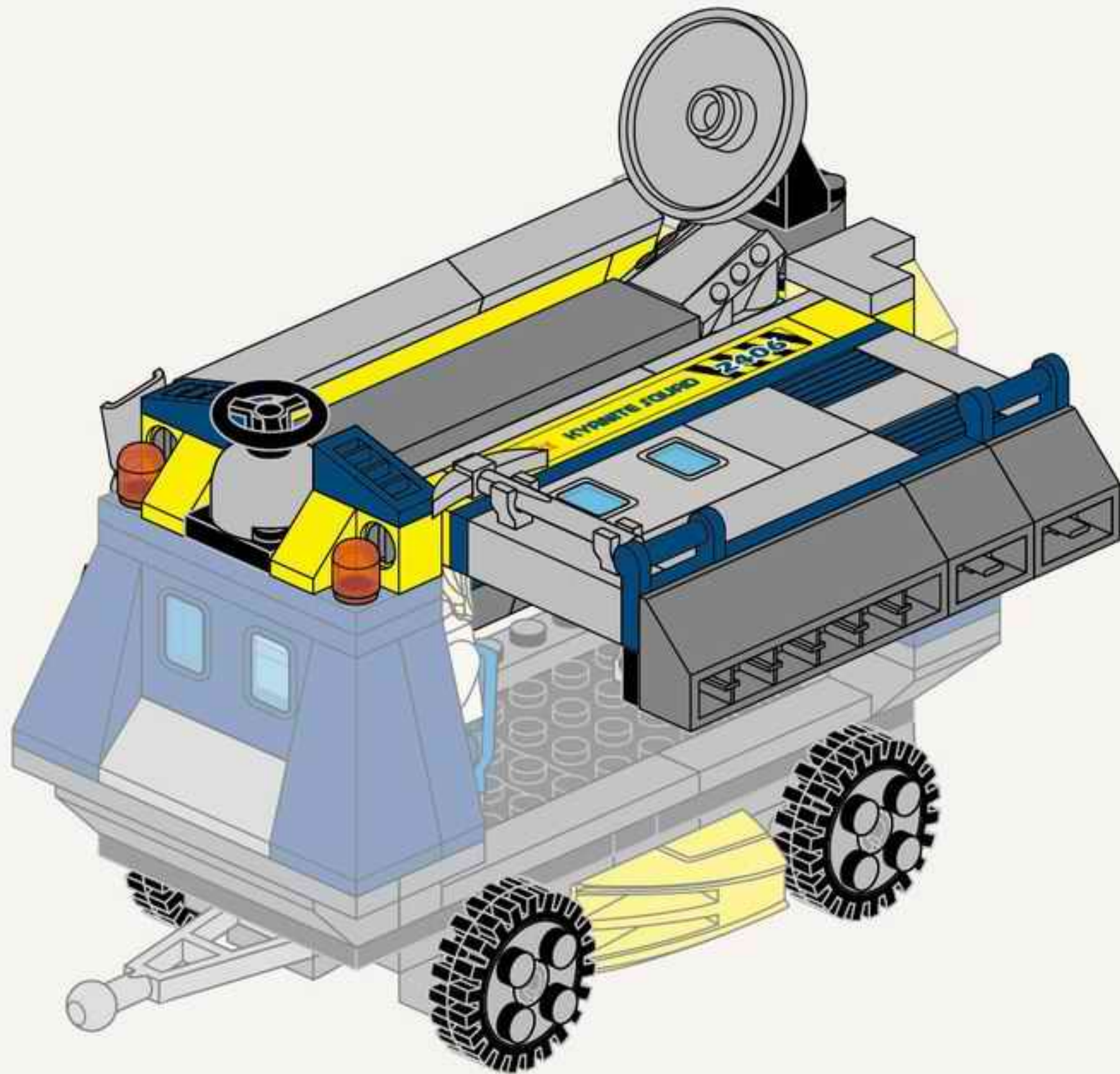
1x



2x



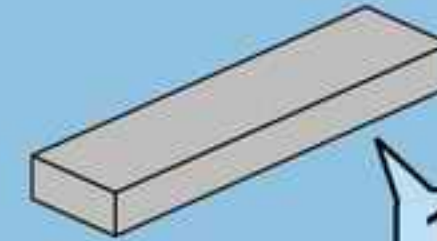
18



2x

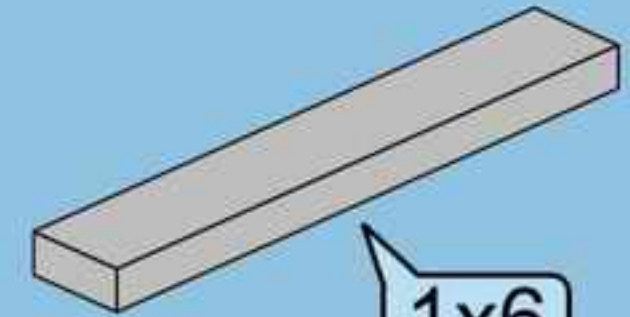


4x



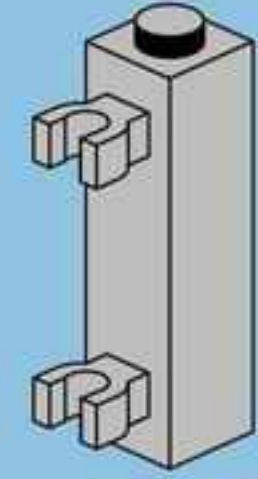
1x

1x4



1x

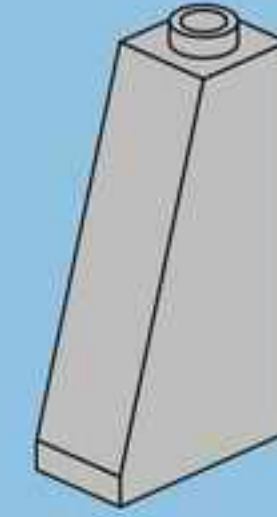
1x6



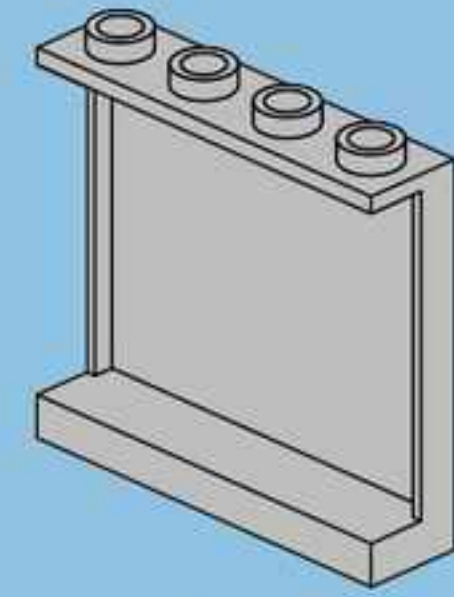
1x



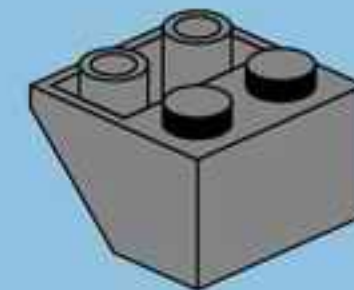
1x



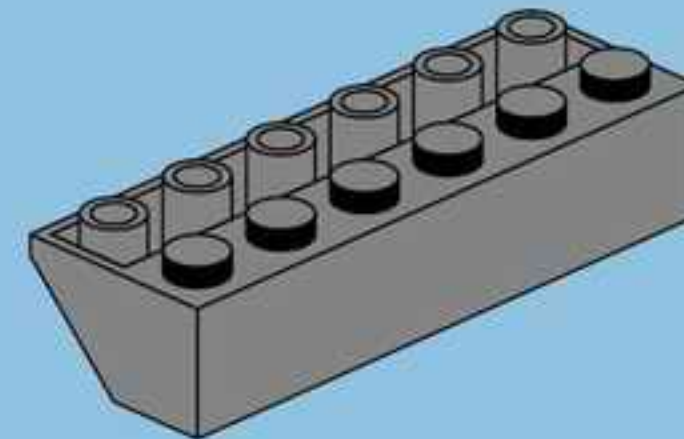
1x



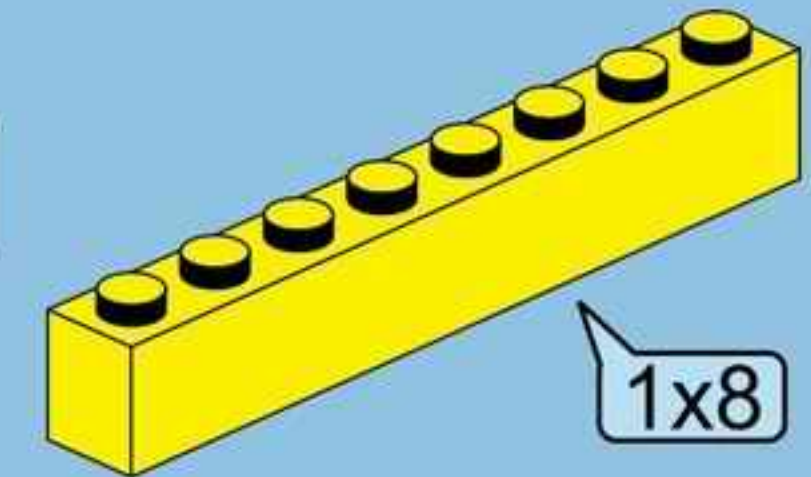
2x



2x

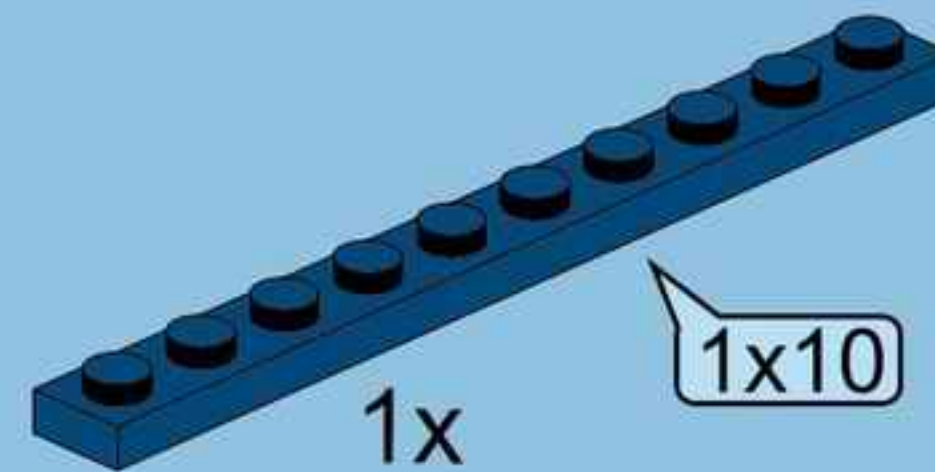


1x



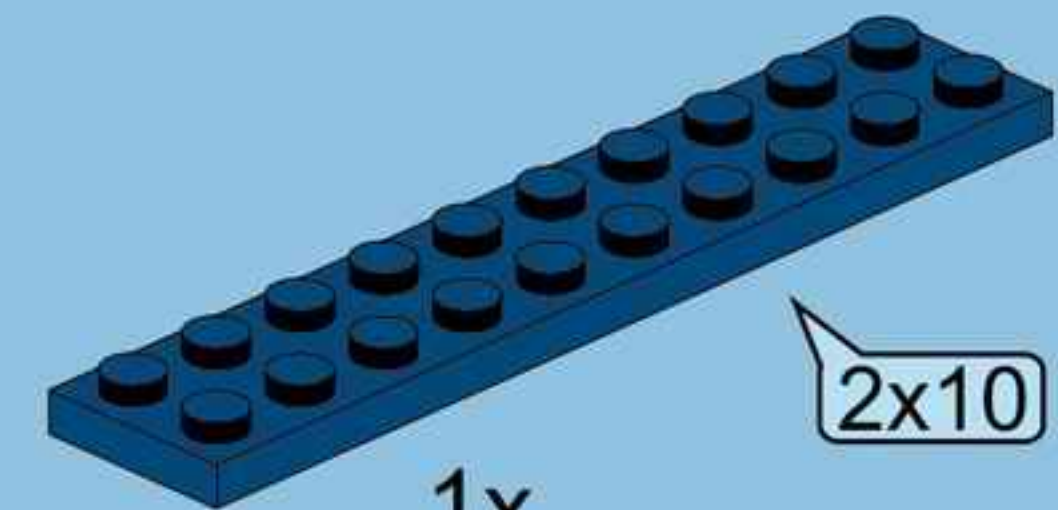
1x

1x8



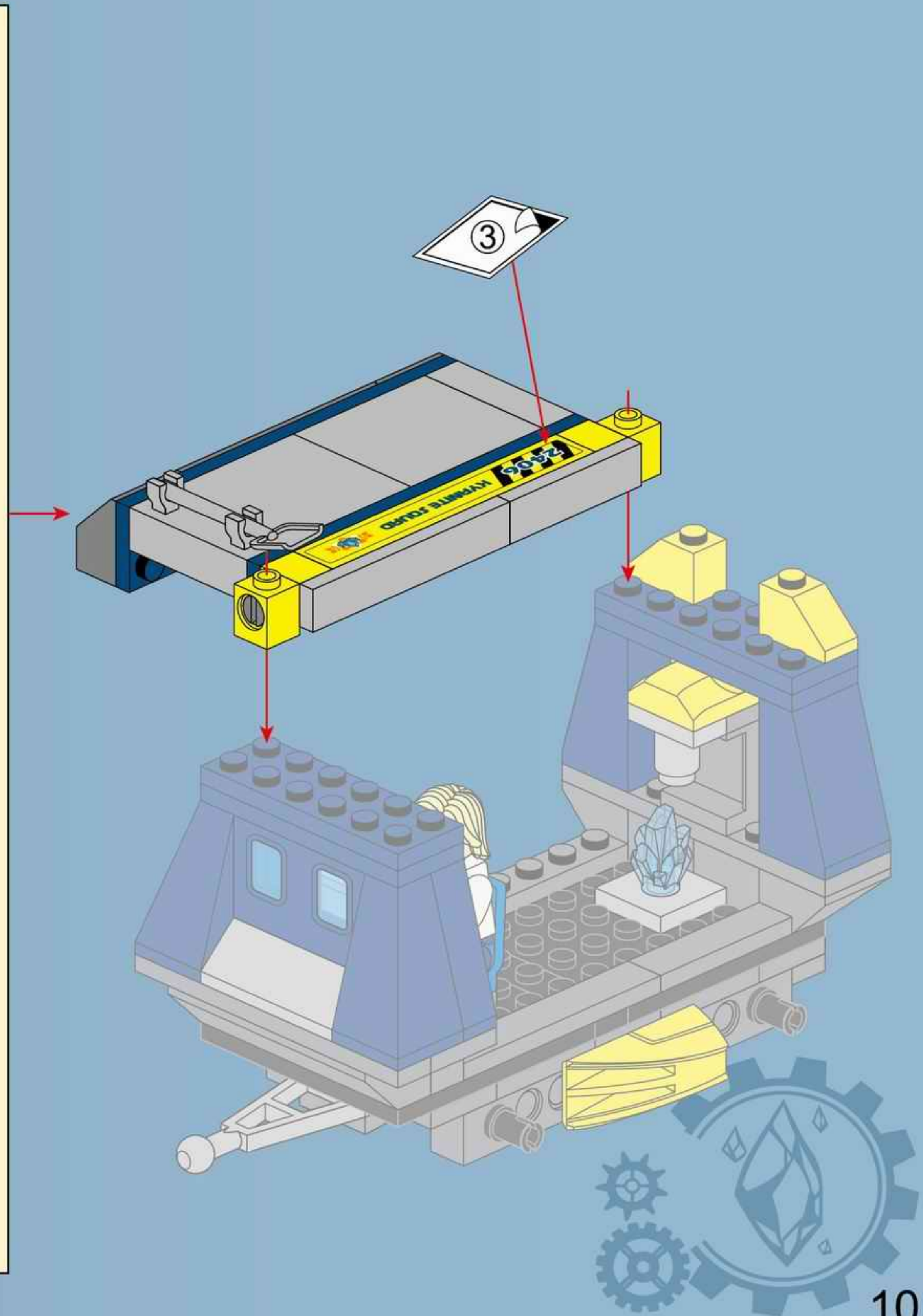
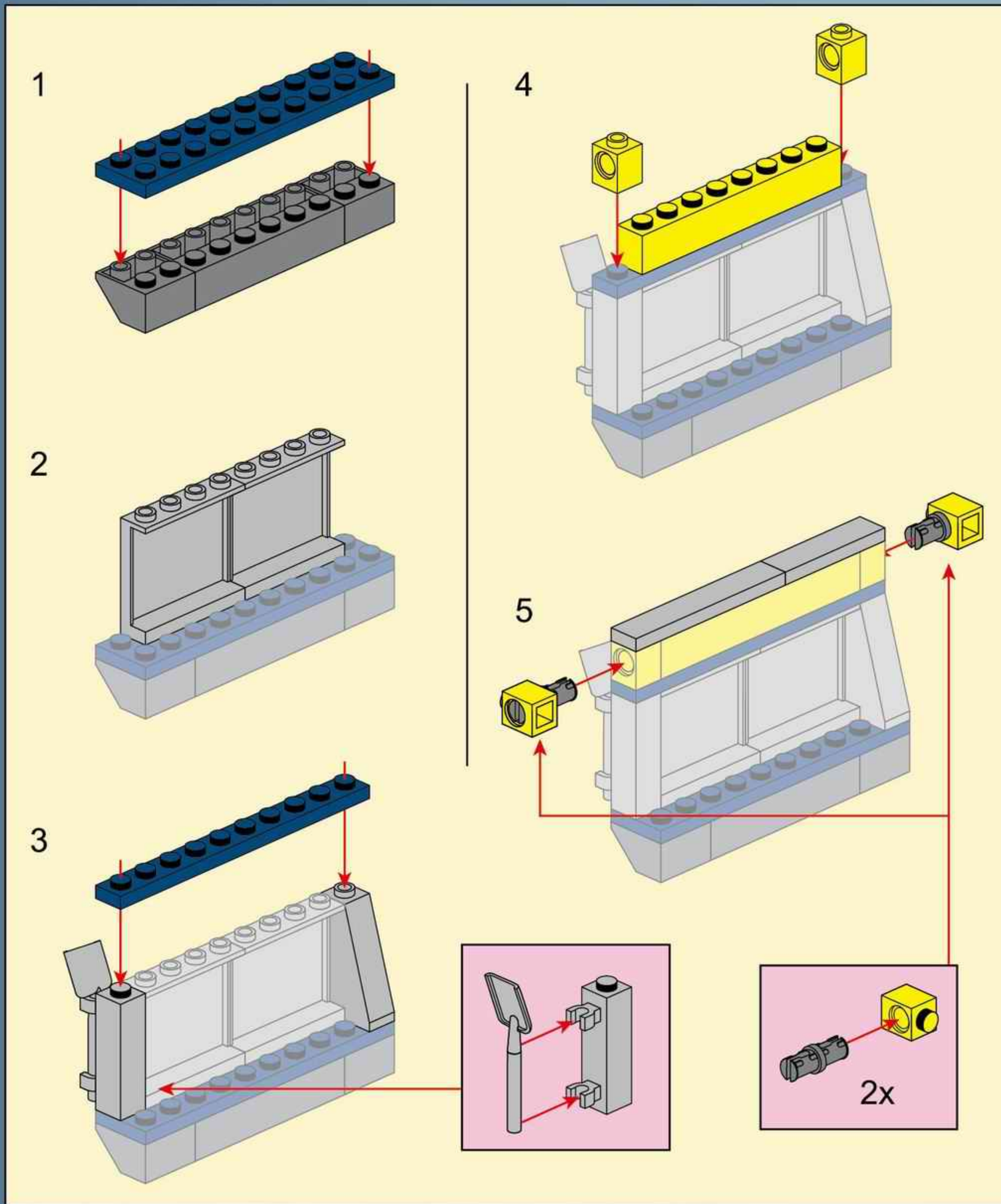
1x

1x10



1x

2x10



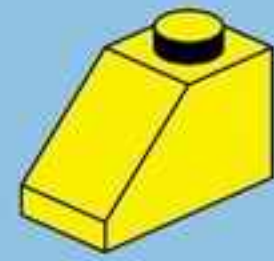
19



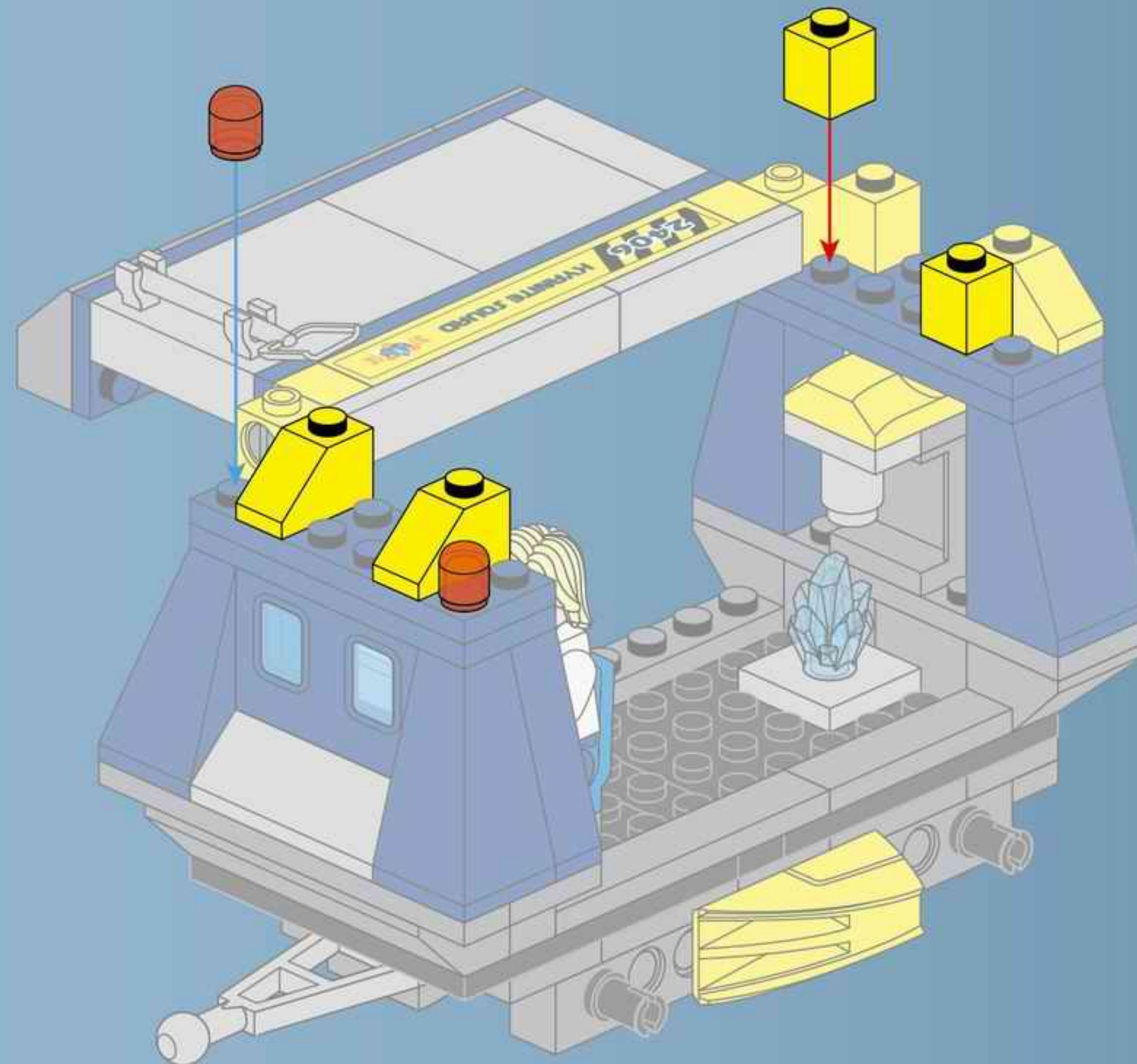
2x



2x



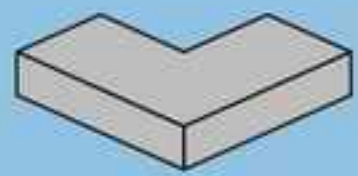
2x



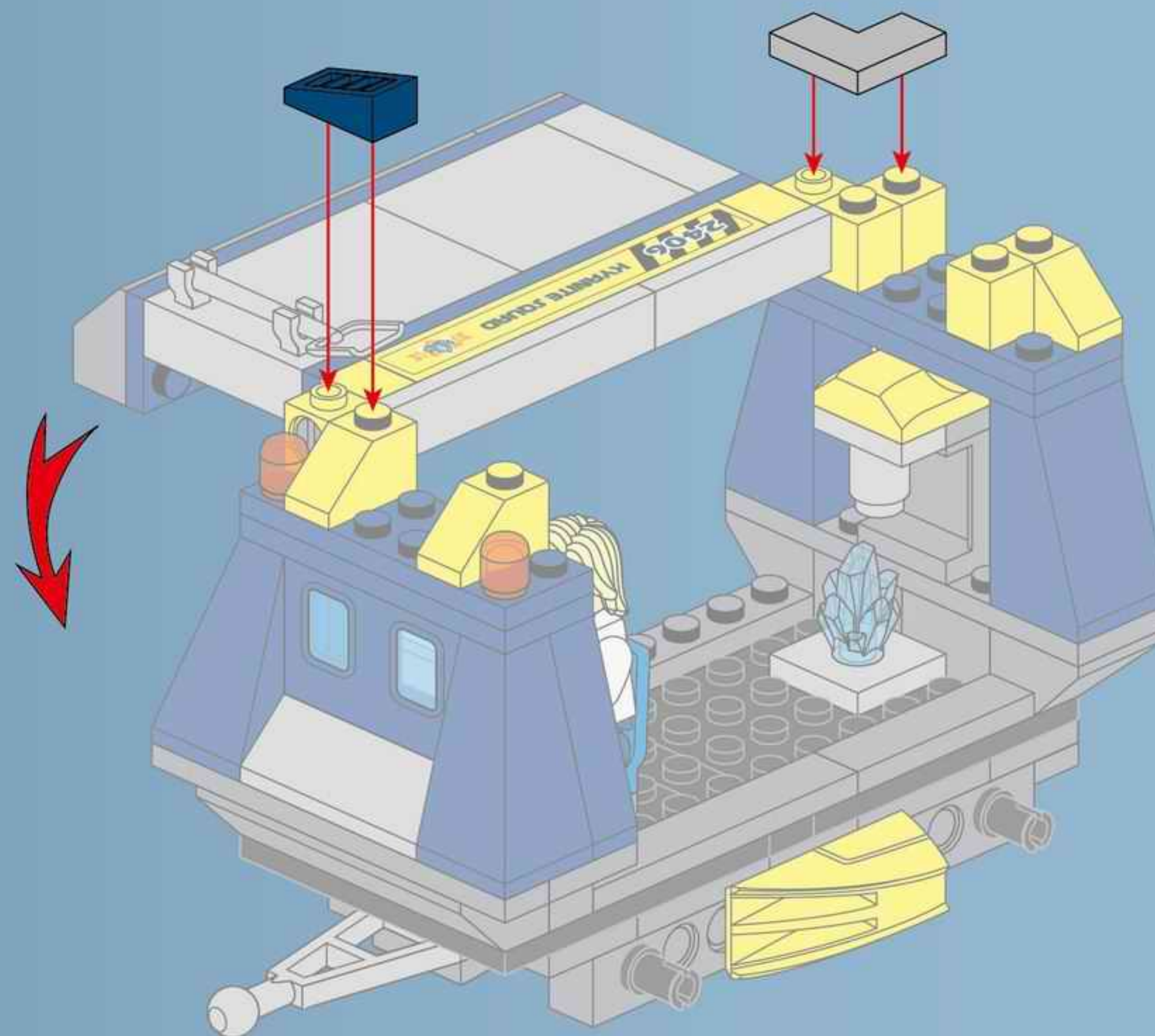
20



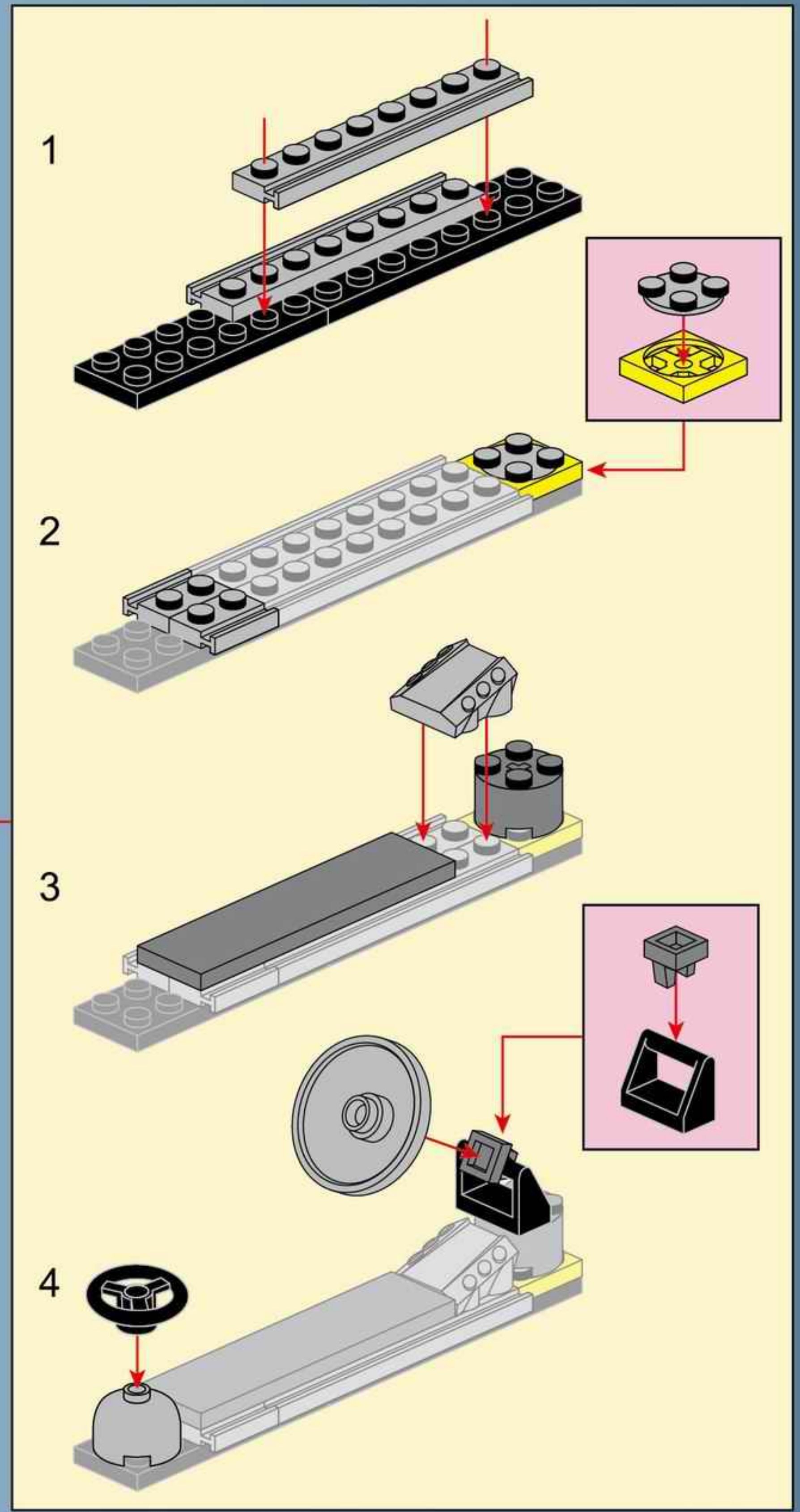
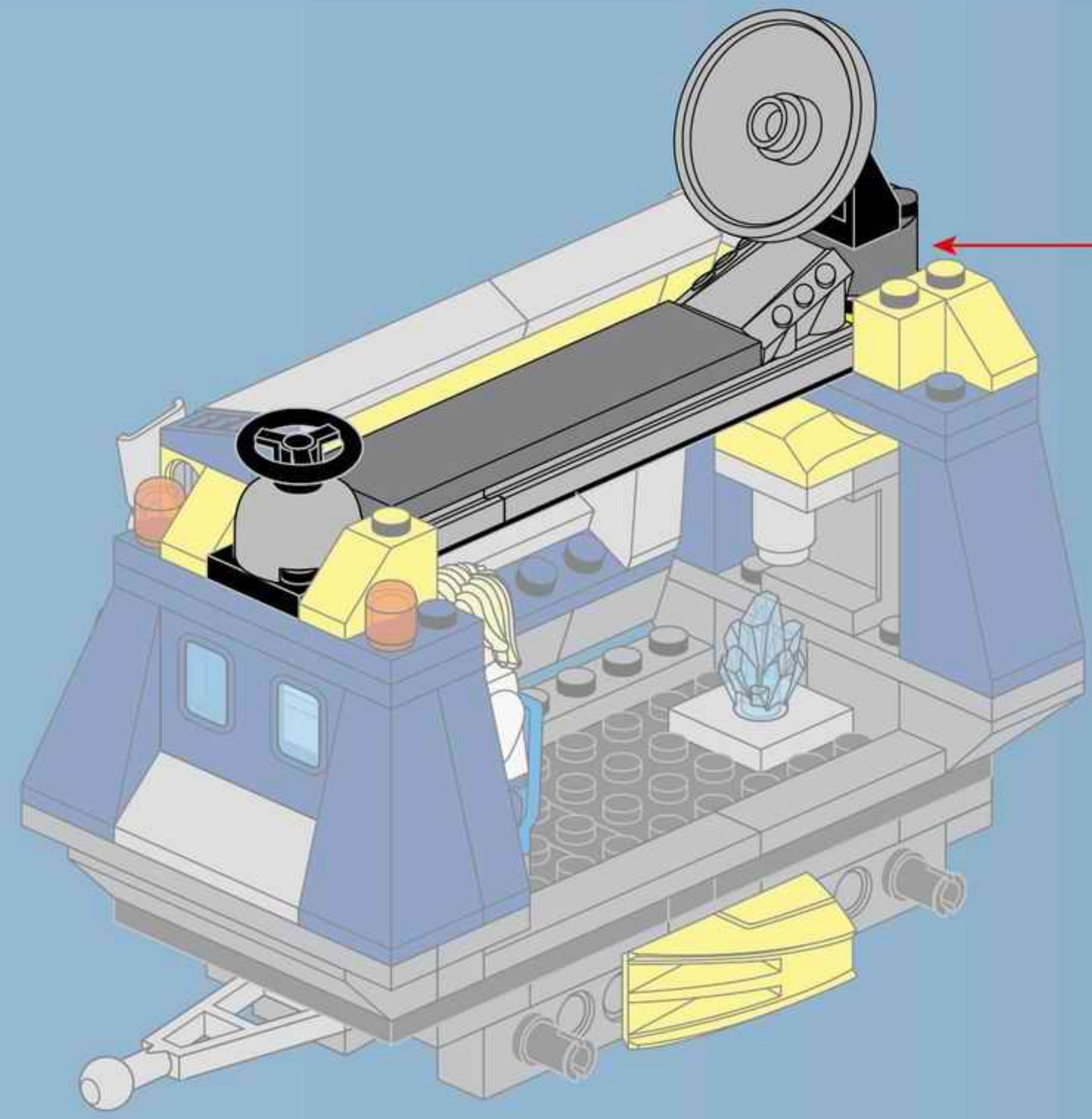
1x

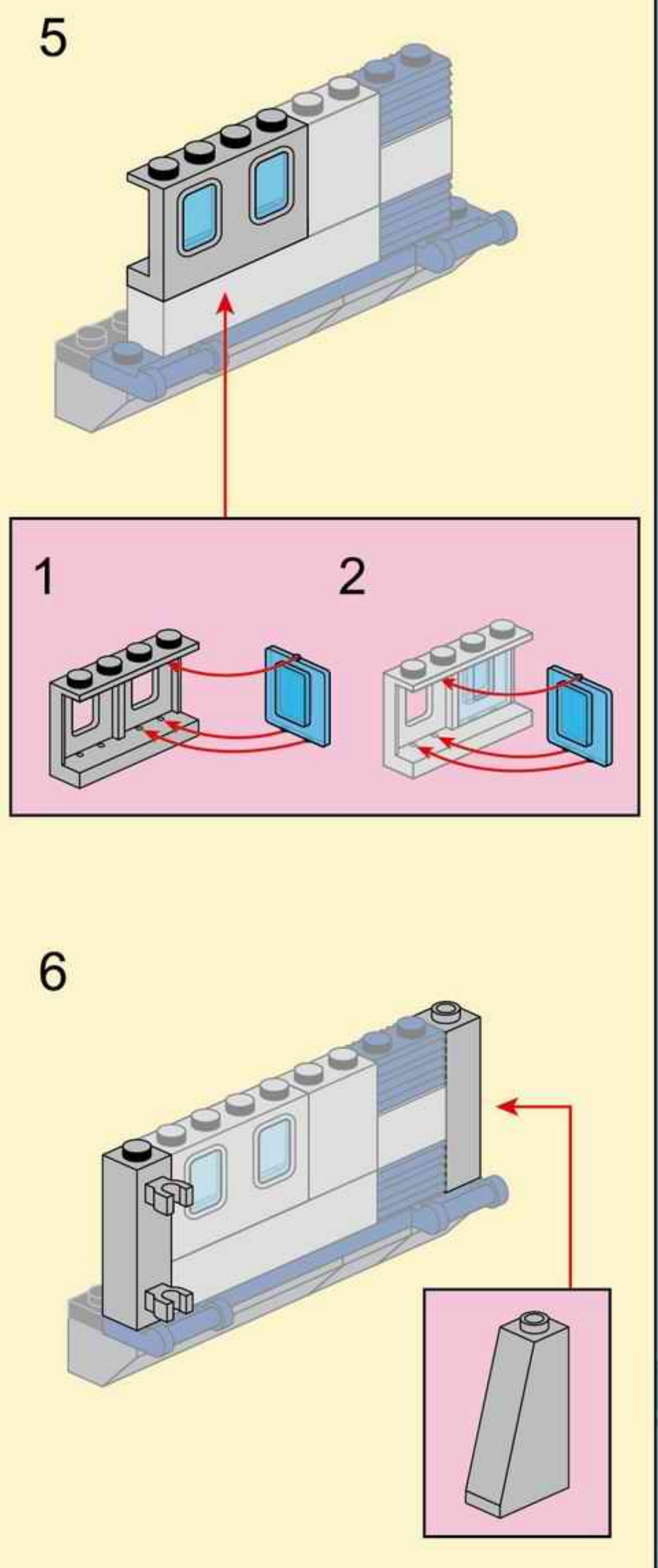
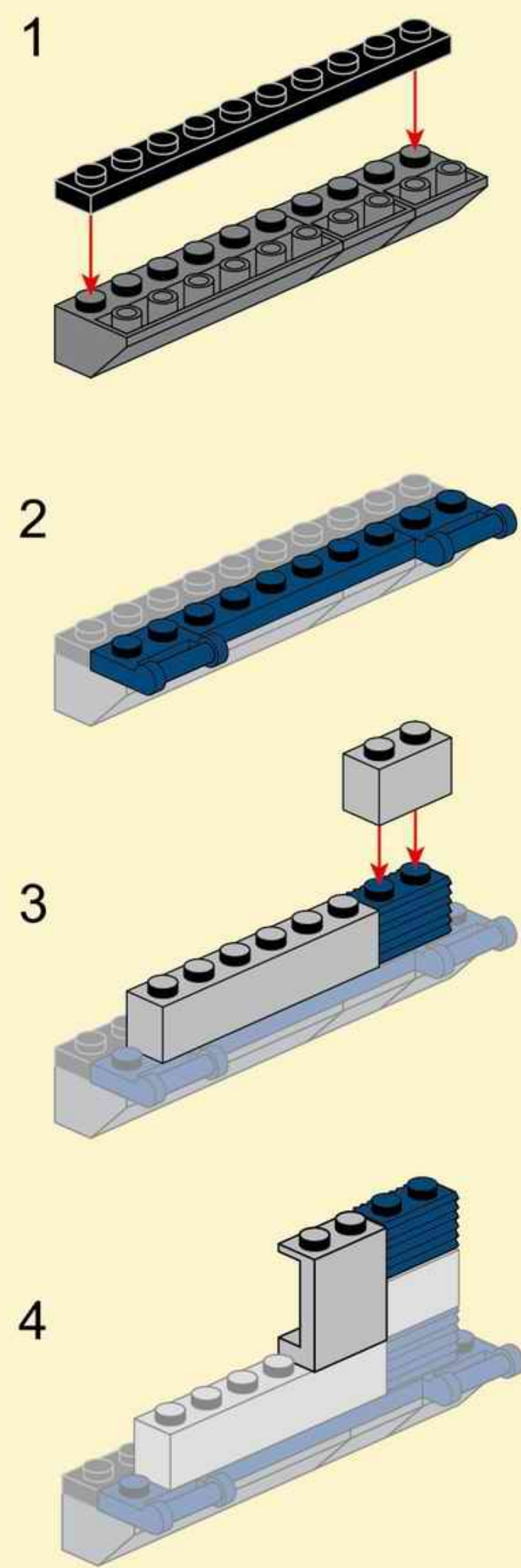
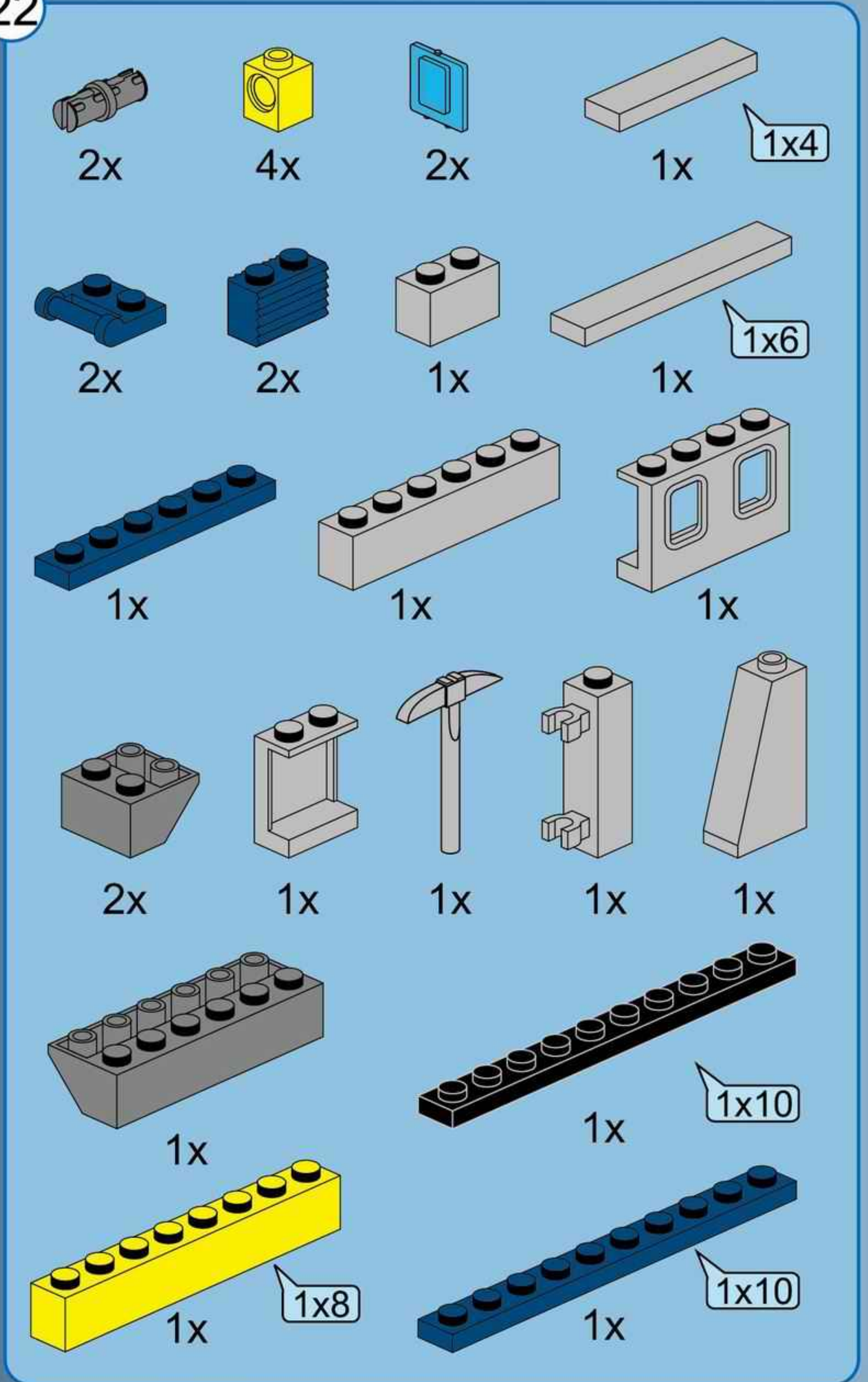


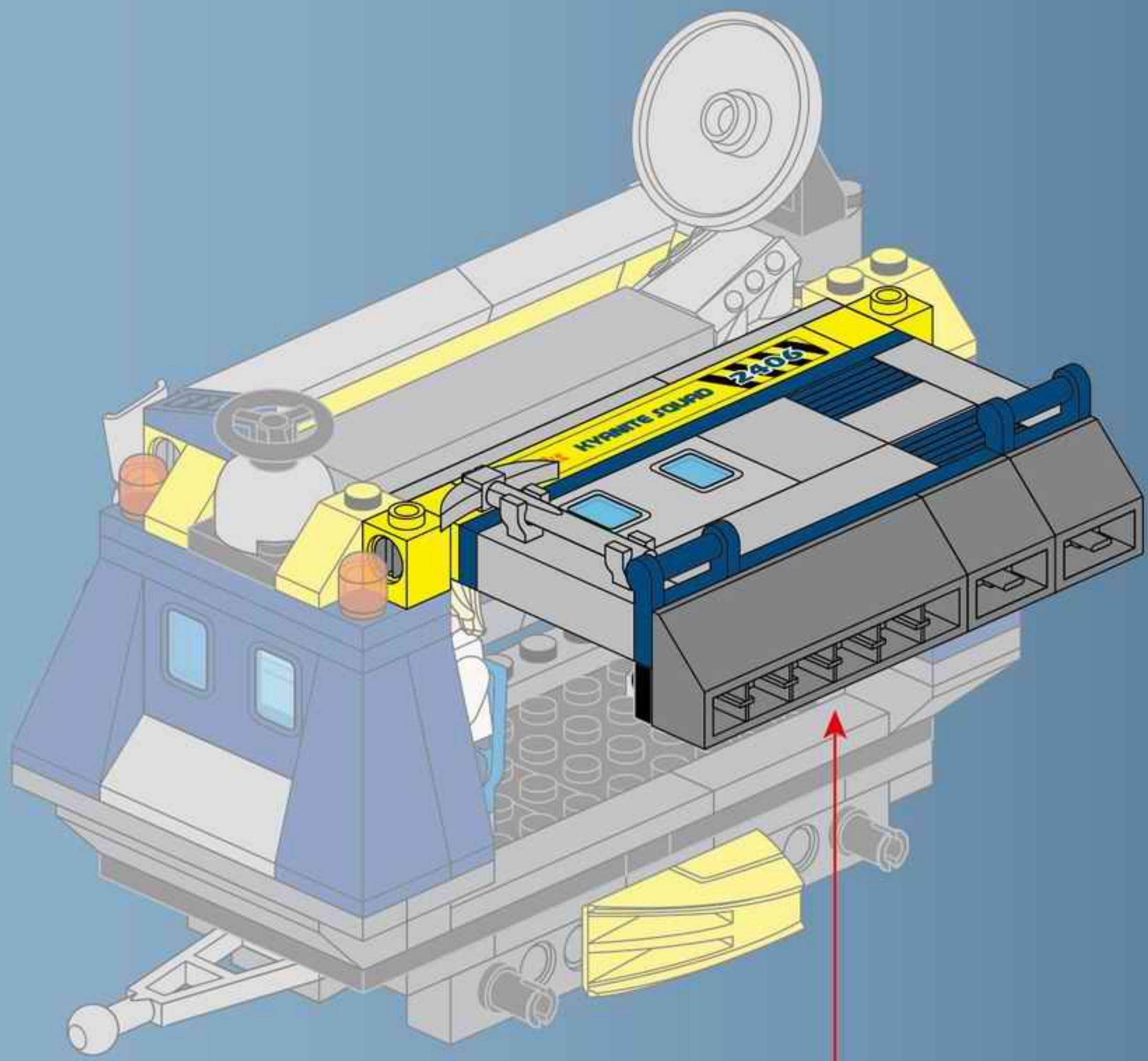
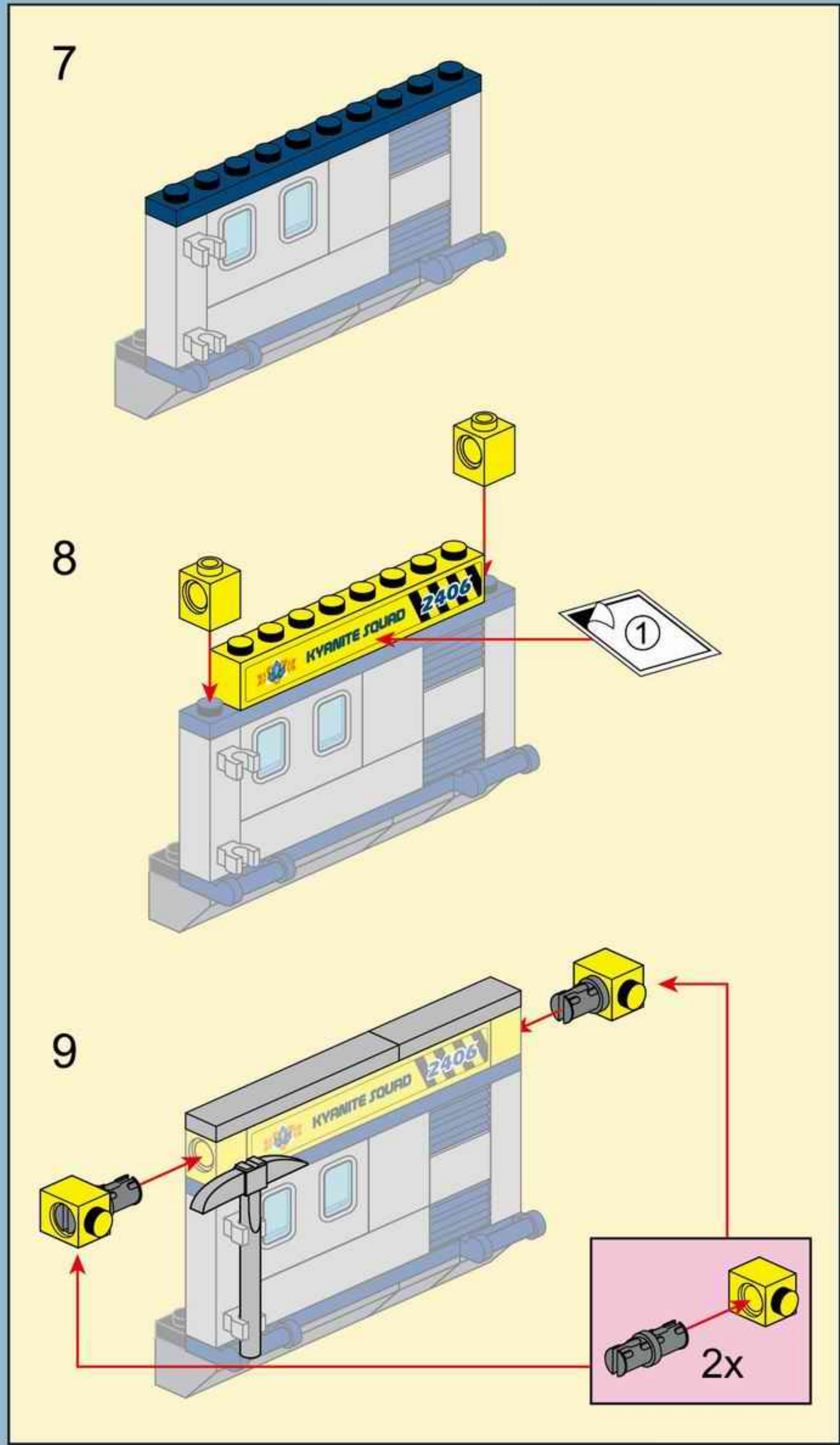
1x



- 1x (Grey Technic Pin)
- 1x (Grey Technic 3-Way Connector)
- 1x (Black Technic Axle Connector)
- 2x (Grey Technic 1x2 Brick with Studs)
- 1x (Yellow Technic 1x2 Plate with Studs)
- 1x (Black Technic 1x2 Brick with Studs)
- 1x (Grey Technic 1x2 Brick with Studs)
- 1x (Grey Technic 1x2 Brick with Studs)
- 1x (Grey Technic 1x2 Brick with Studs)
- 1x (Grey Technic 1x2 Brick with Studs)
- 1x (Grey Technic 1x2 Brick with Studs)
- 1x (Grey Technic 1x2 Brick with Studs)
- 2x (Grey Technic 1x2 Brick with Studs)
- 1x (Grey Technic 1x2 Brick with Studs)
- 2x8 (Grey Technic 1x2 Brick with Studs)
- 1x (Black Technic 1x2 Brick with Studs)





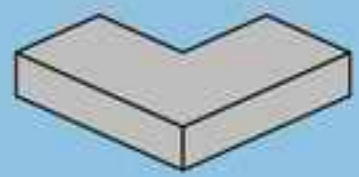




23



1x



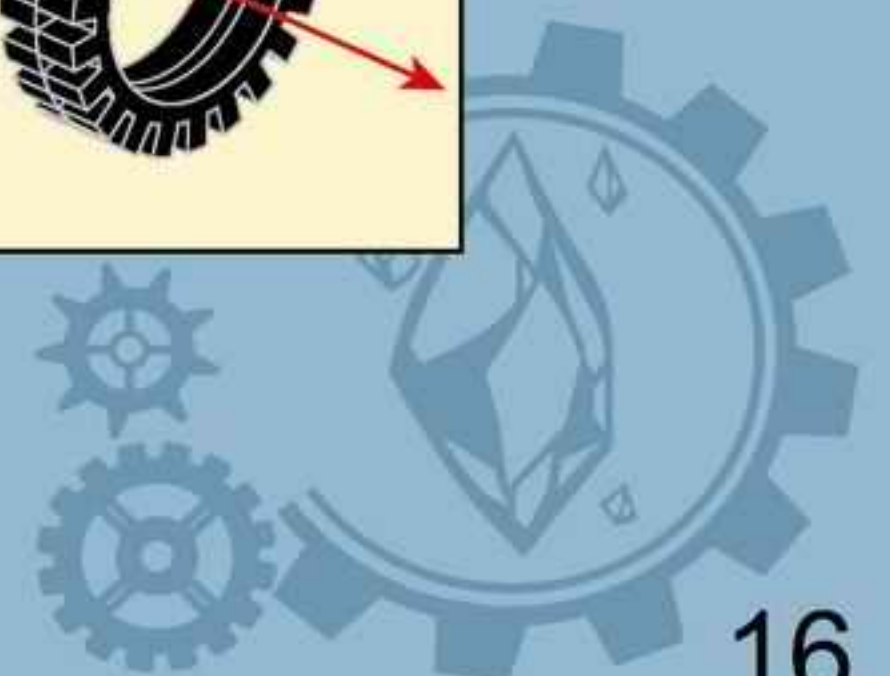
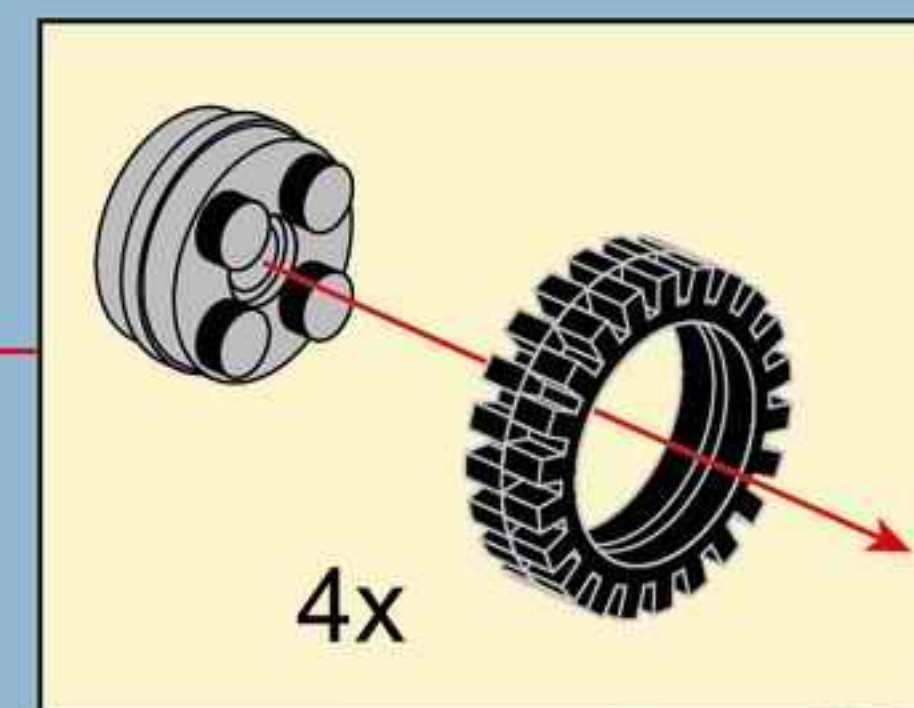
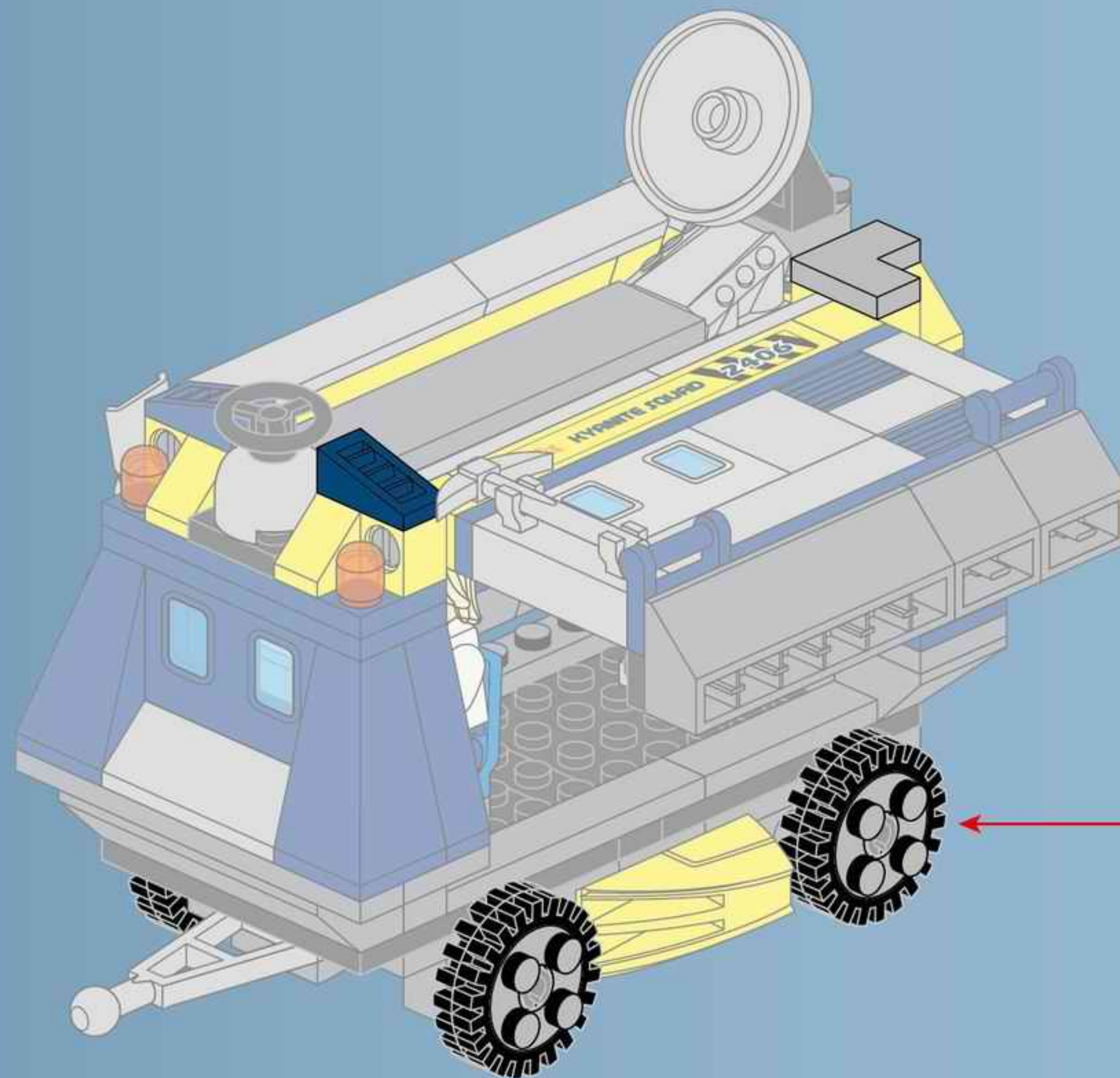
1x

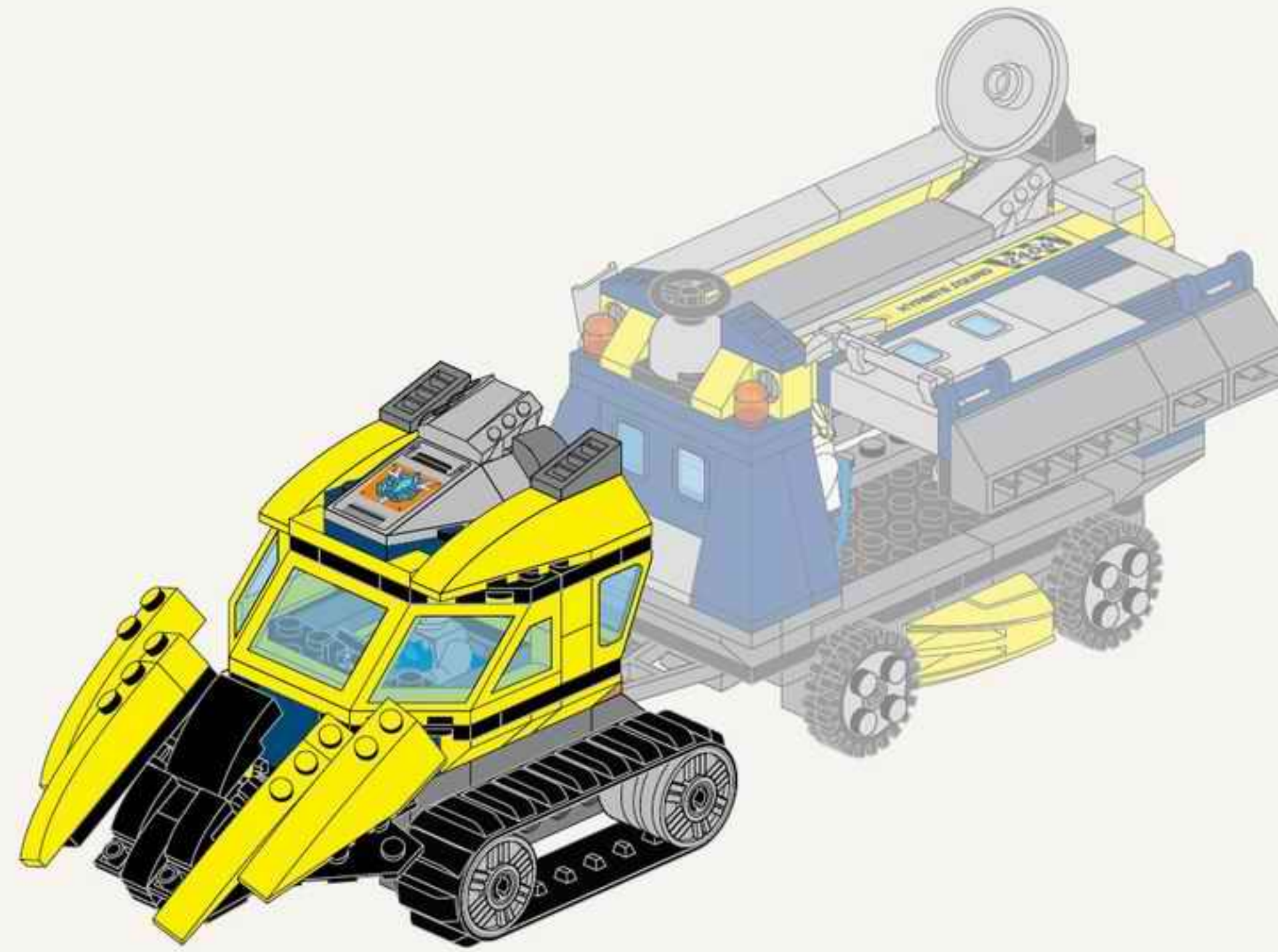


4x

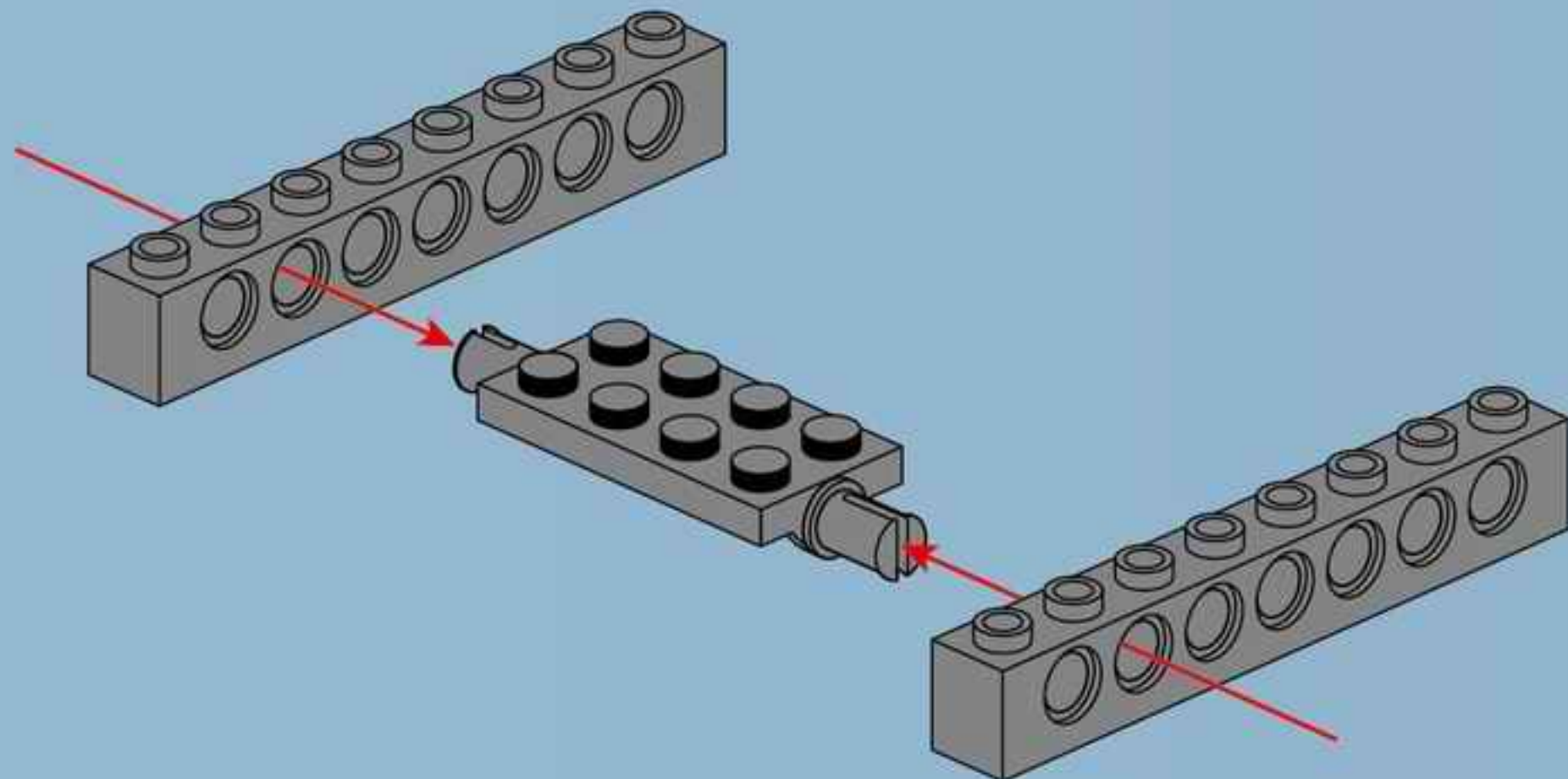
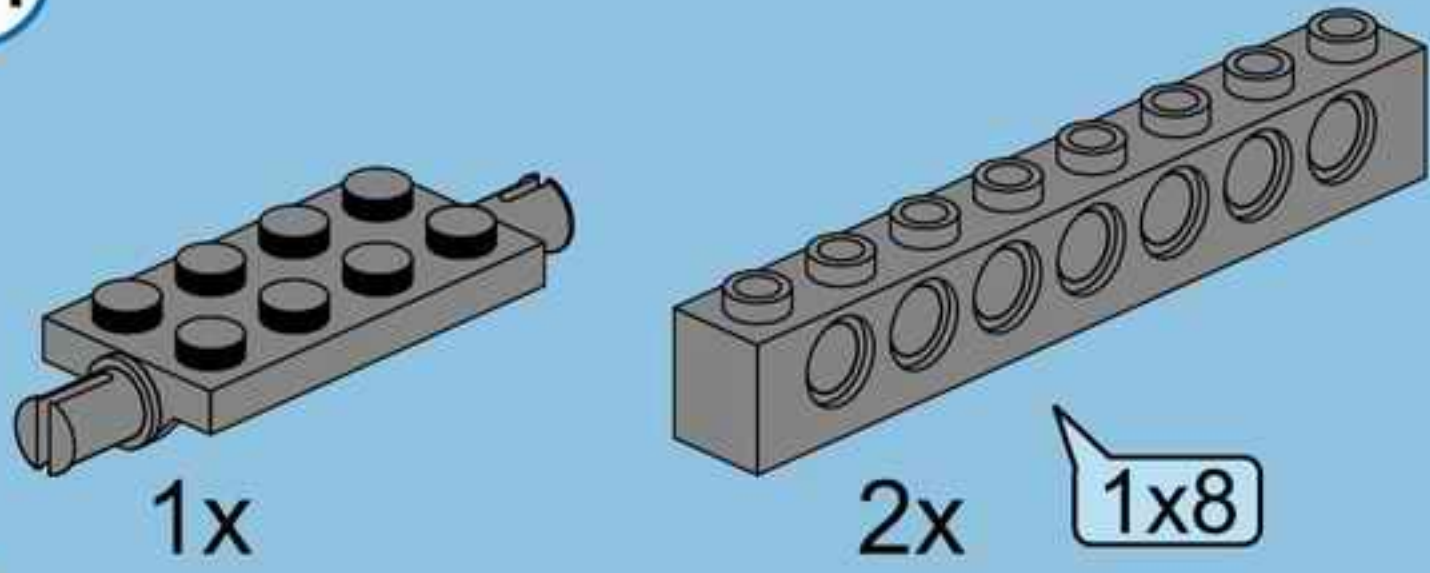


4x

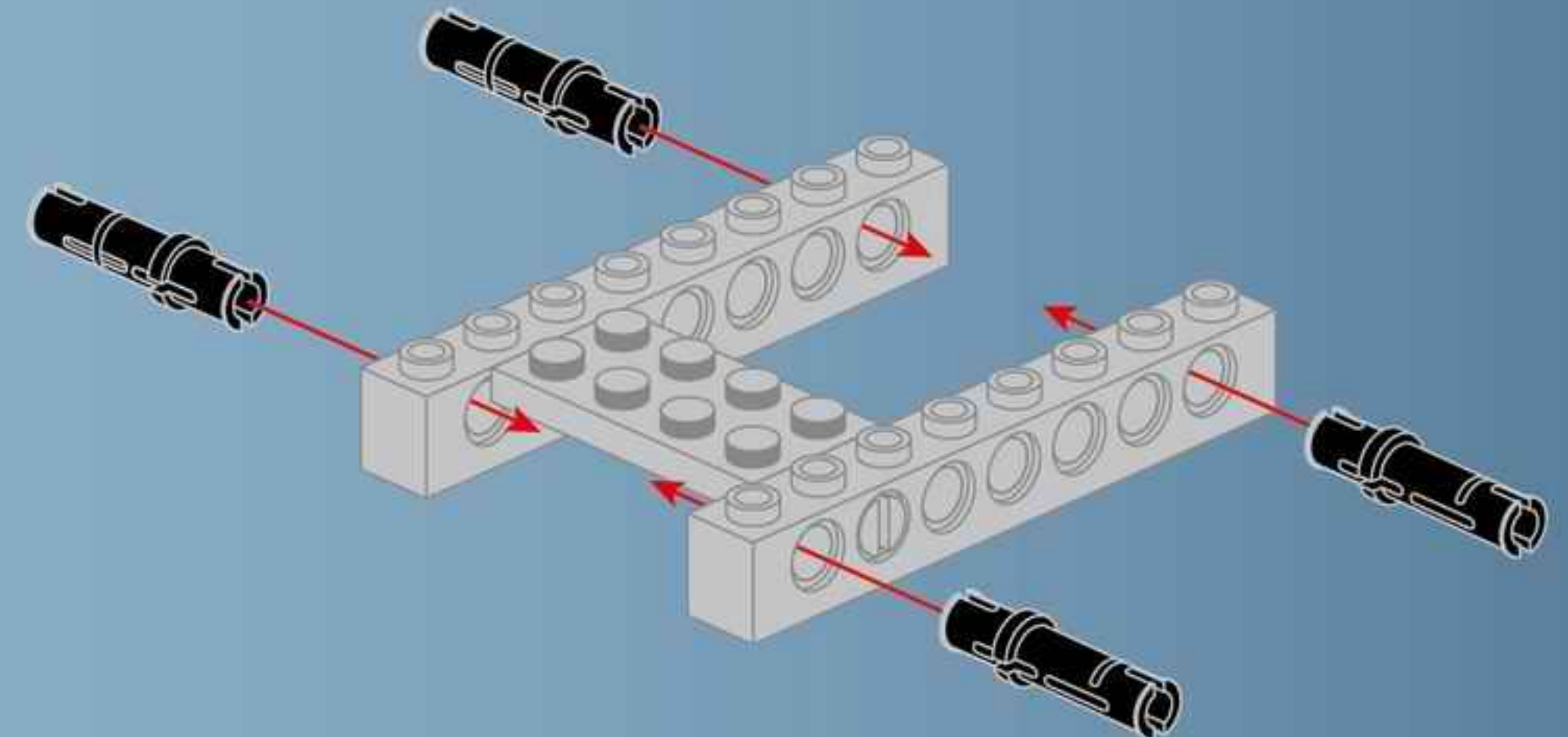




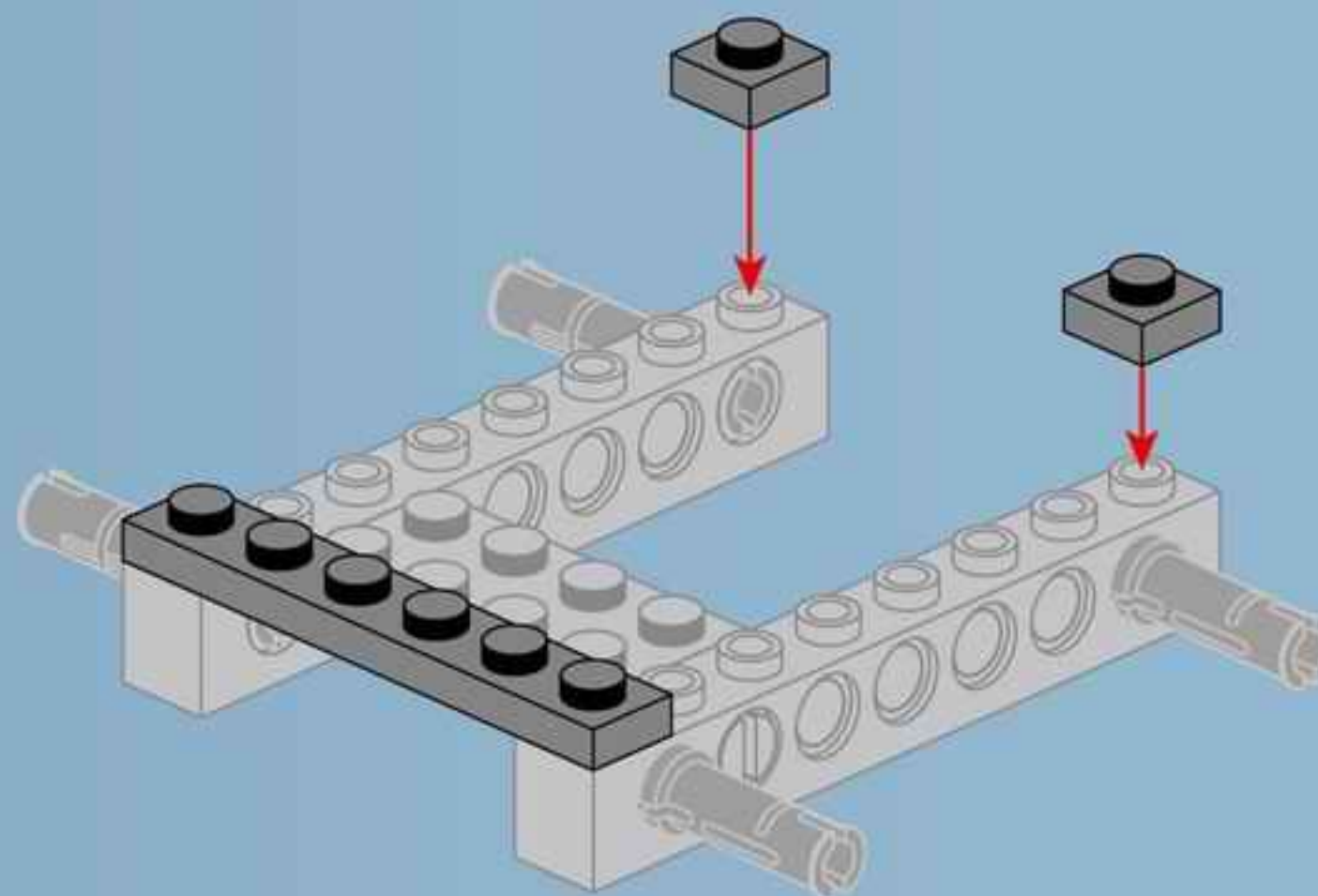
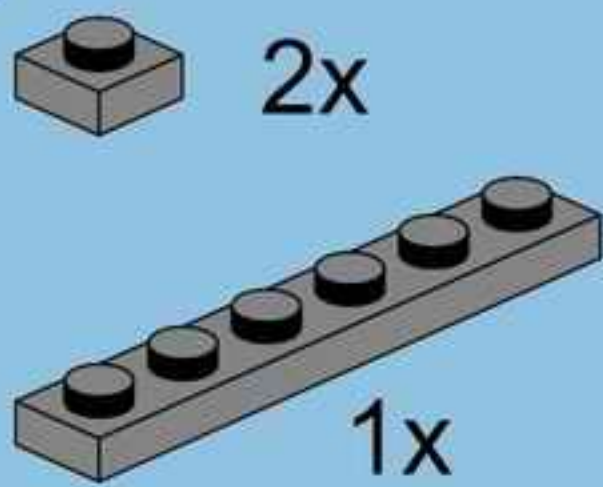
24



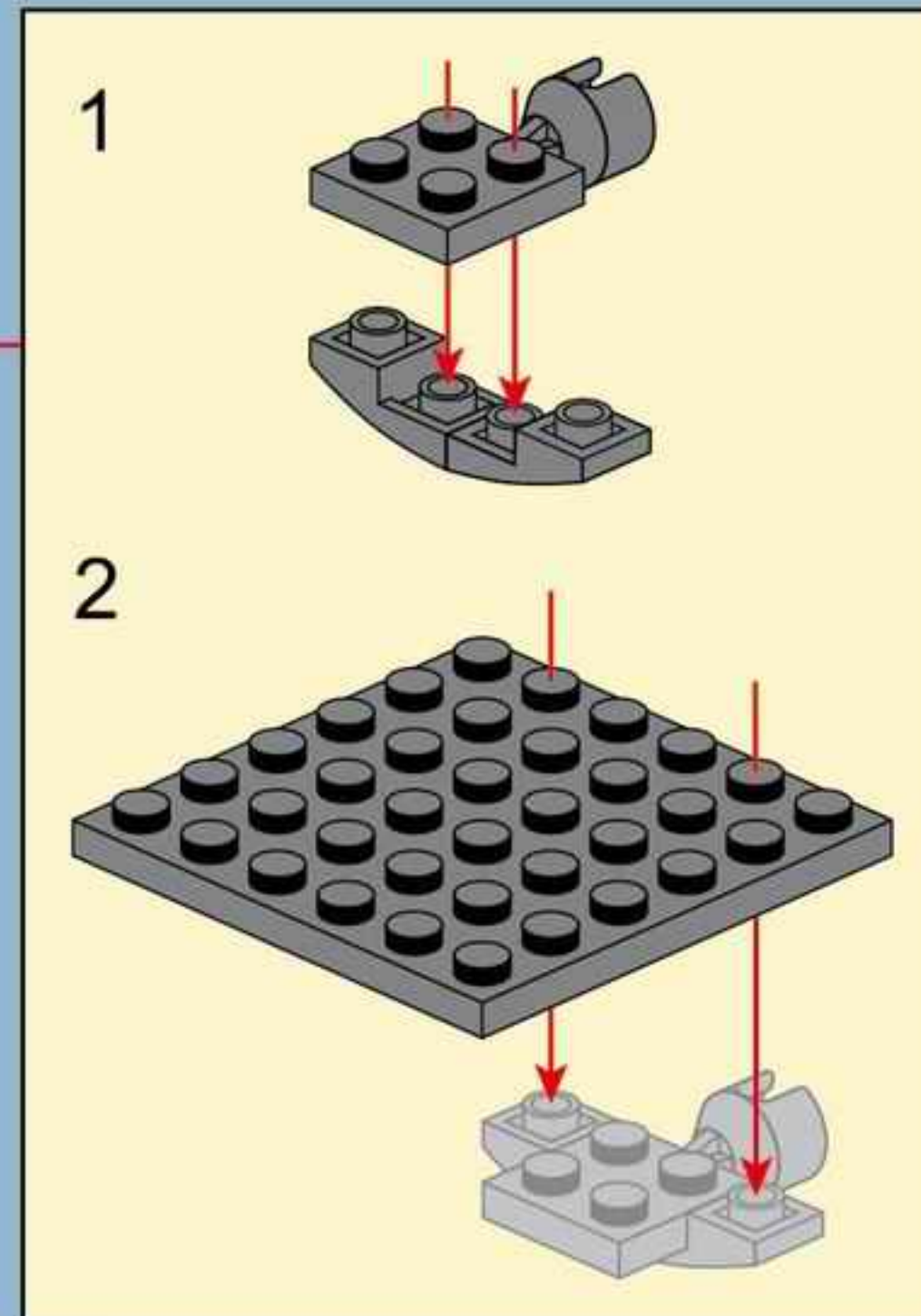
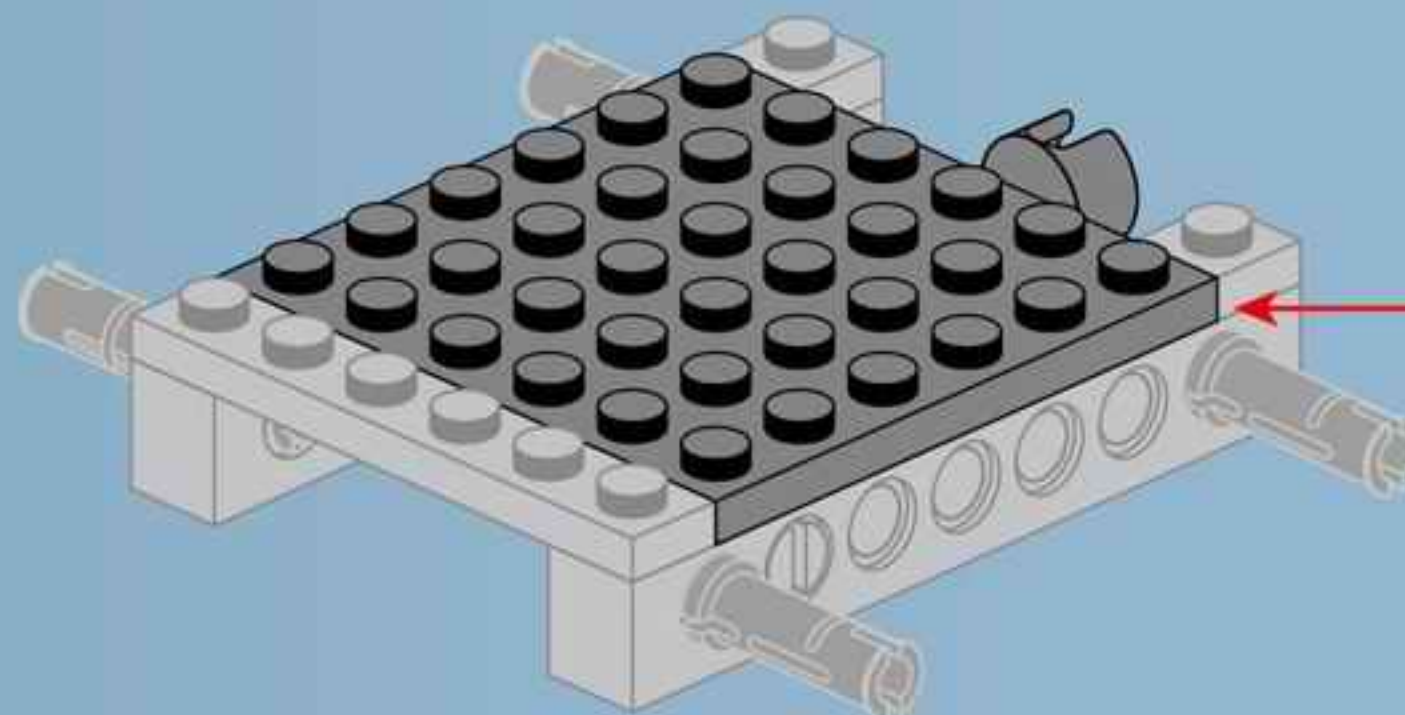
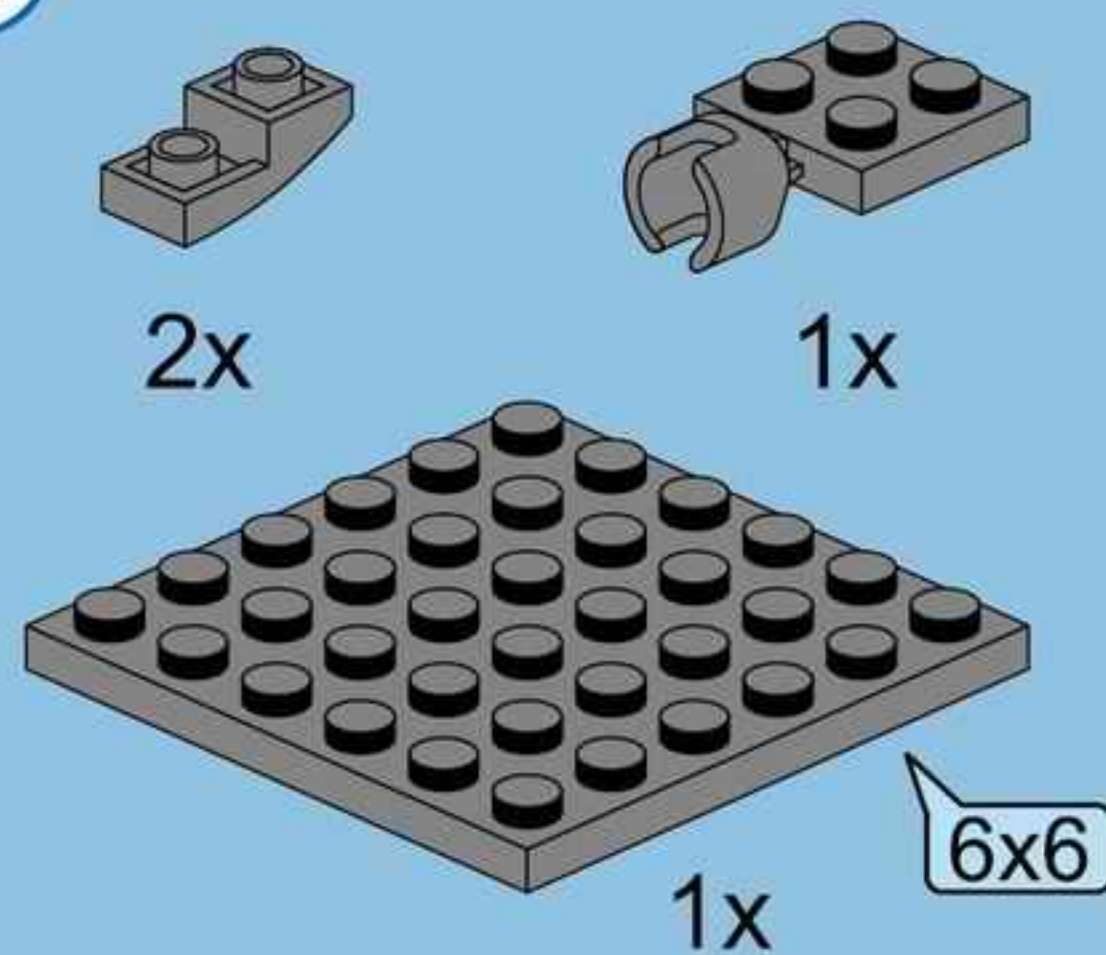
25



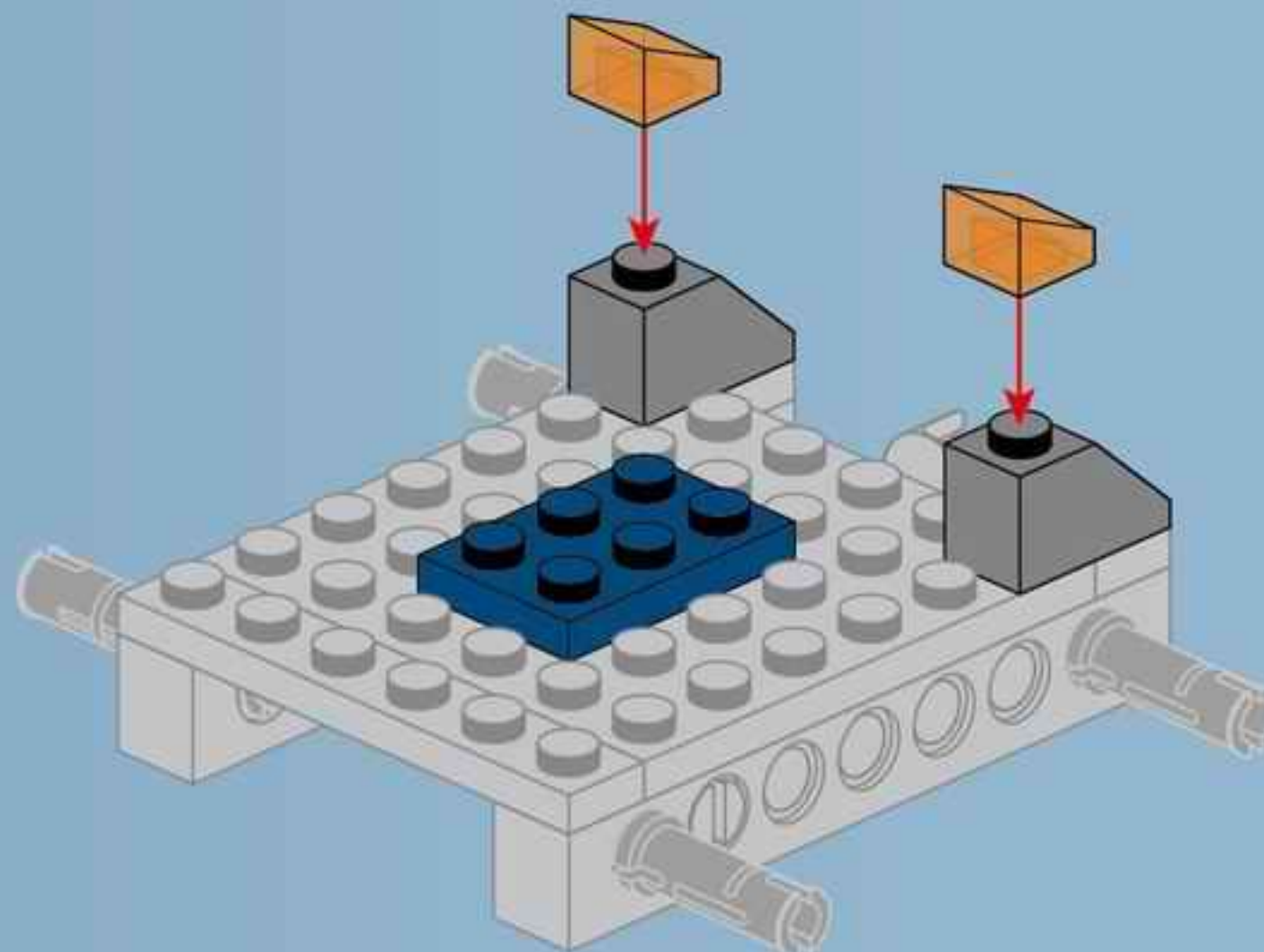
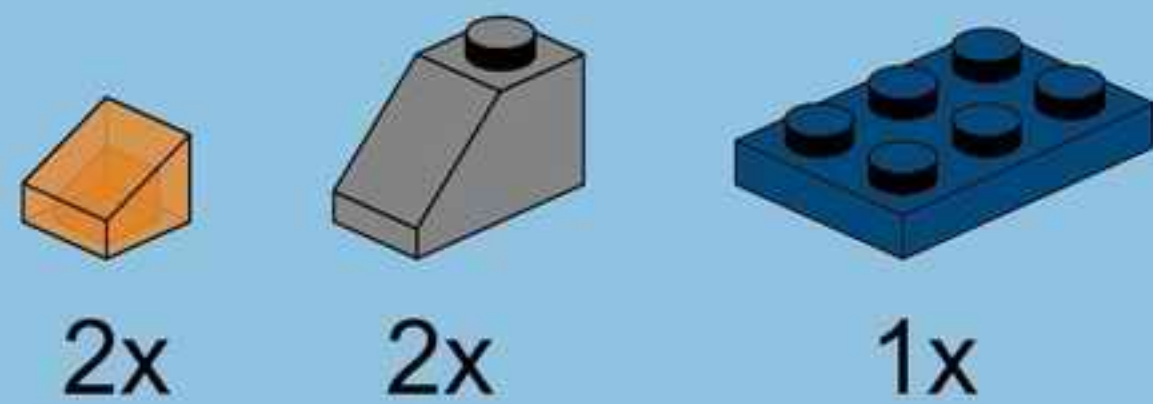
26



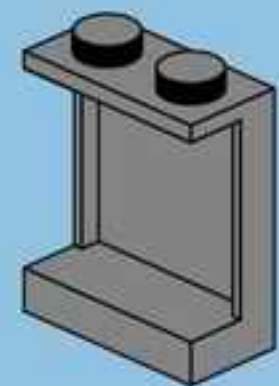
27



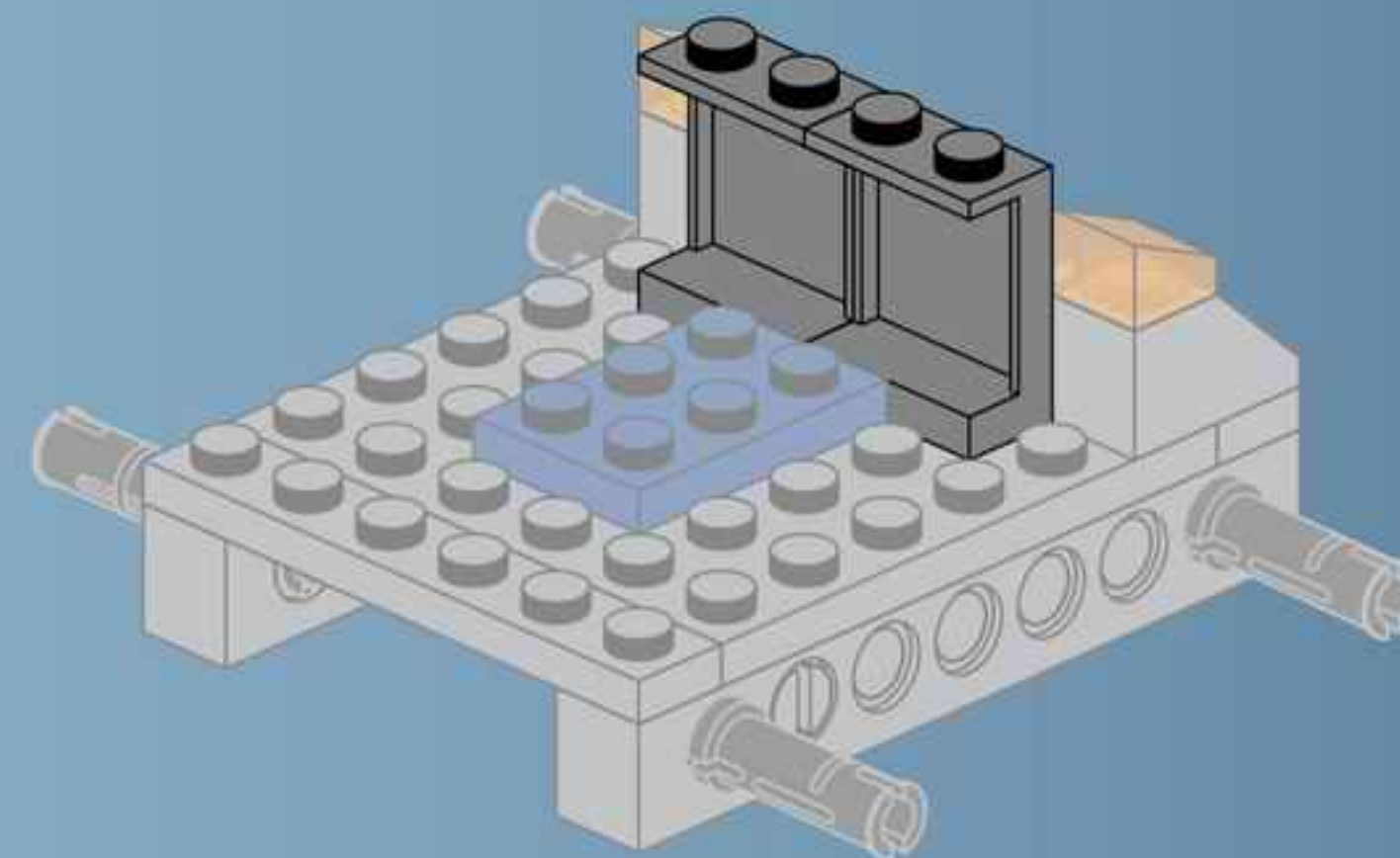
28



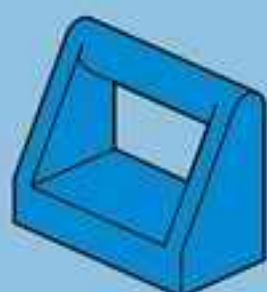
29



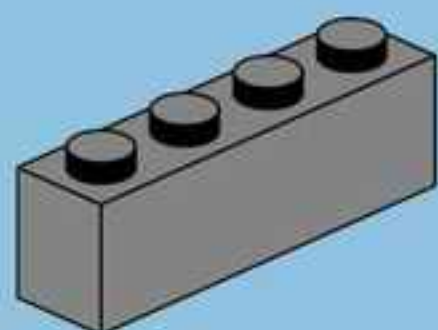
2x



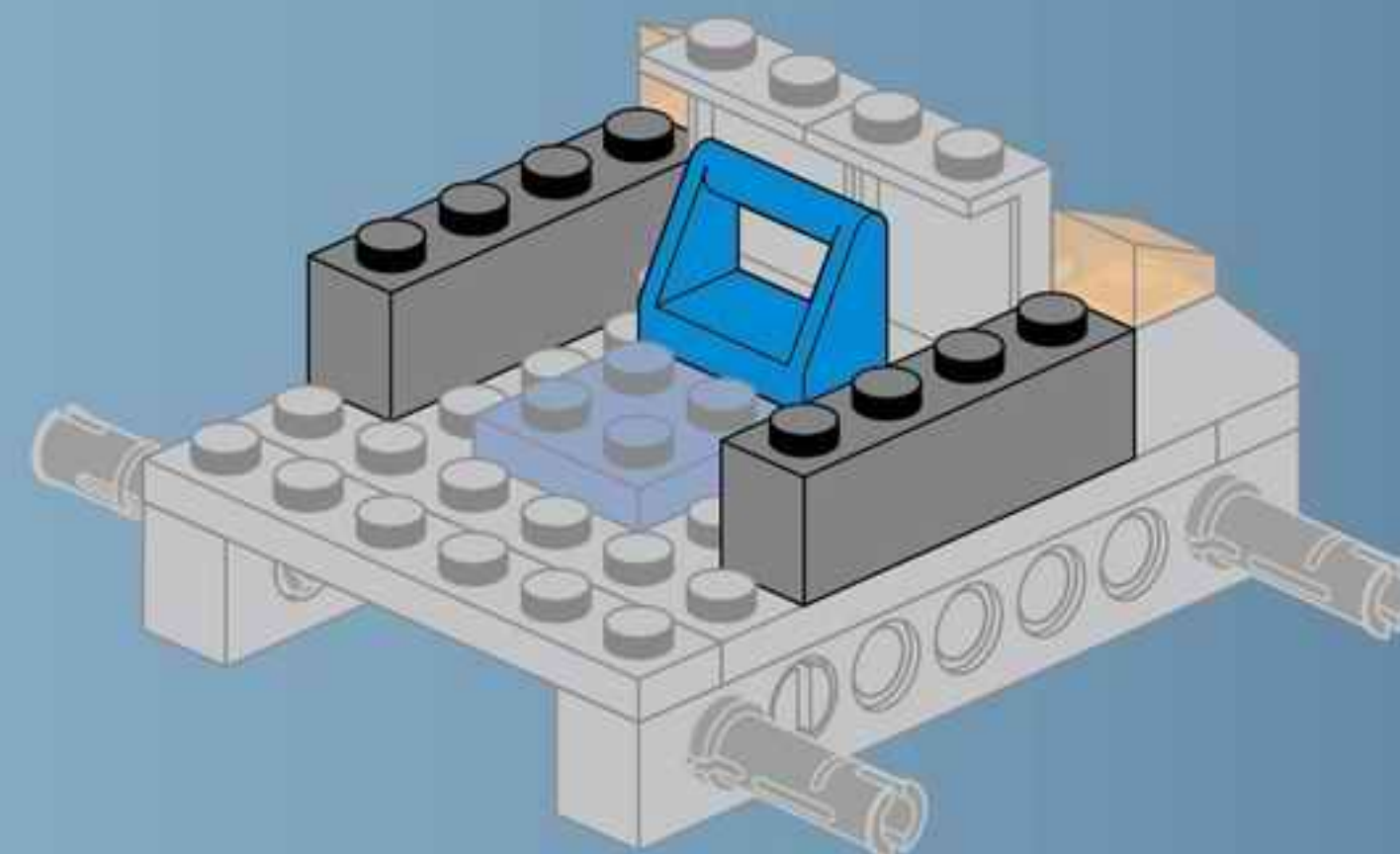
30



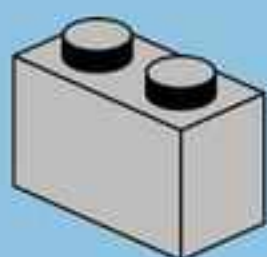
1x



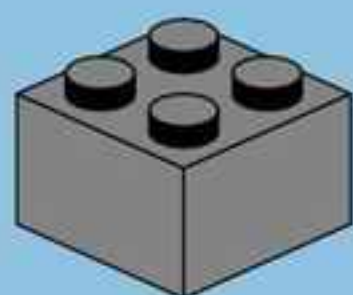
2x



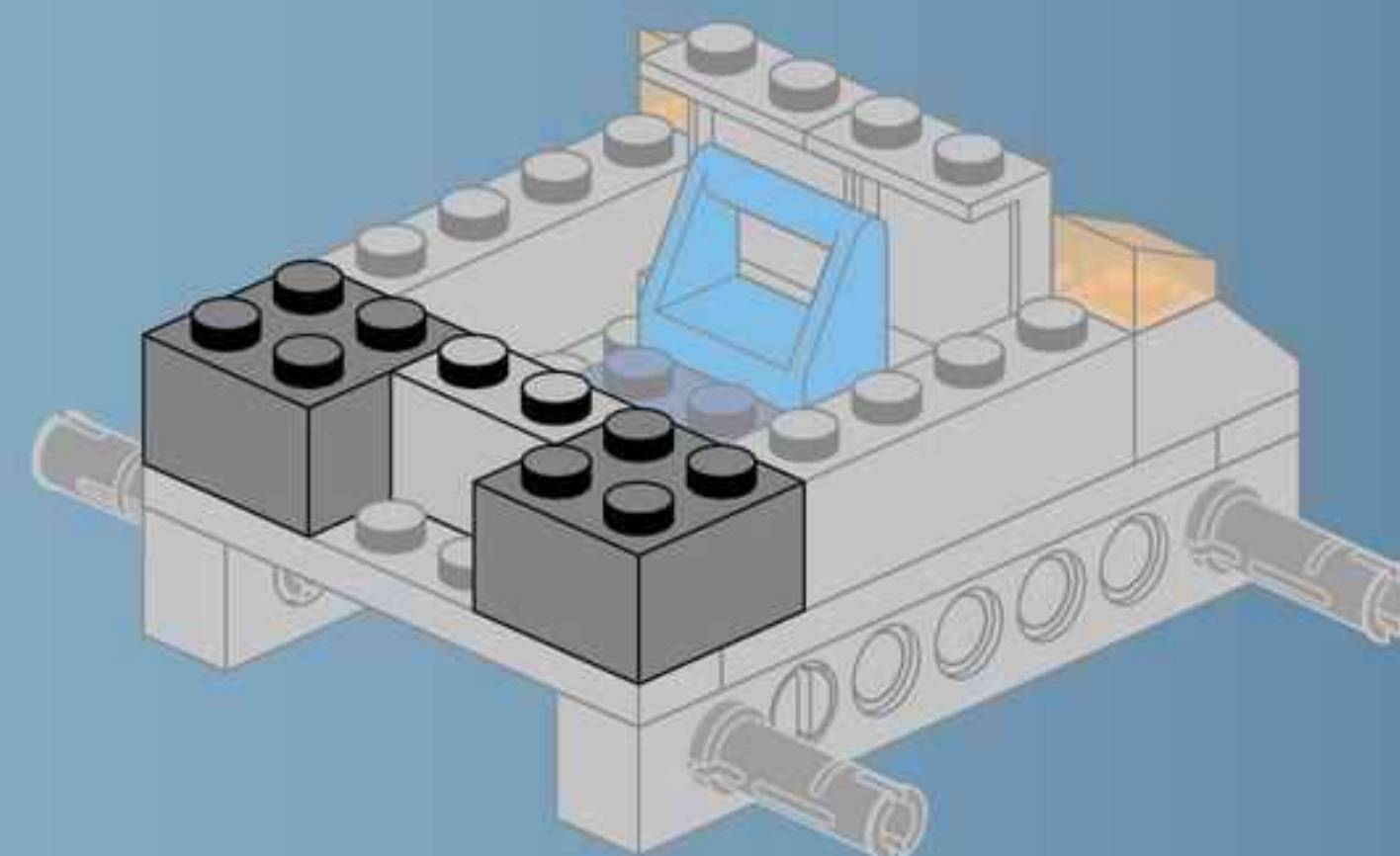
31



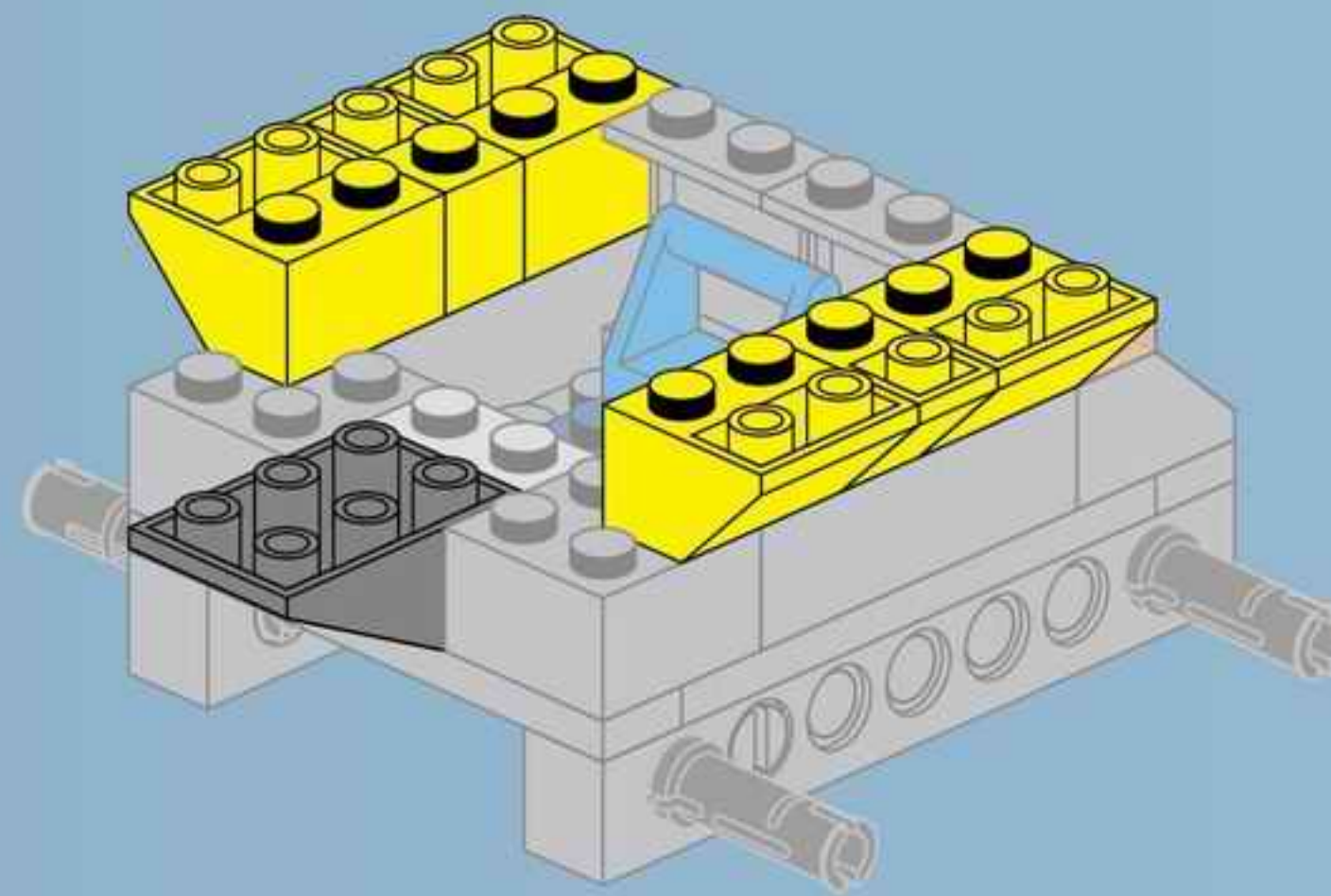
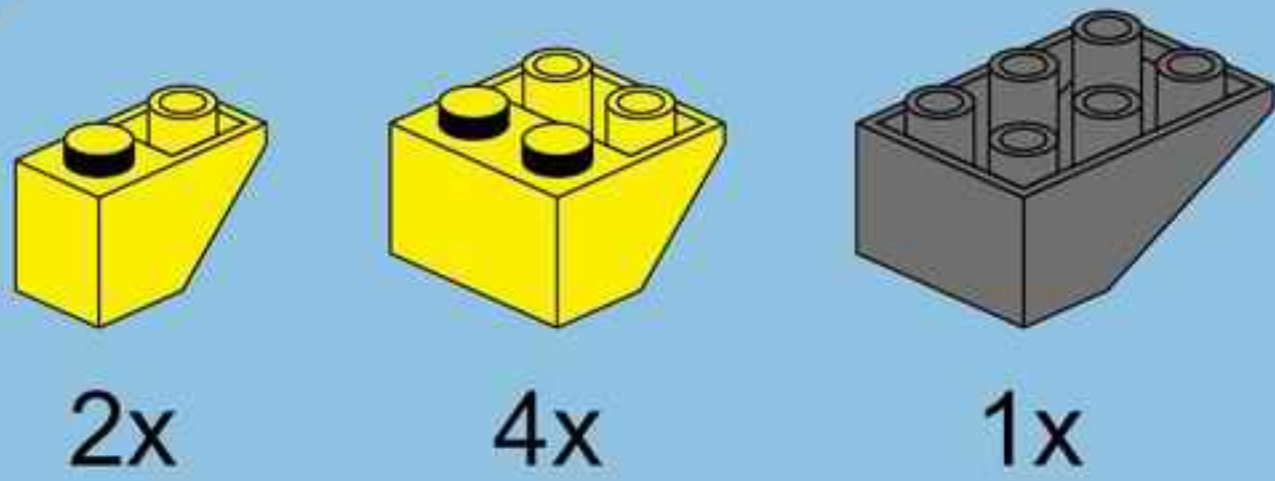
1x



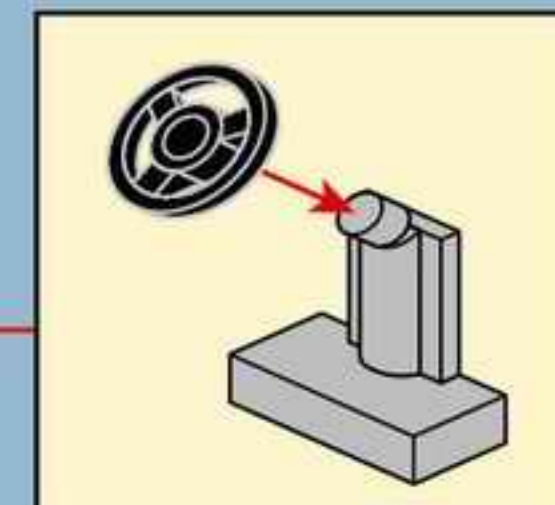
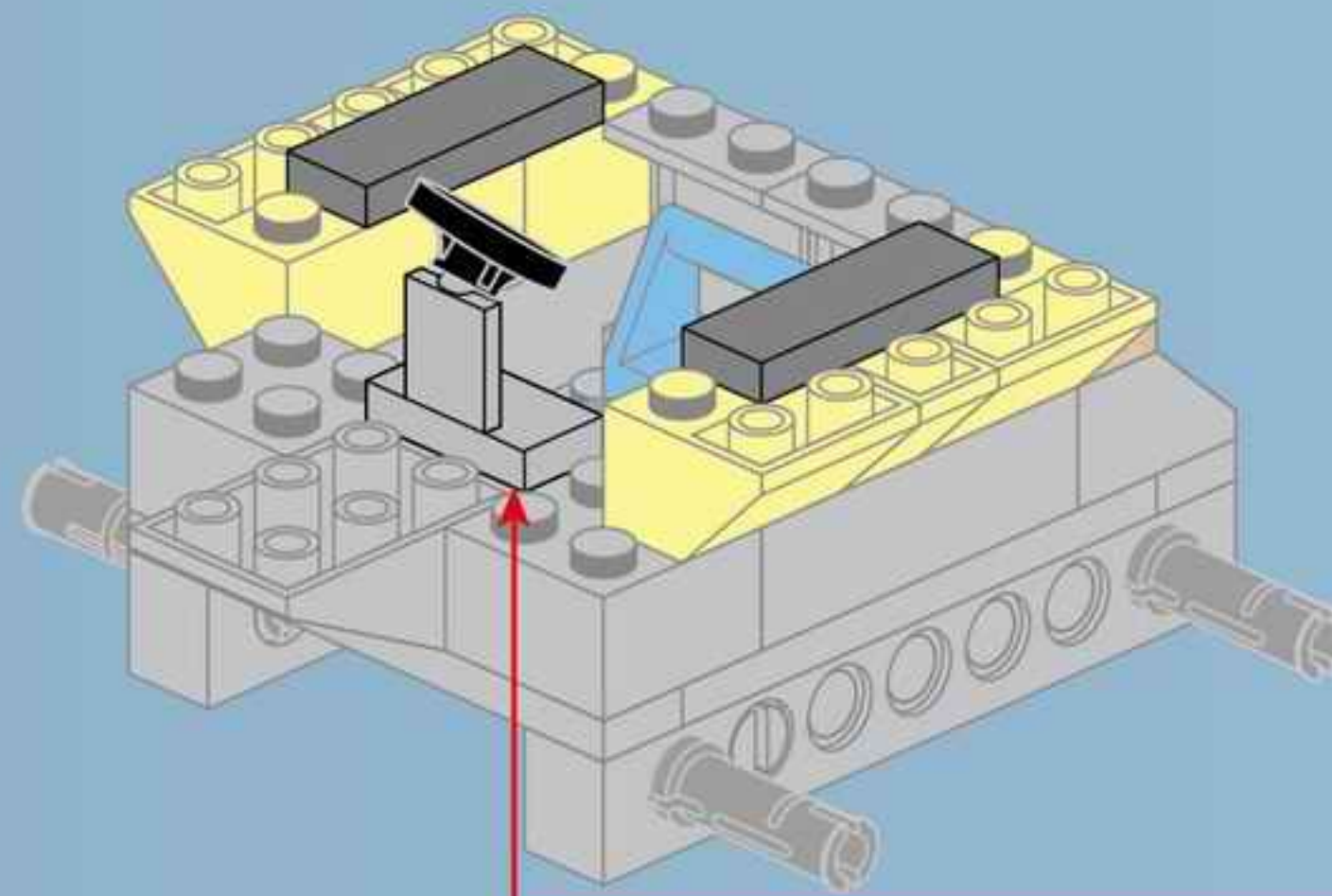
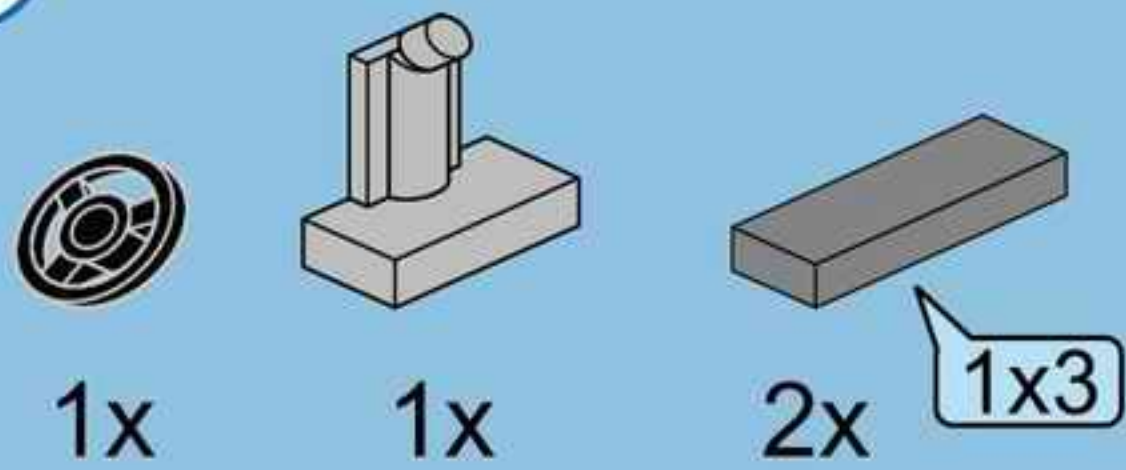
2x



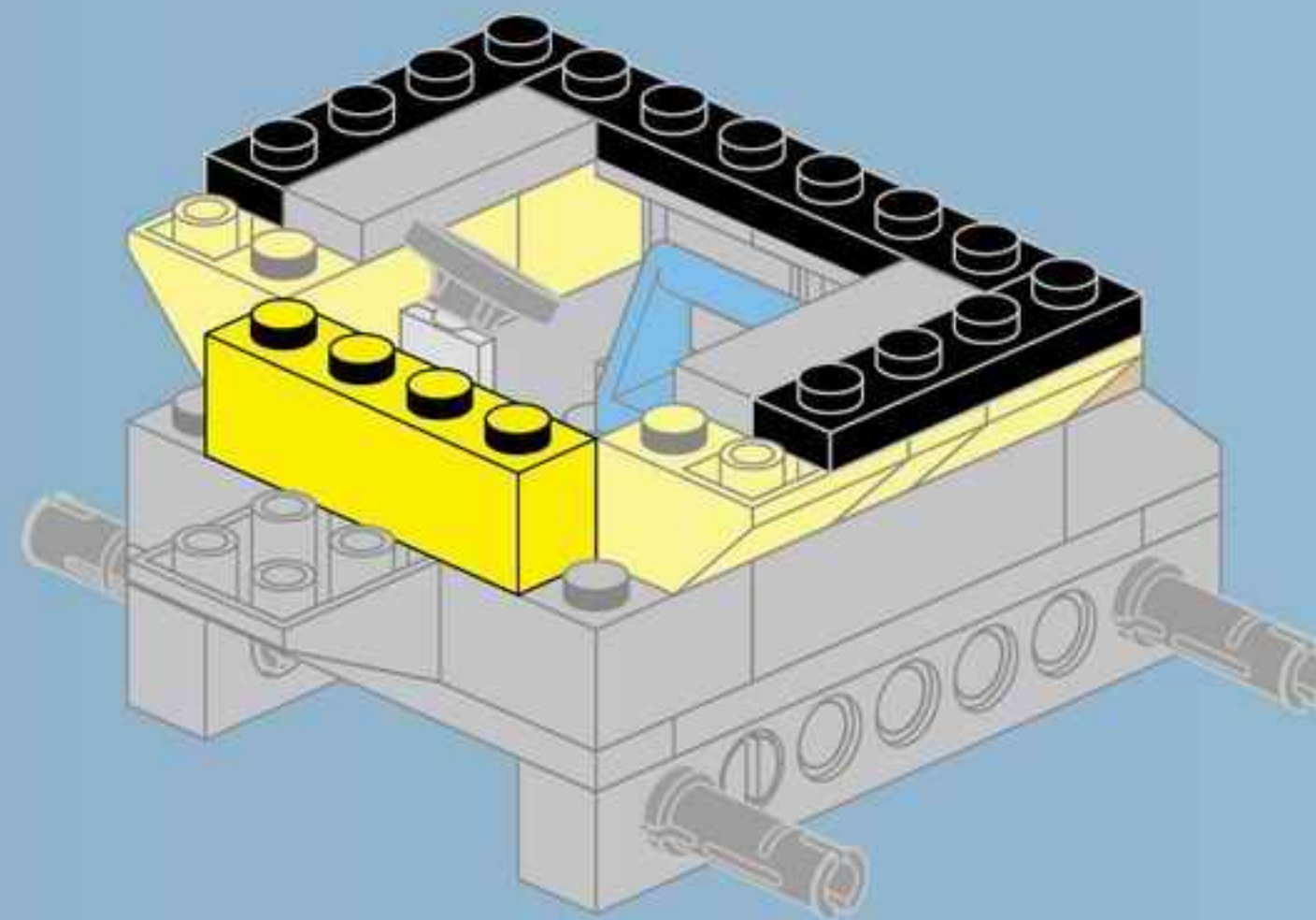
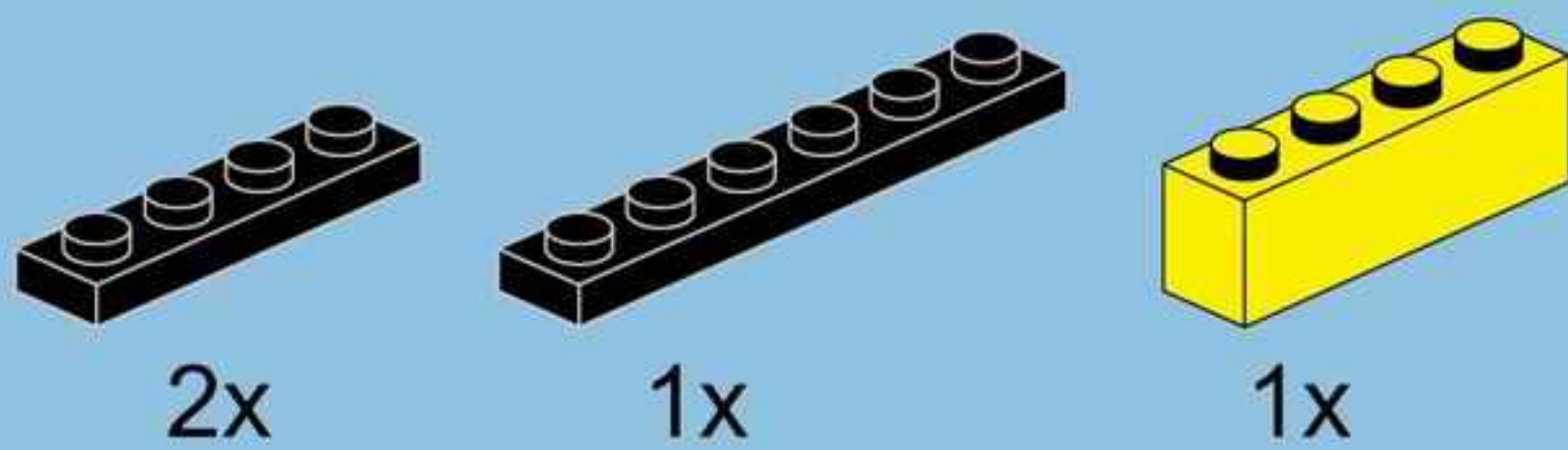
32



33



34



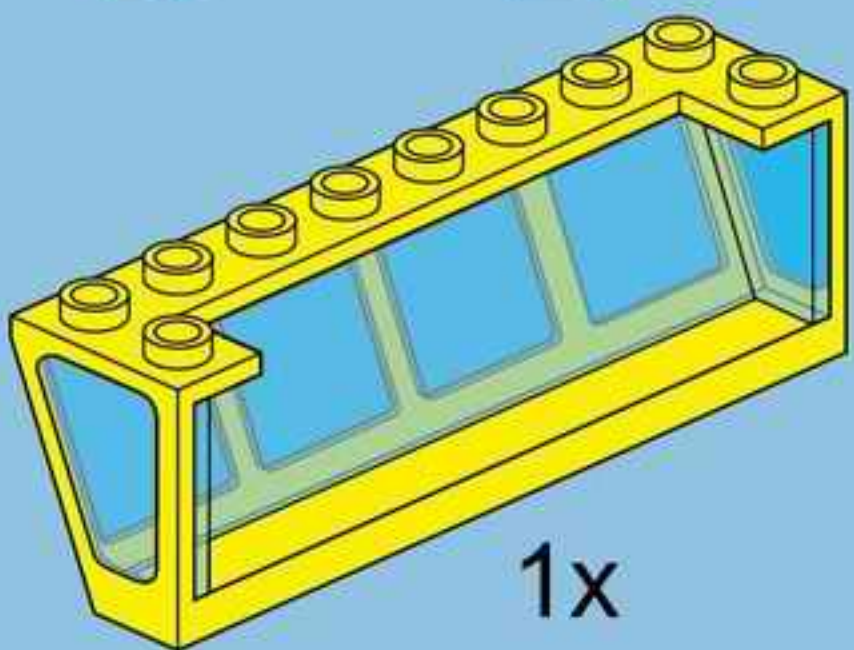
35



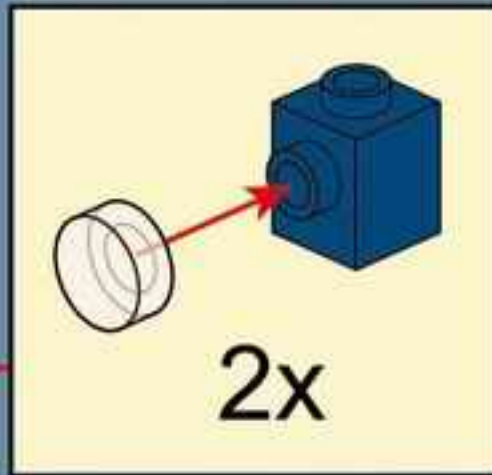
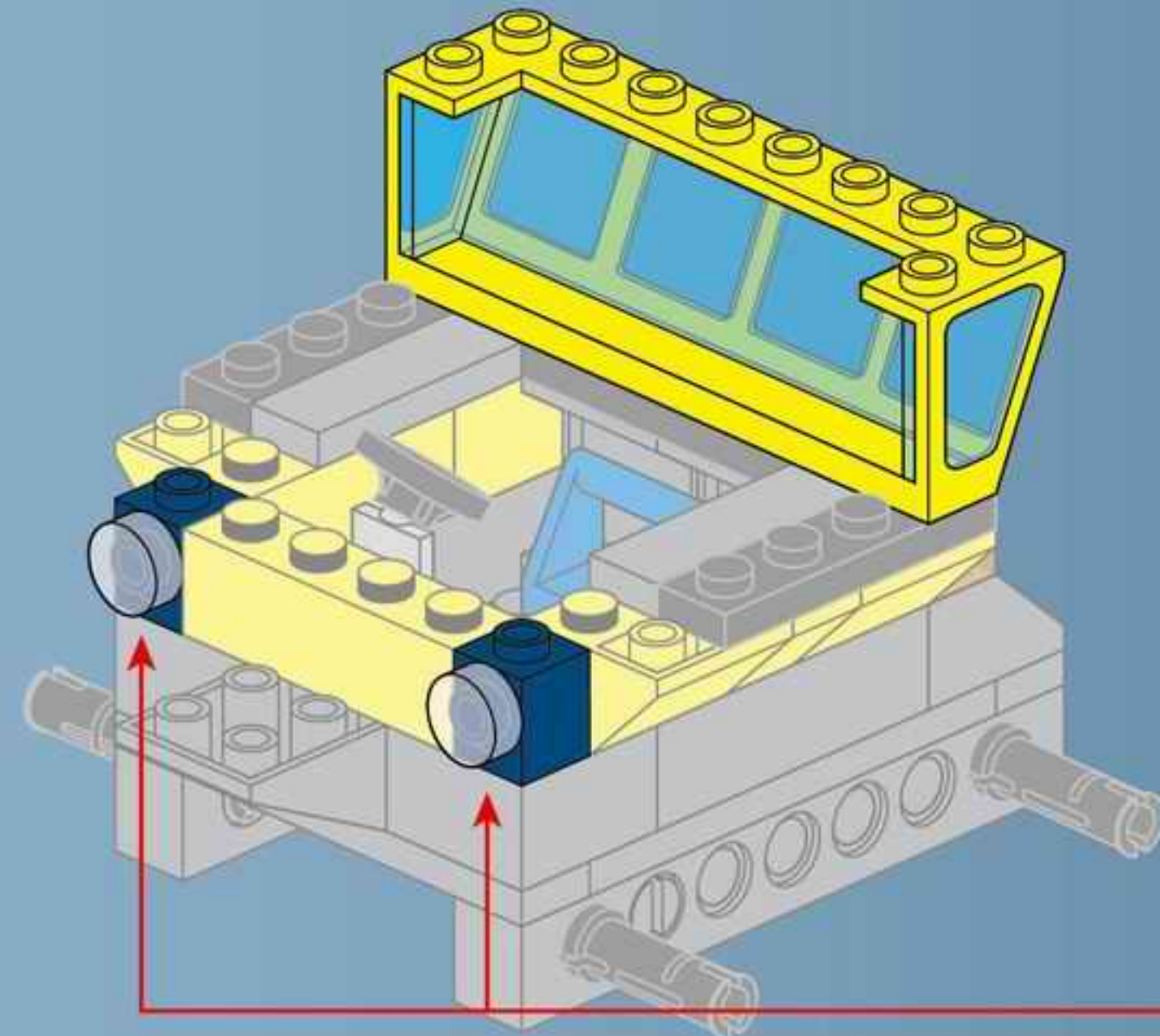
2x



2x



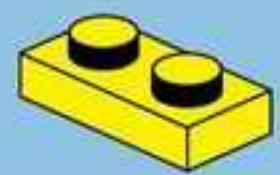
1x



36



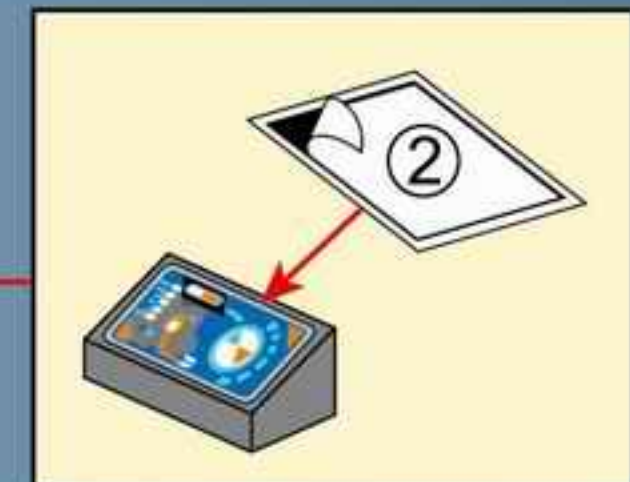
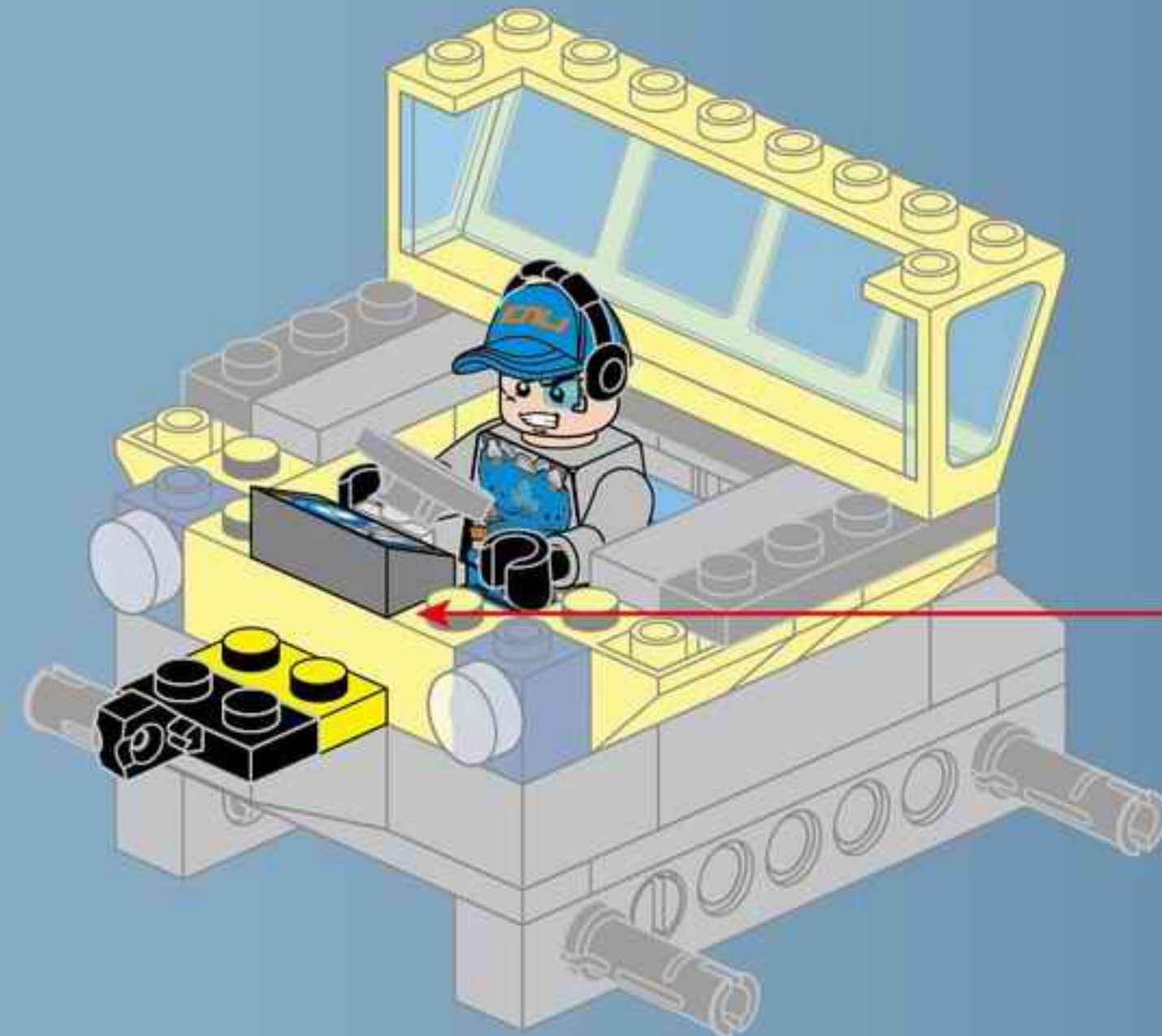
1x



1x



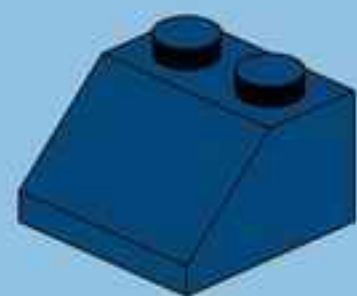
1x



37



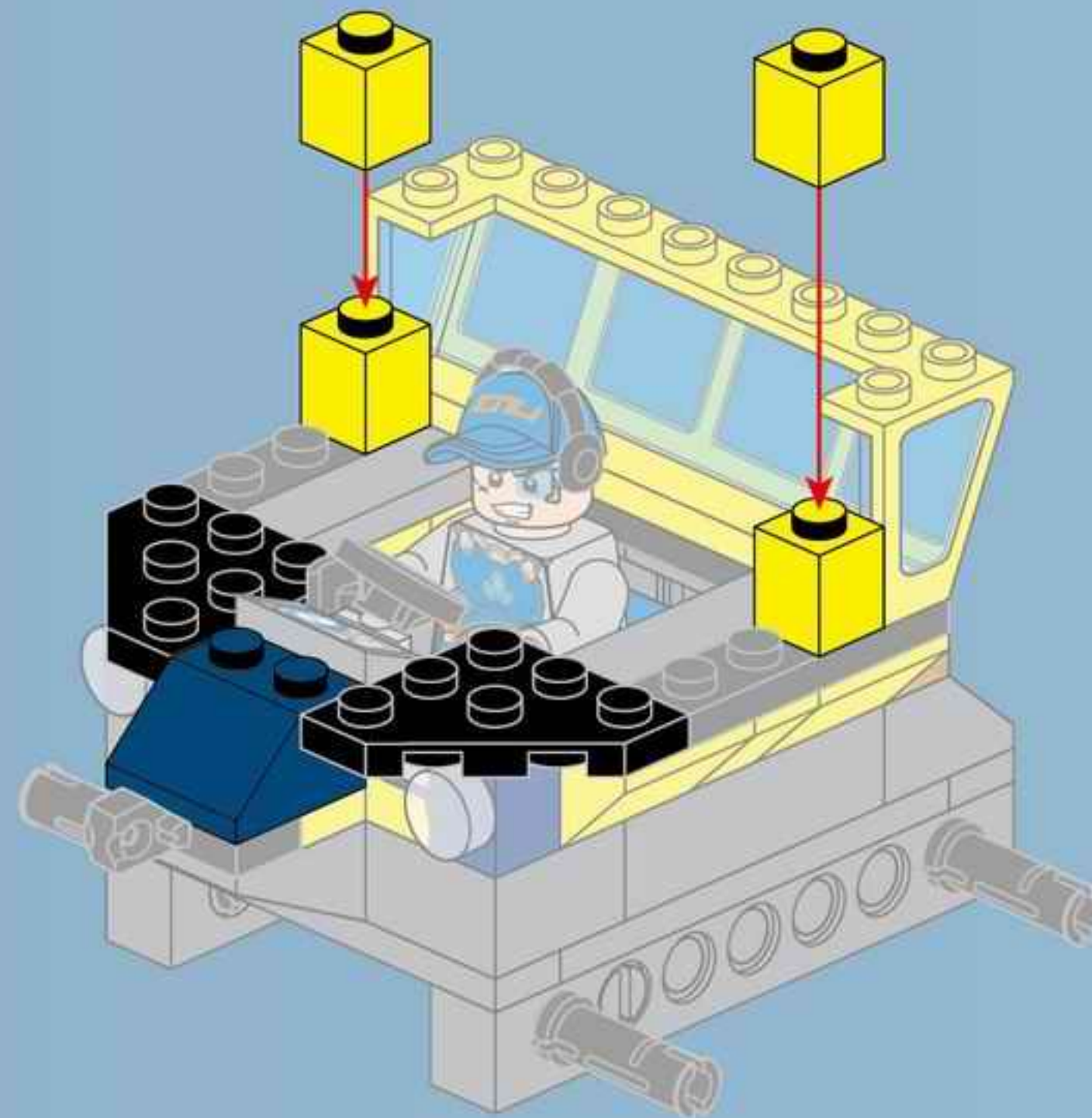
4x



1x



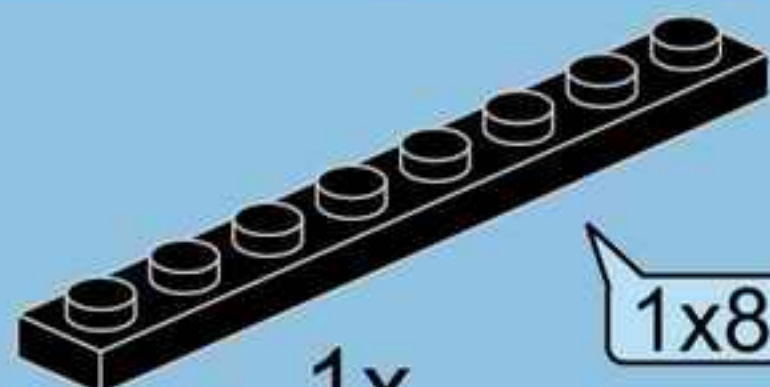
2x



38

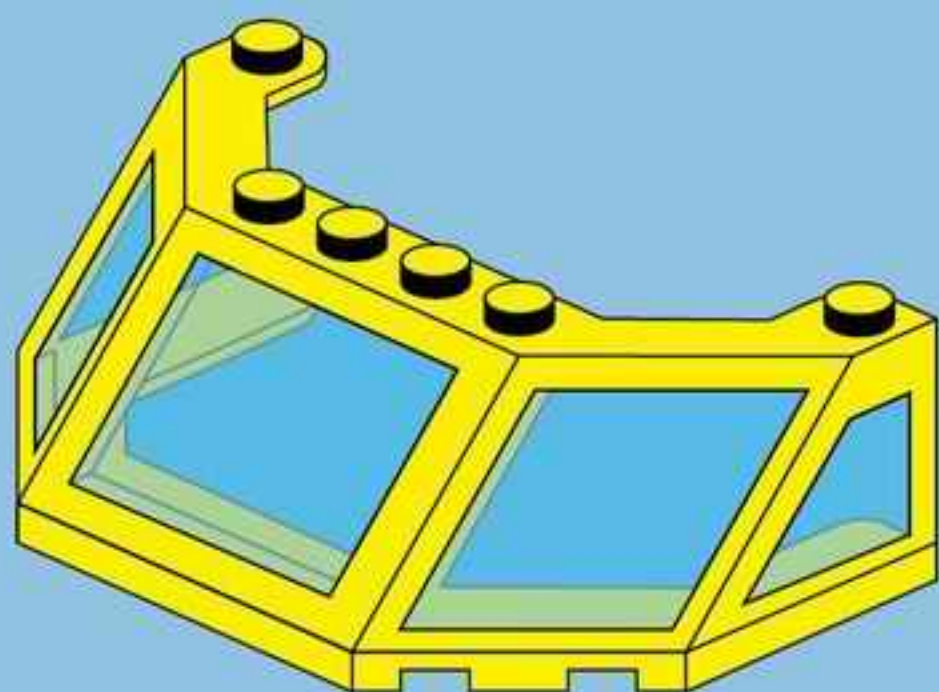


2x

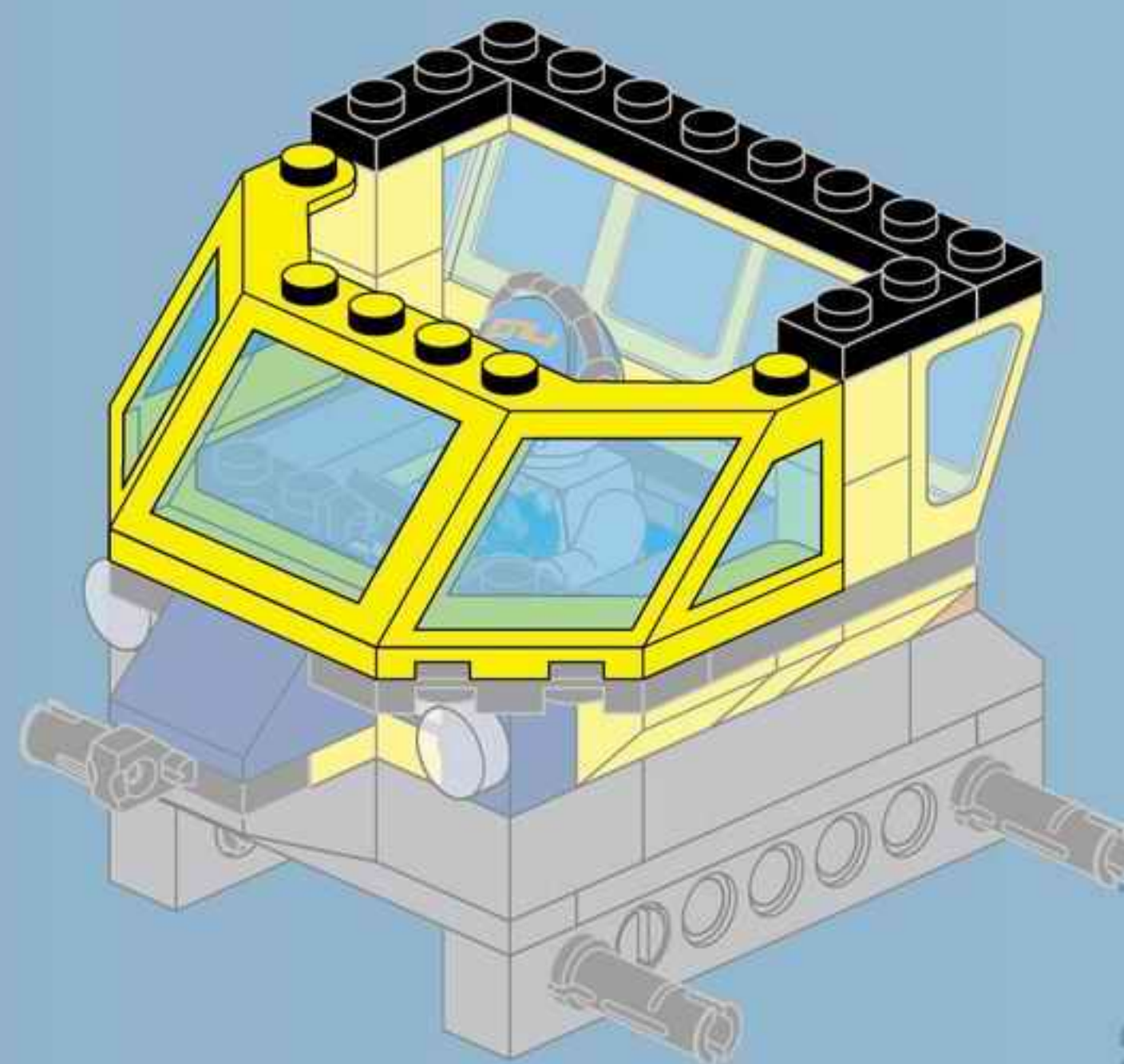


1x

1x8



1x



39



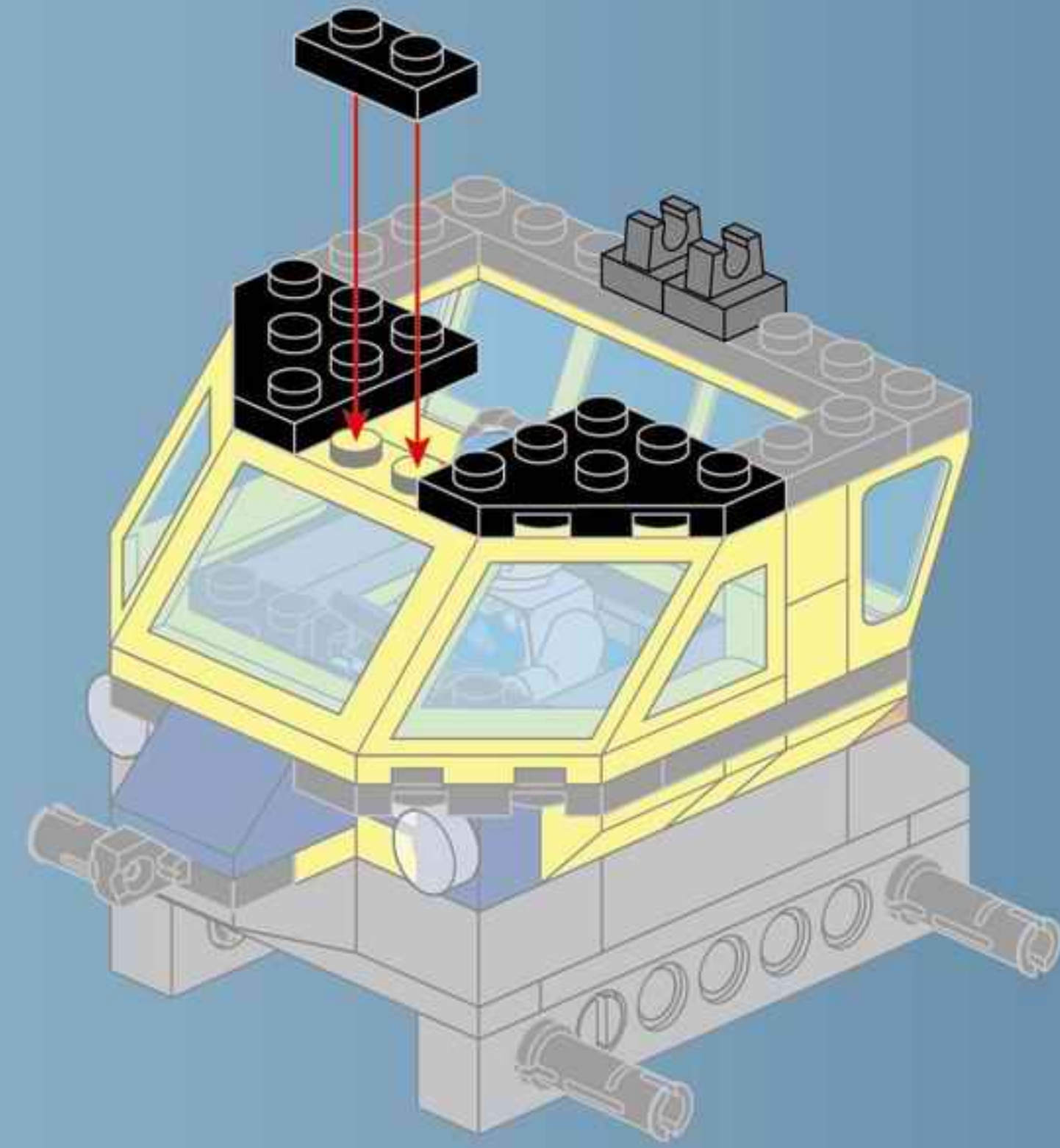
2x



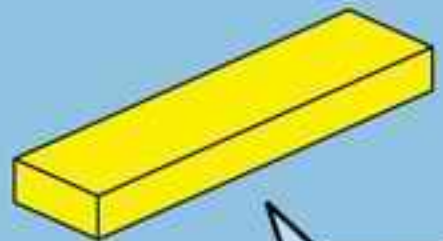
1x



2x

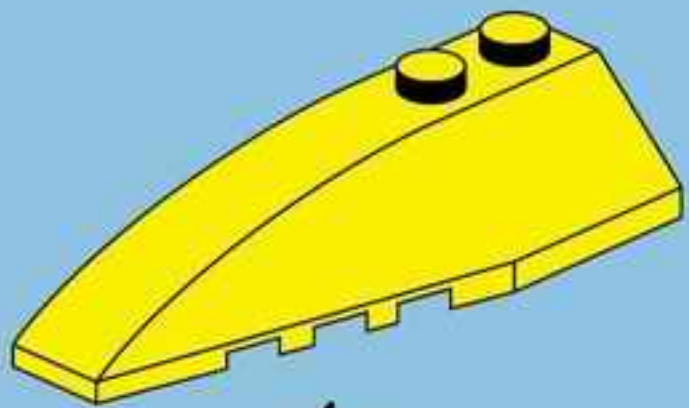


40

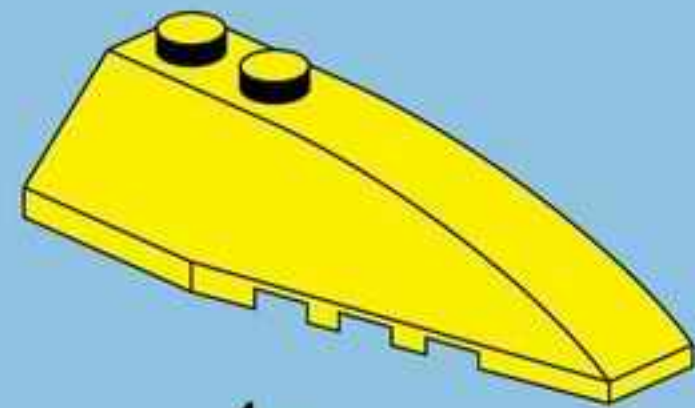


1x

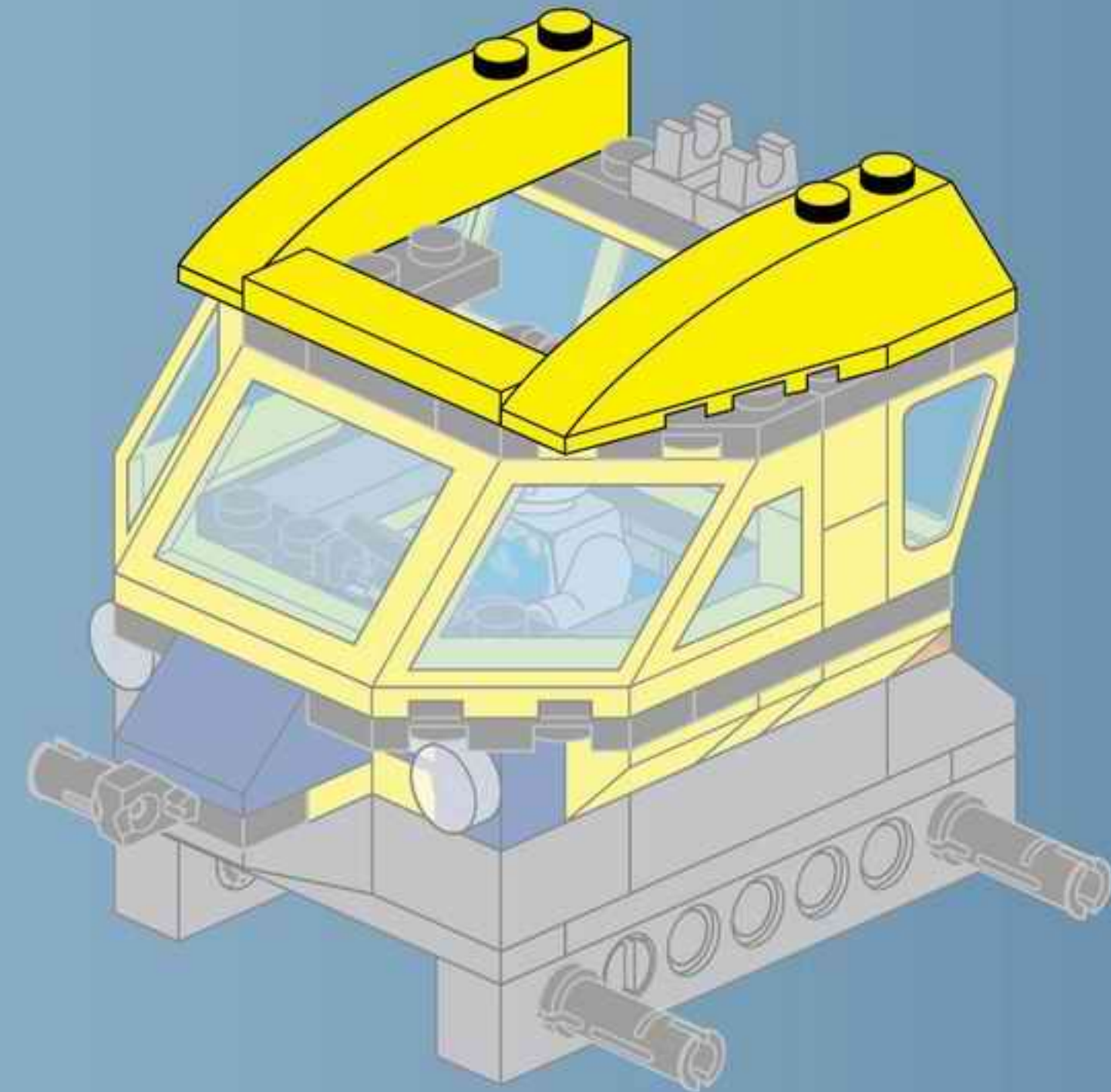
1x4



1x

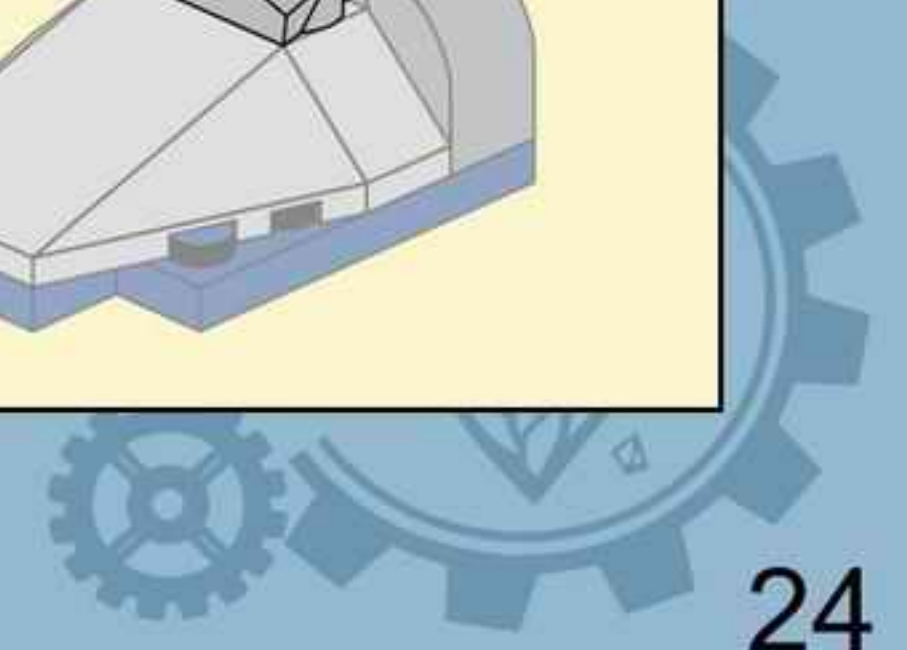
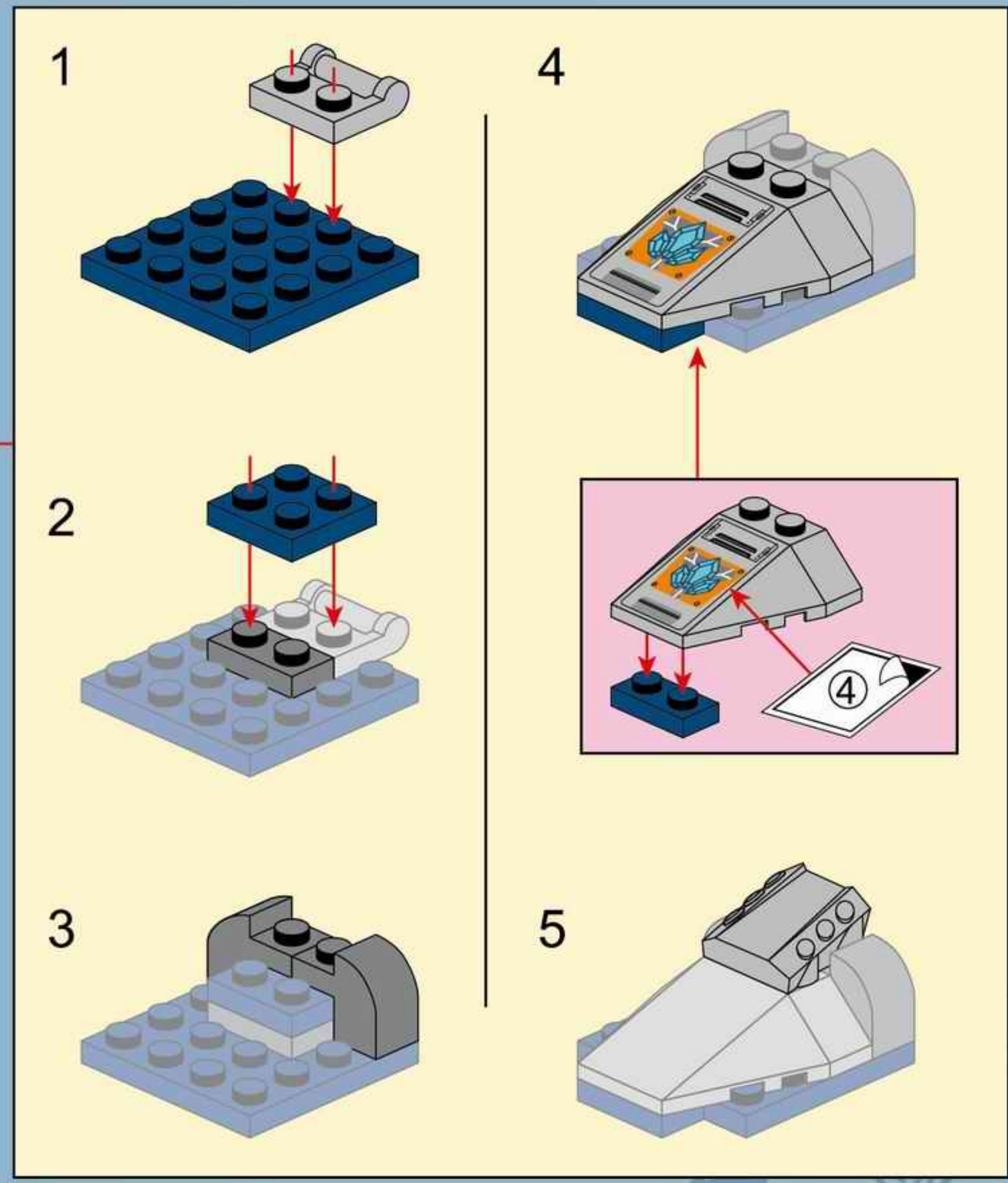
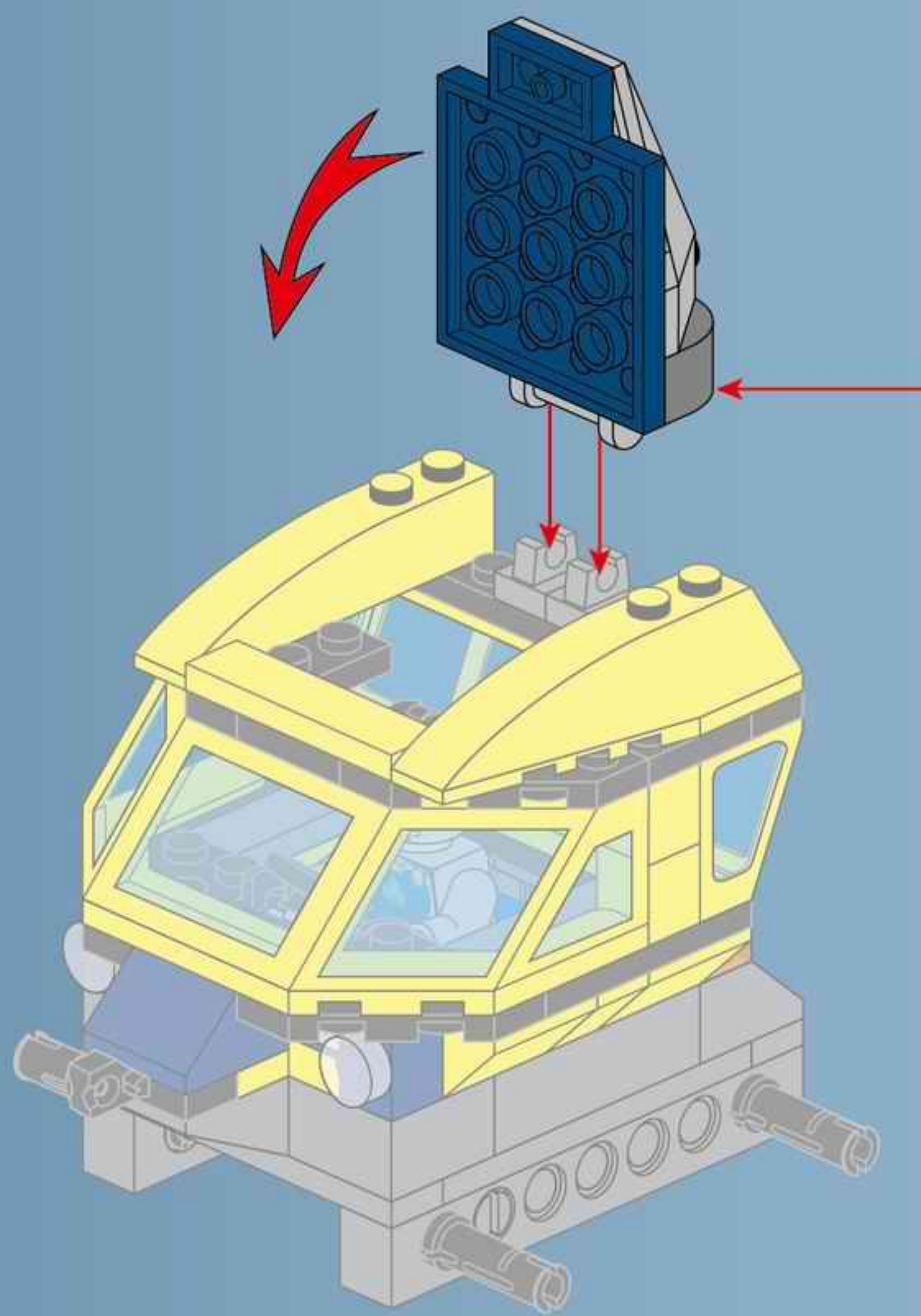
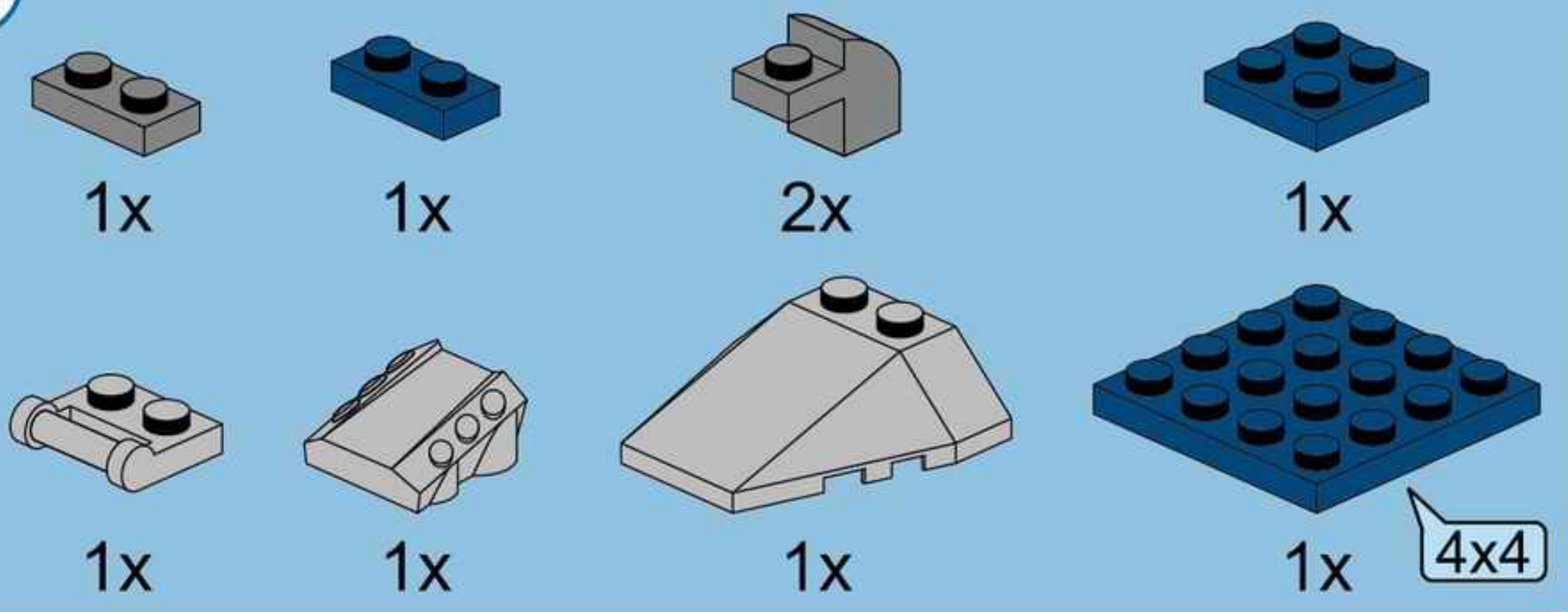


1x

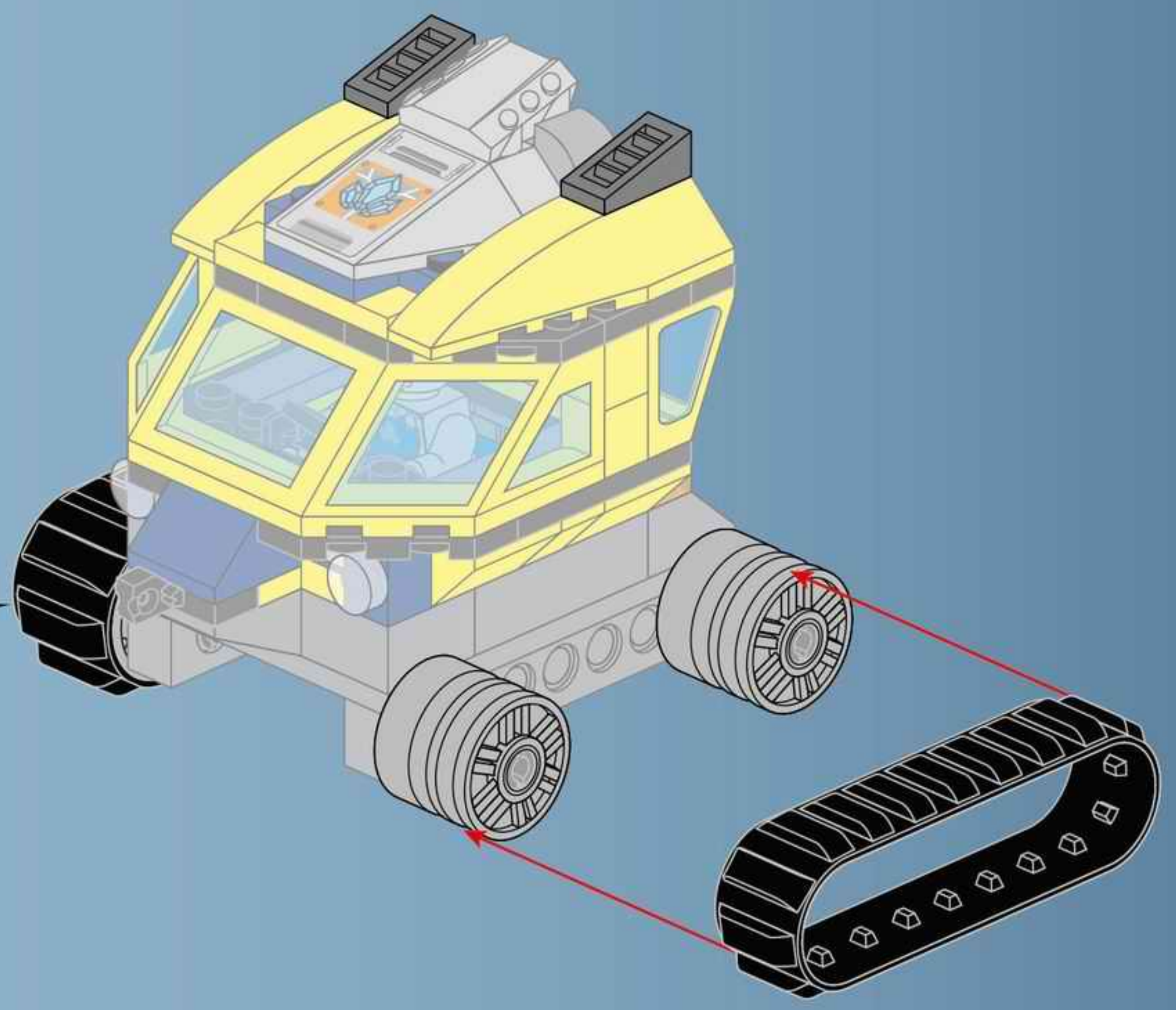
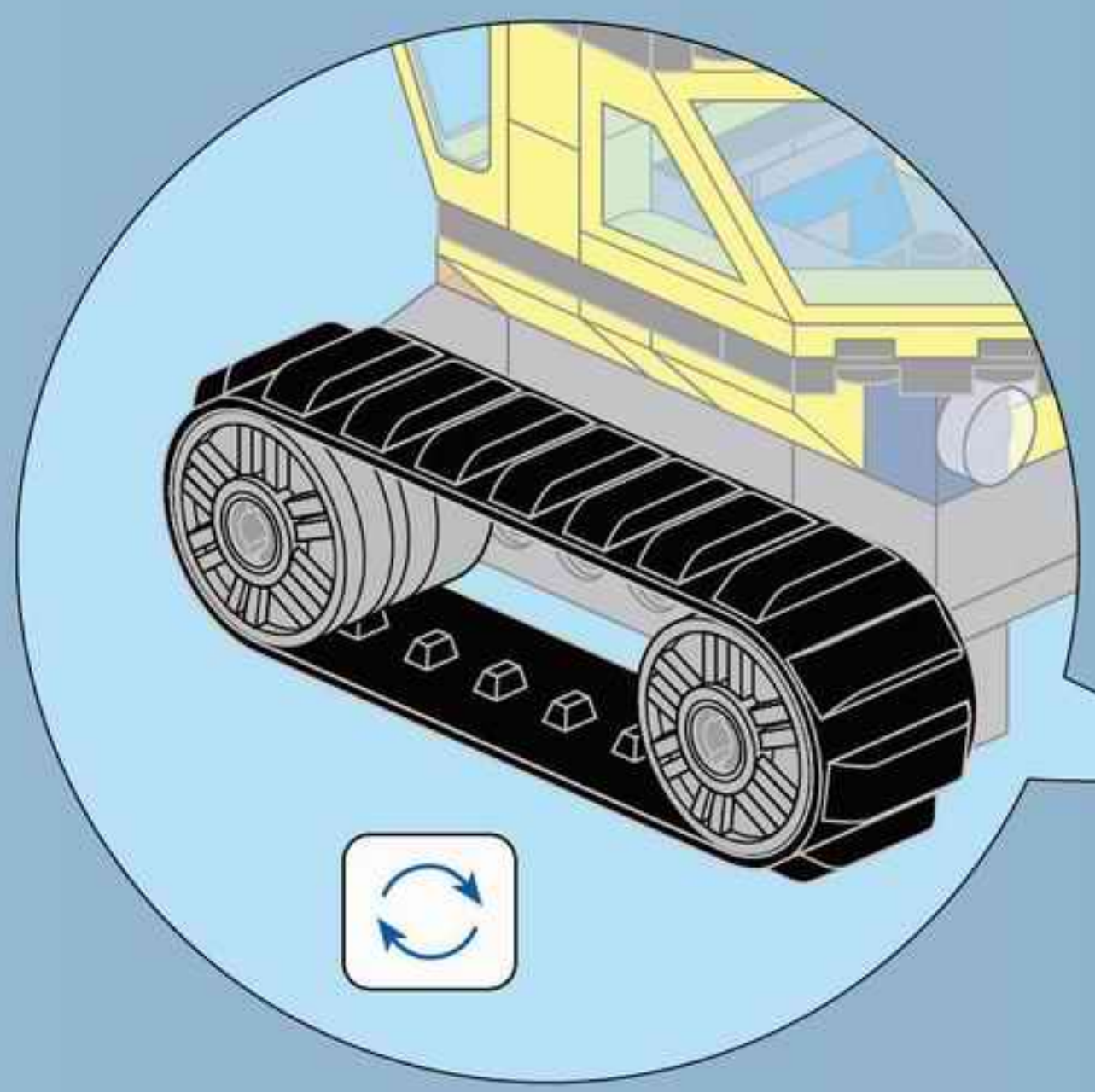
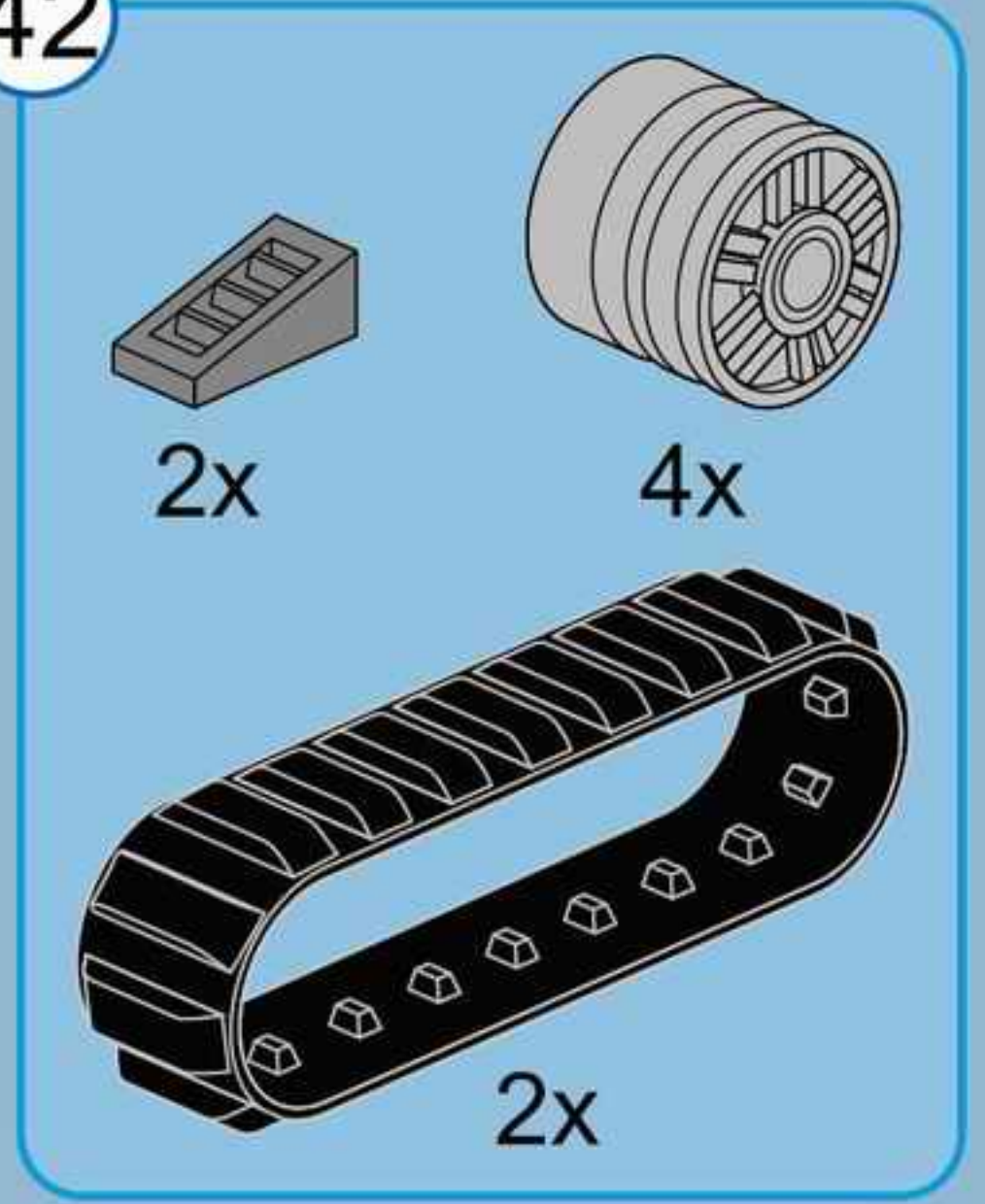




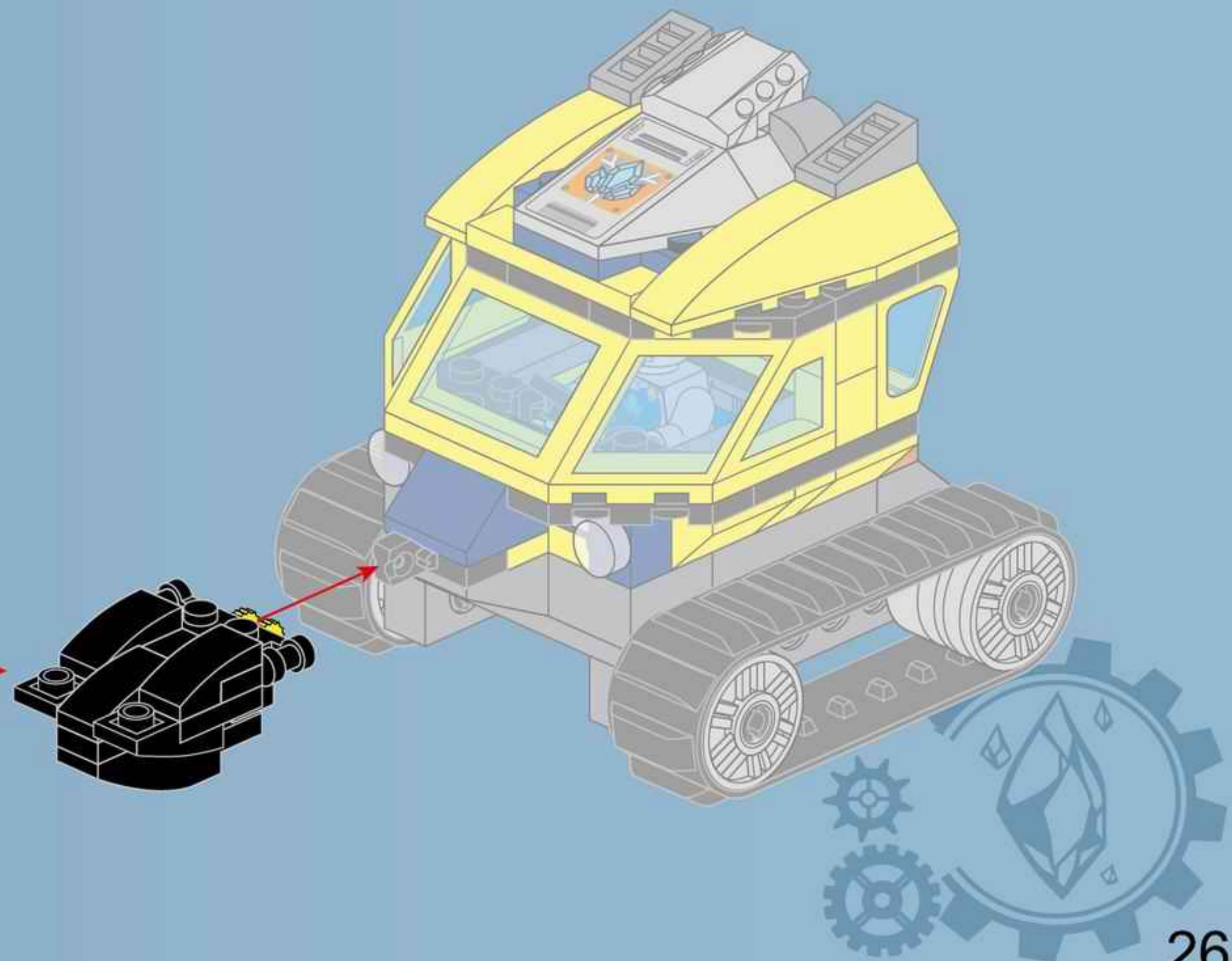
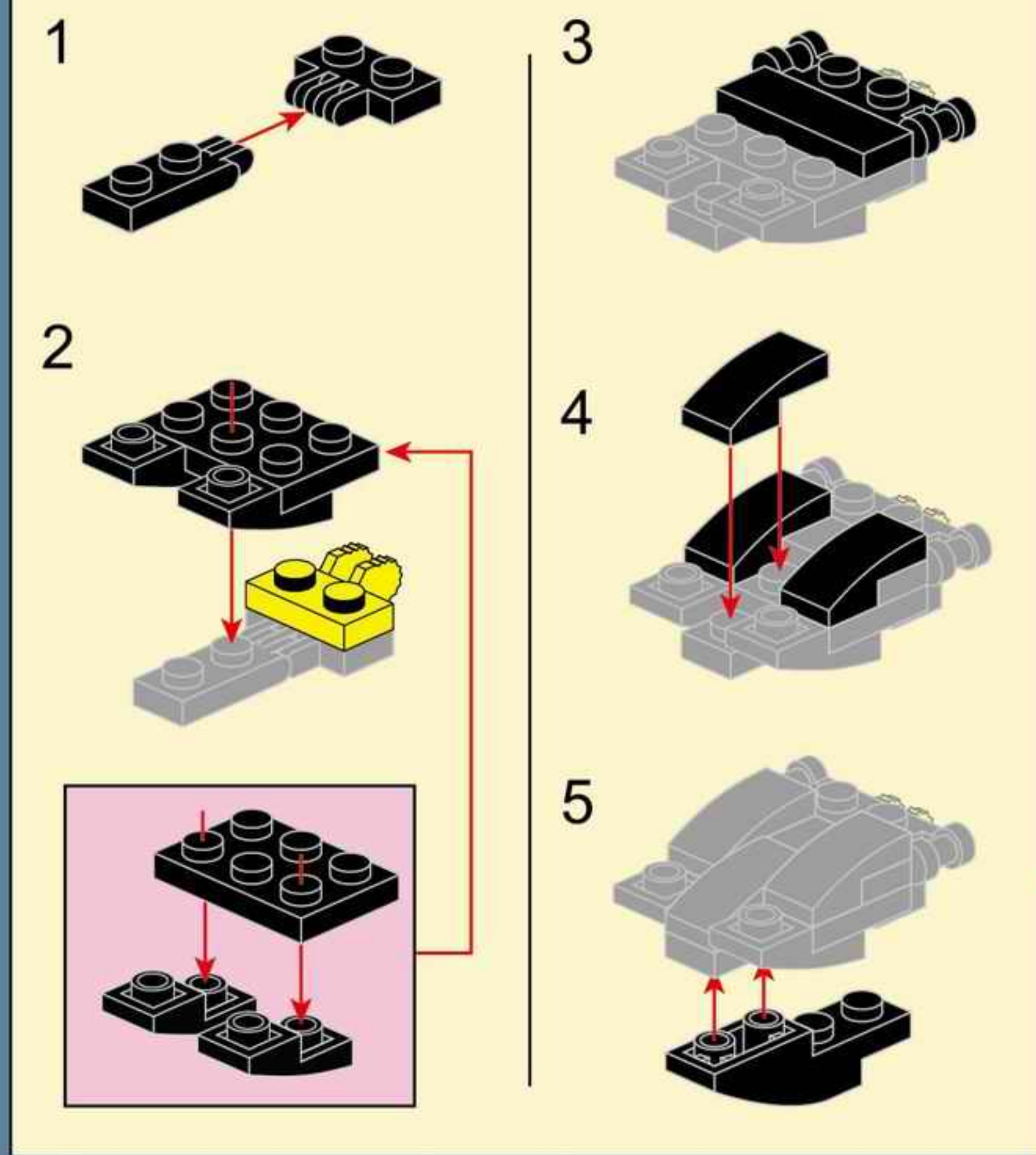
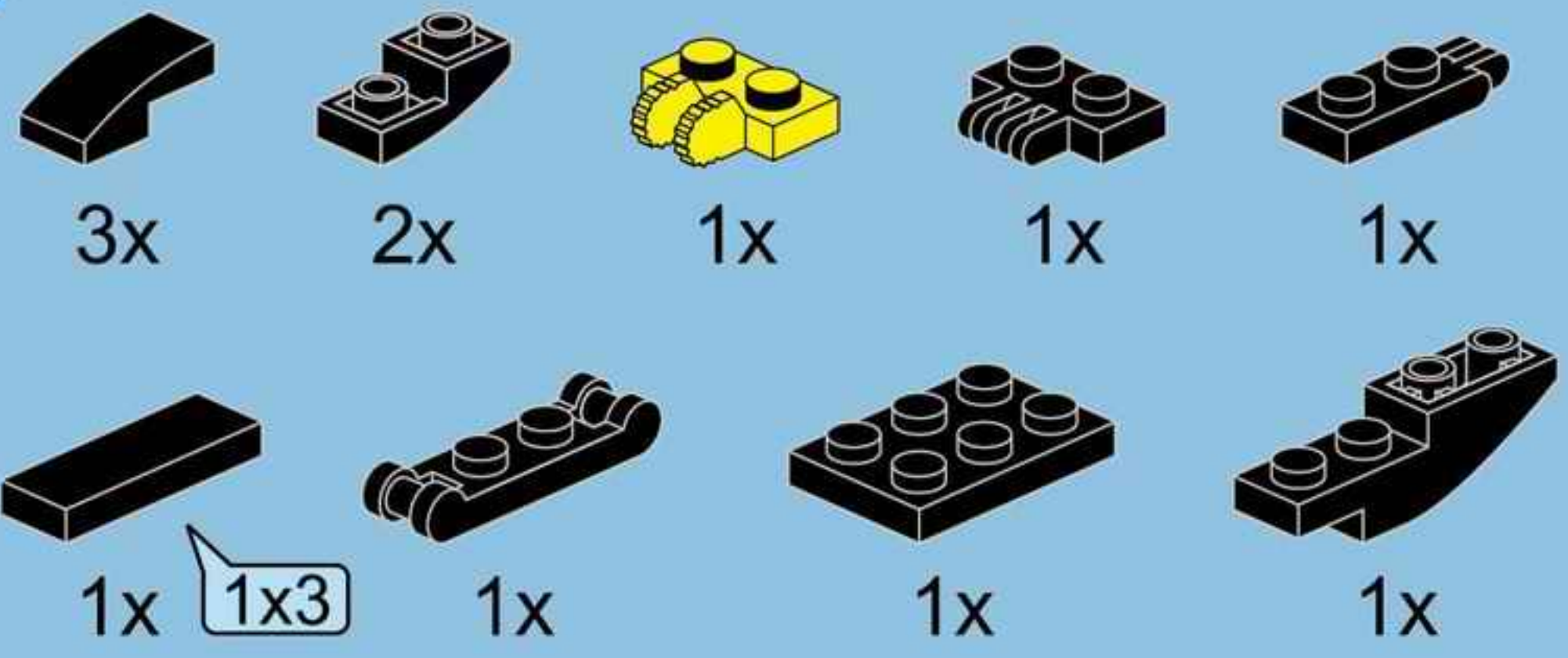
41



42



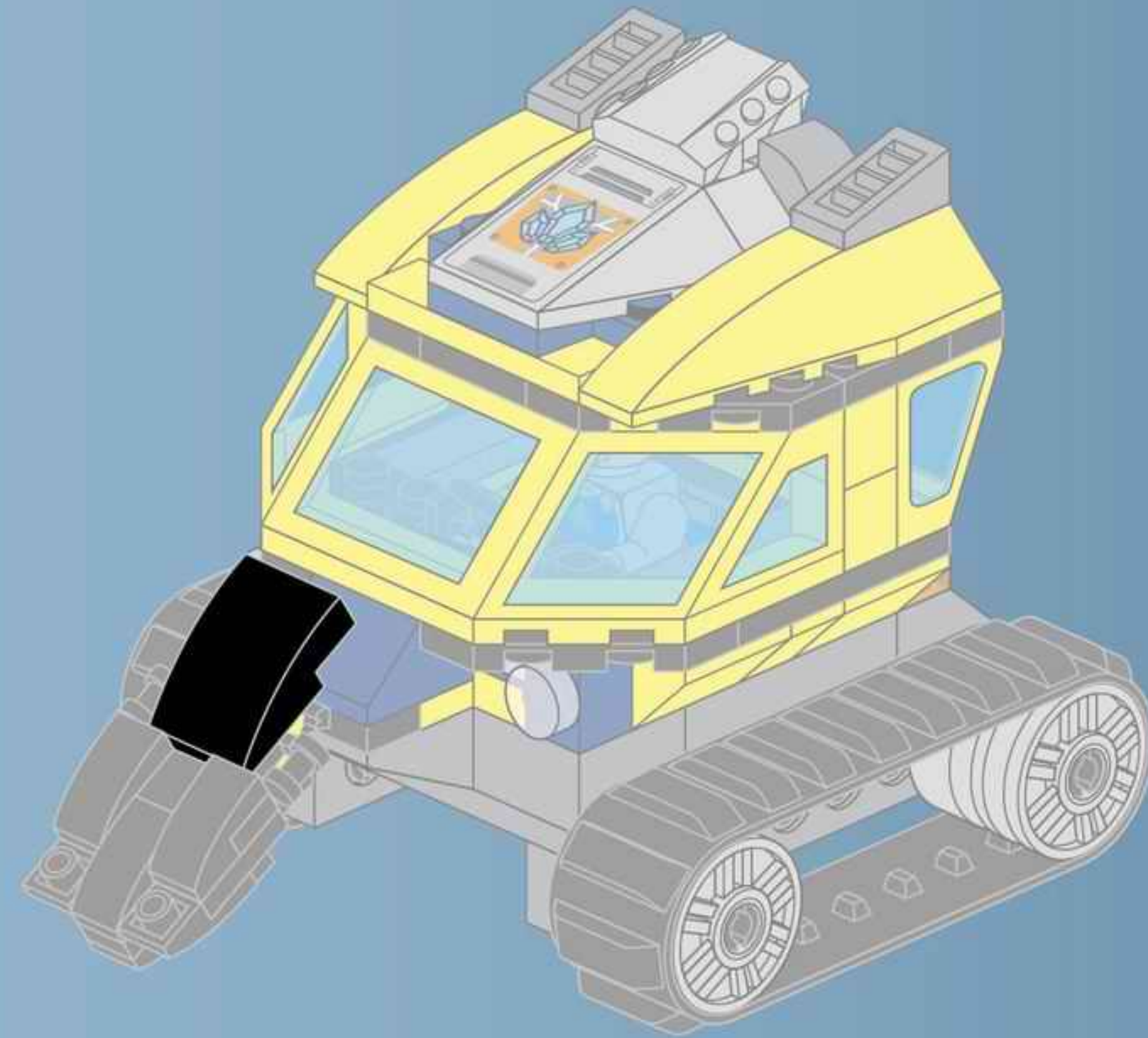
43



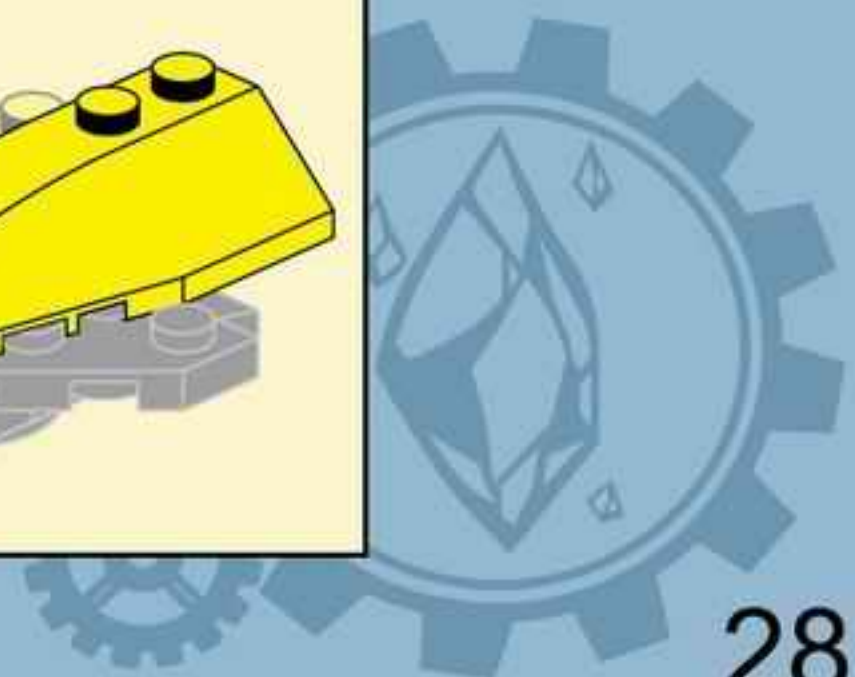
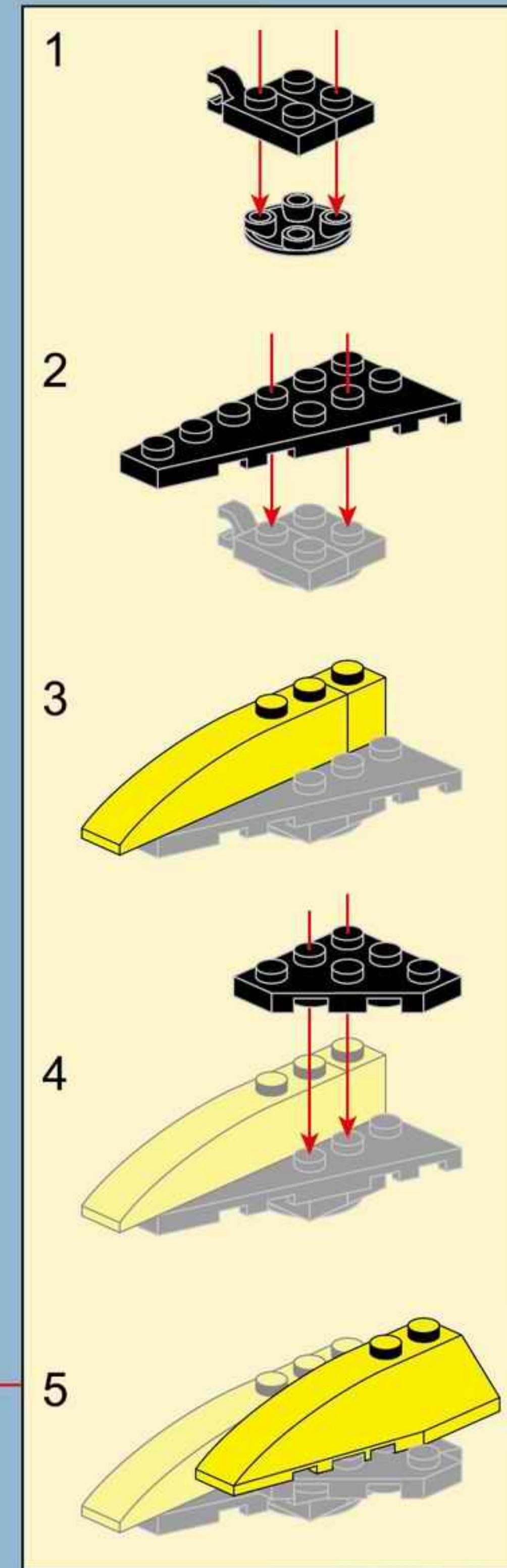
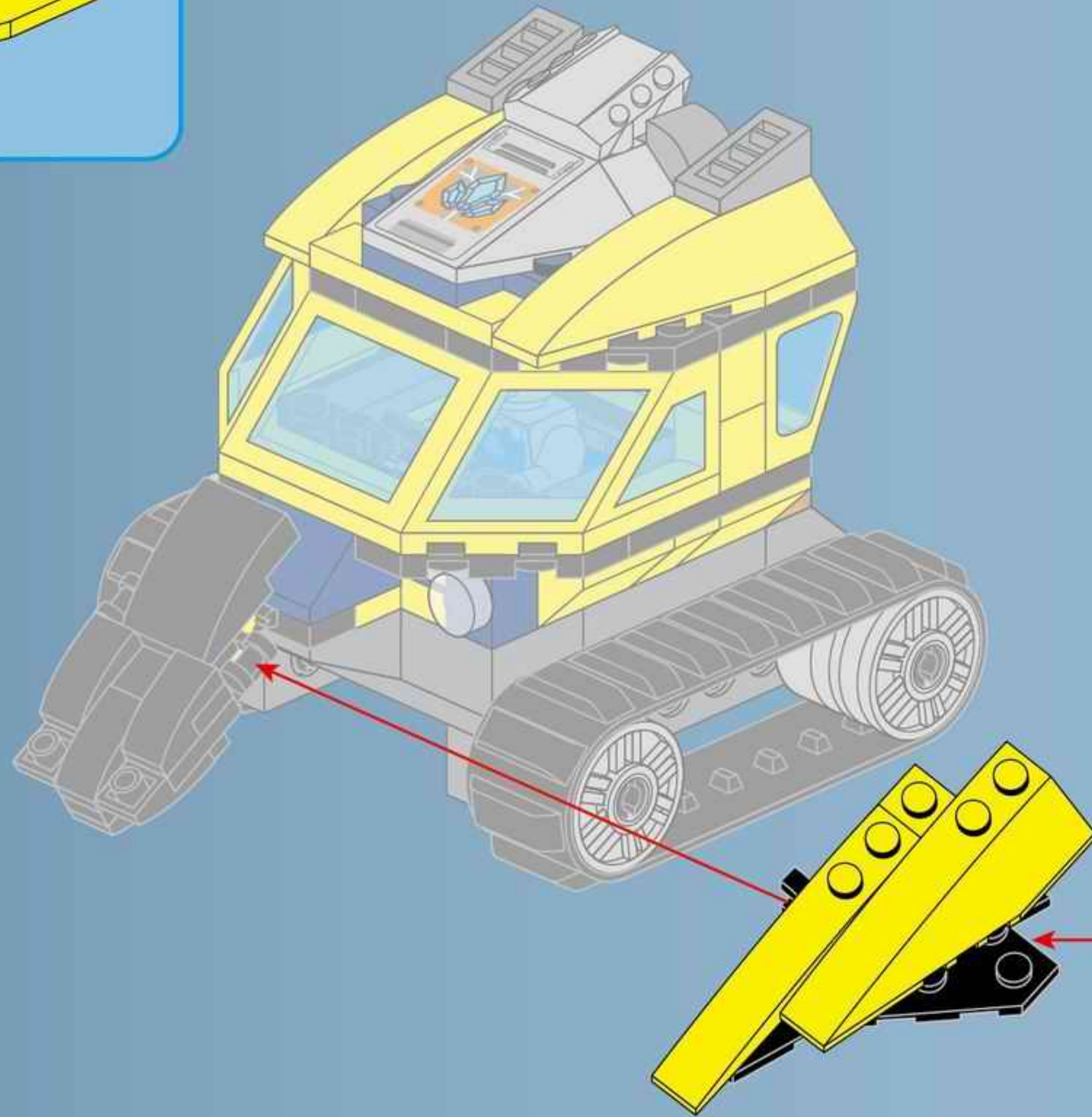
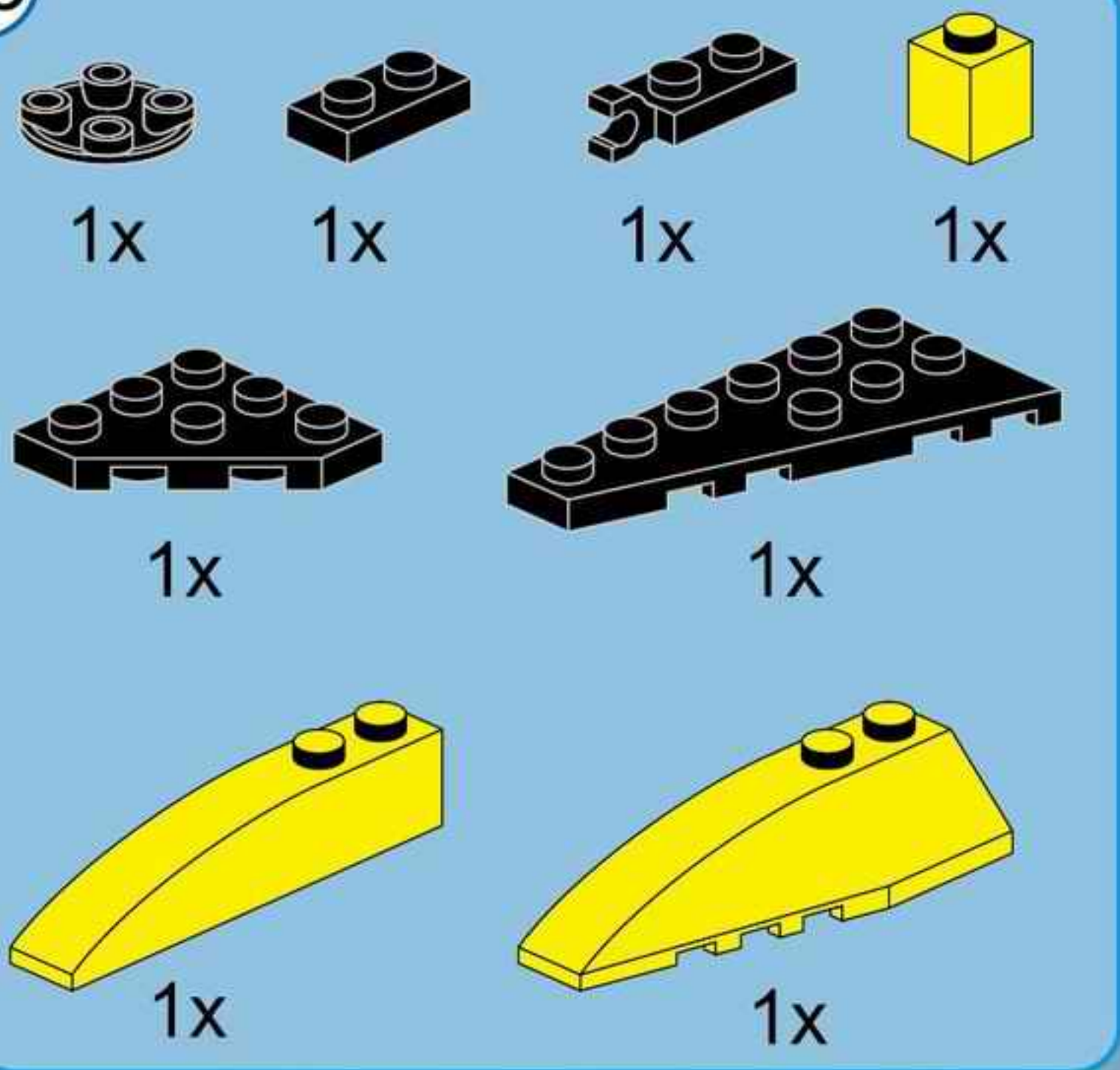
44



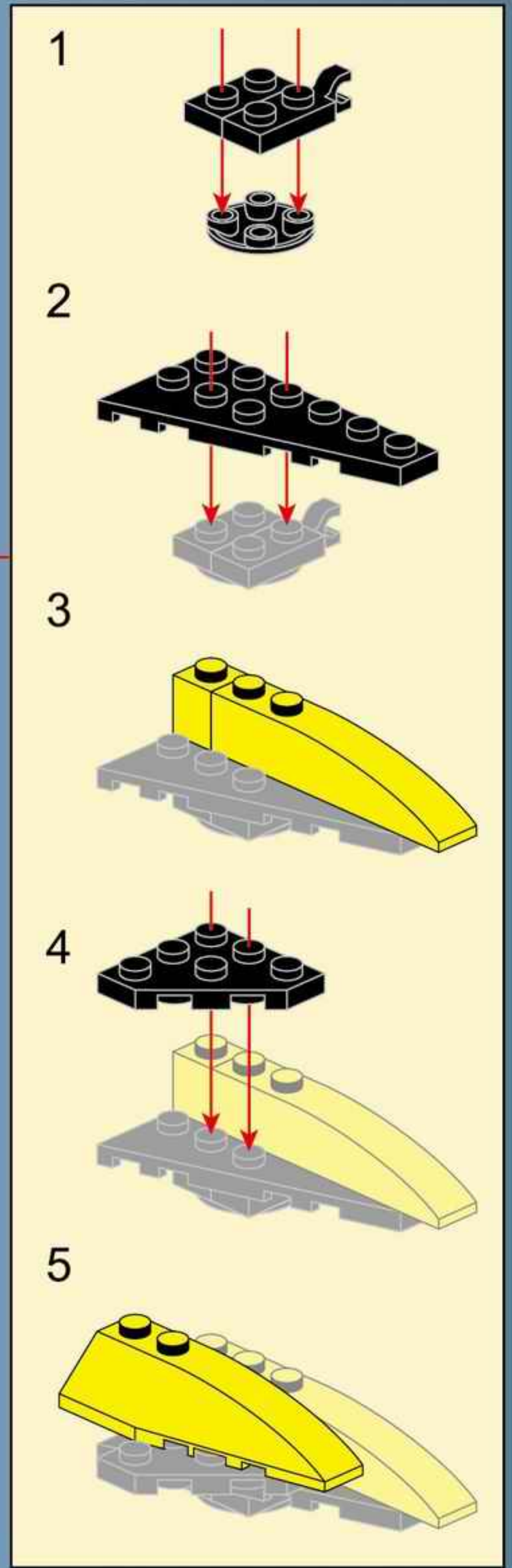
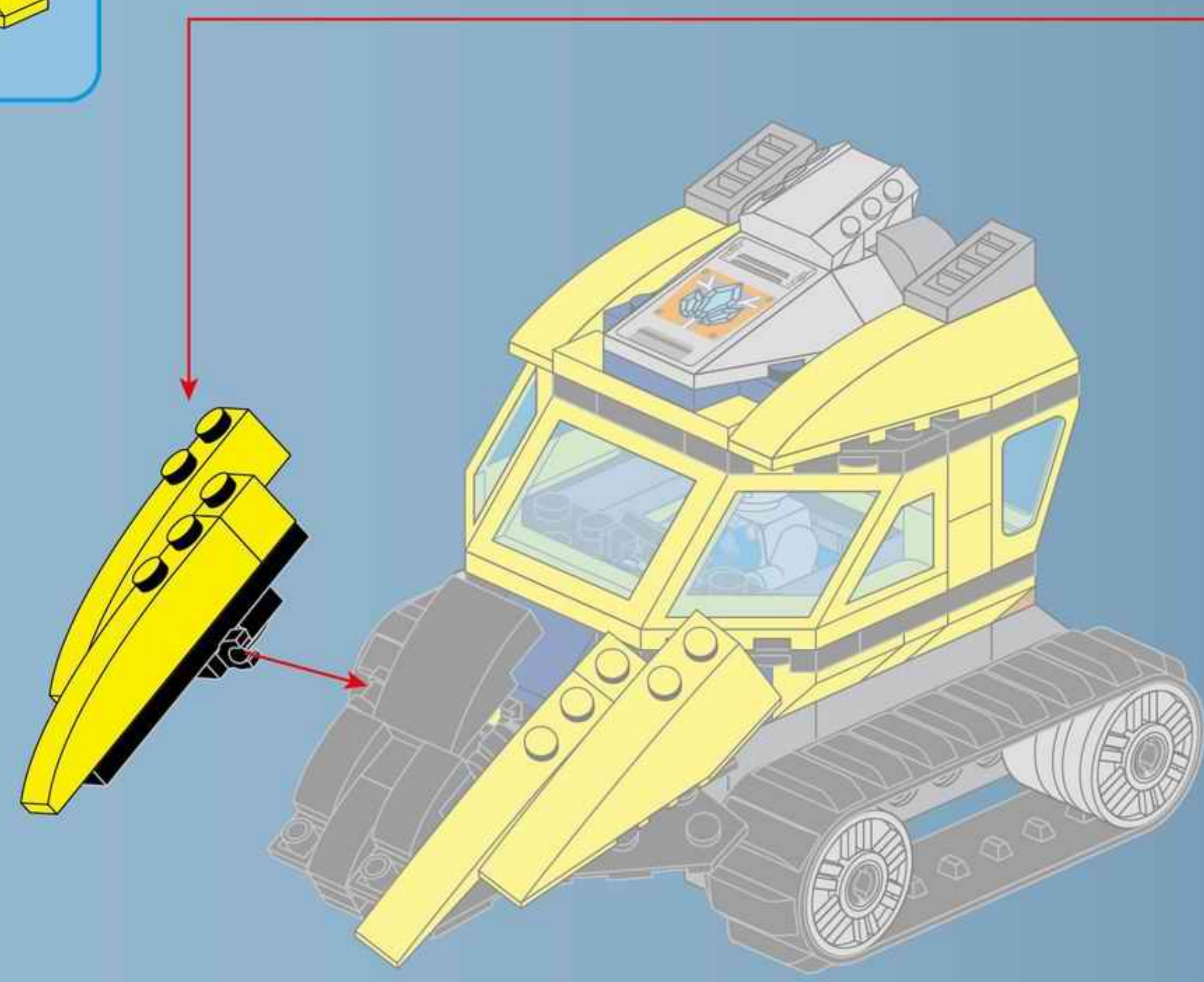
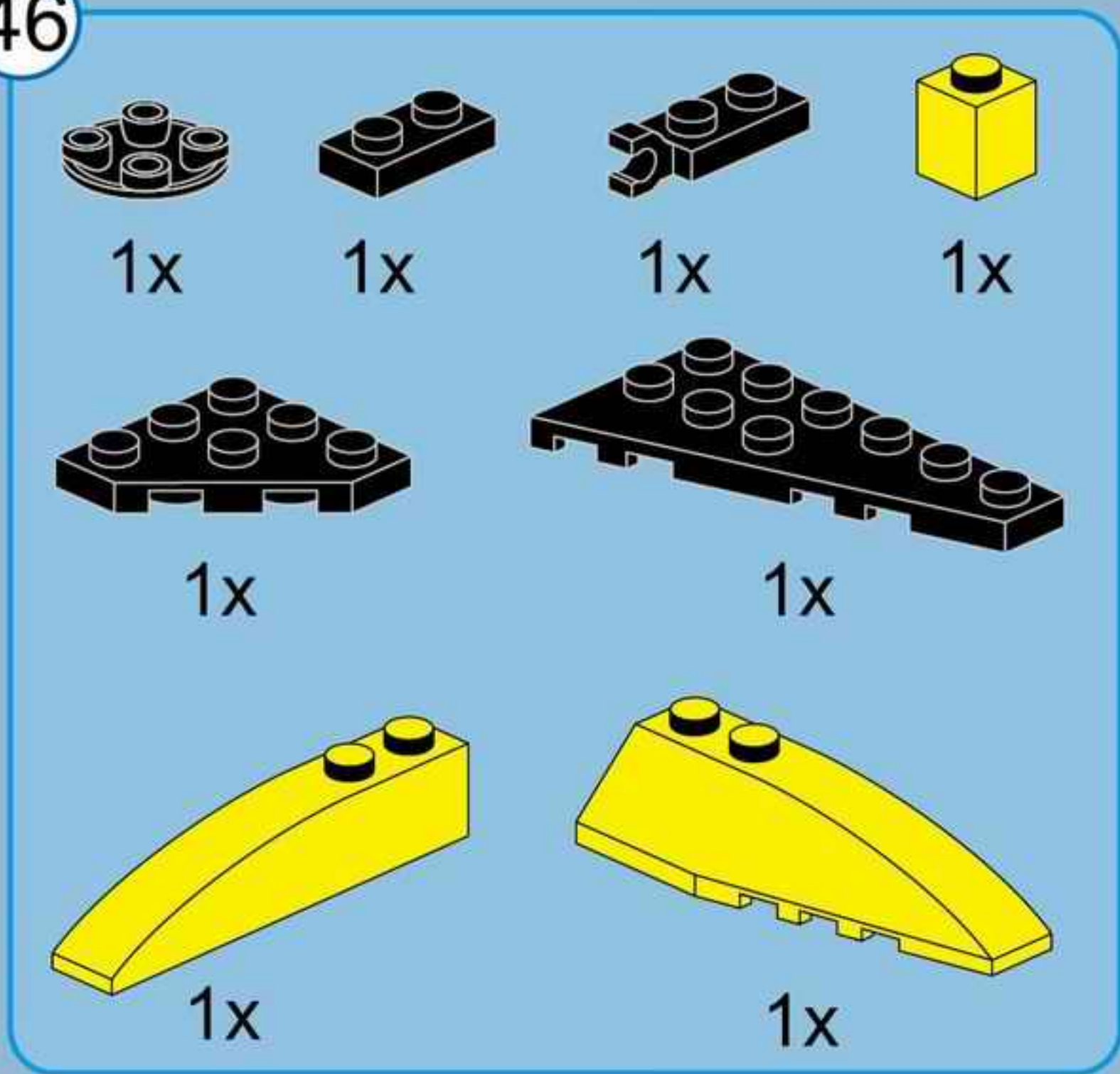
1x

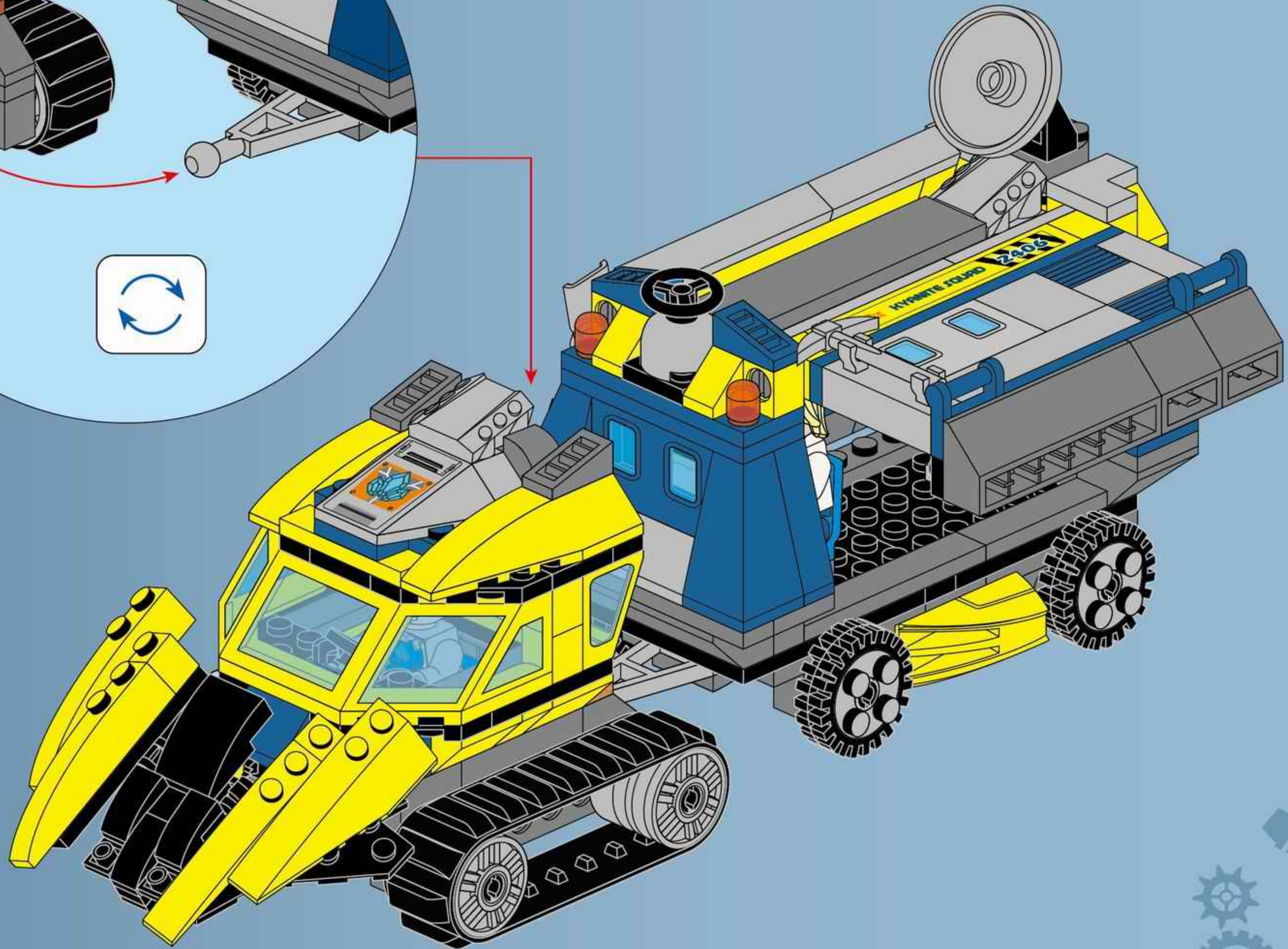
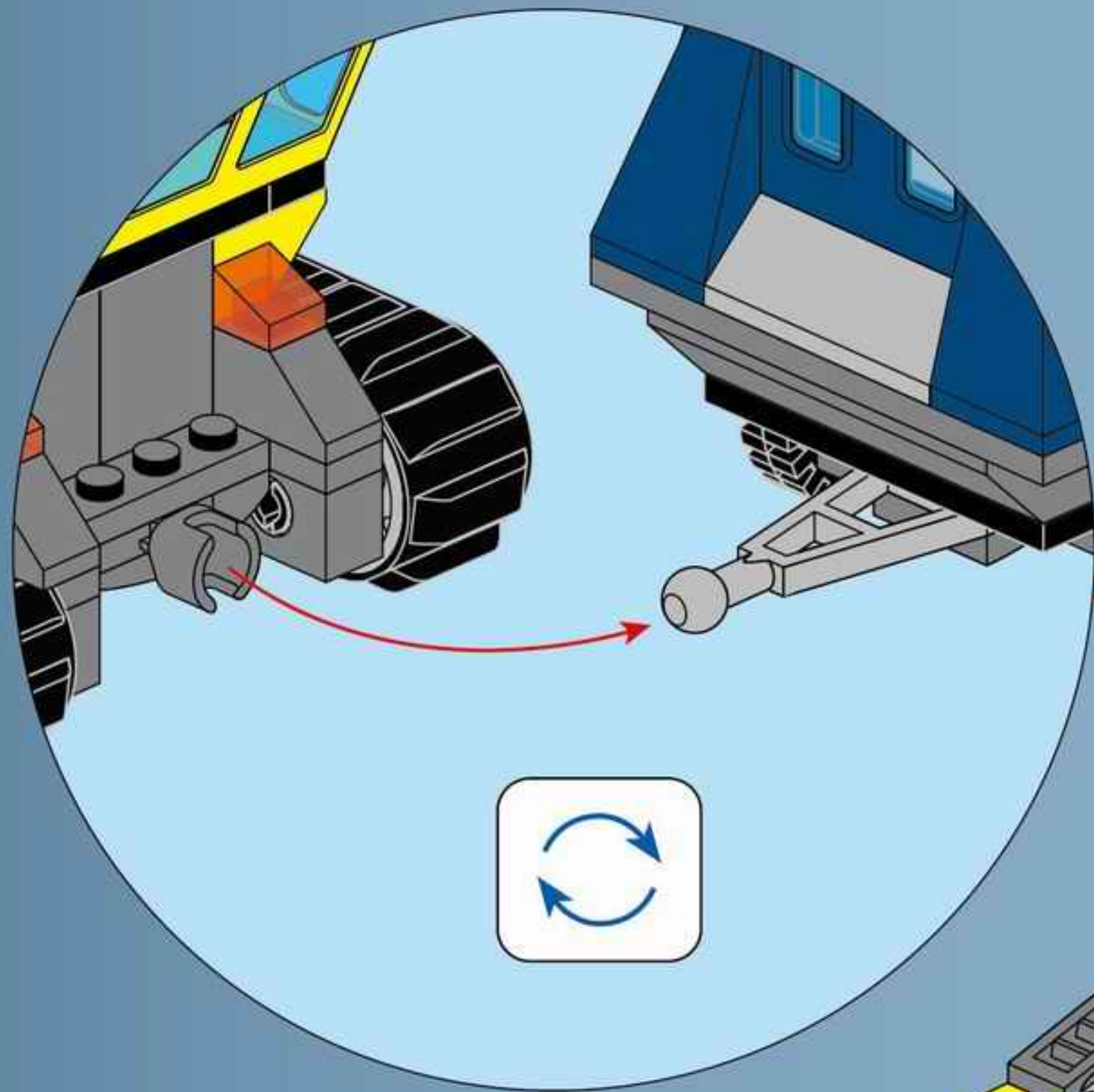


45



46







2406

# KYANITE SQUAD



2401 EXPLORATION VEHICLE



2402 ROCK BULLDOZER



2403 STONE CHOPPER



2404 ROCK SWEEPER



2405 ROCK GRINDER



2406 LABORATORY RV



2407 KYANITE TRANSPORTER



2408 HEAVY-LIFT AIRCRAFT



2409 DRILLER PLATFORM



2410 EXCAVATOR



2411 DUMPTURUCK MONSTER



2412 ALPHA EXPLORATION BASE