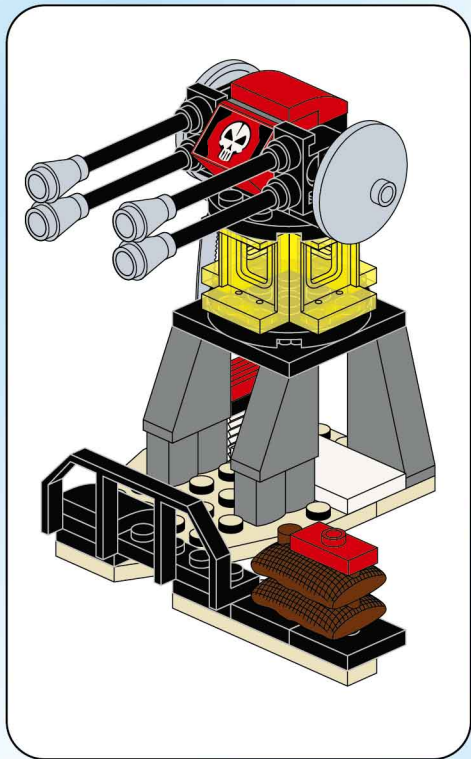
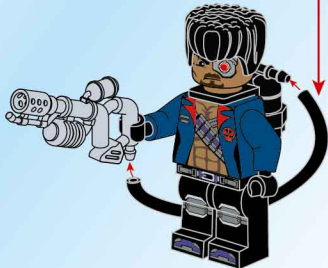
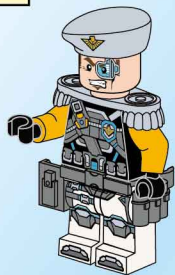
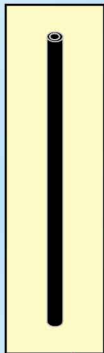
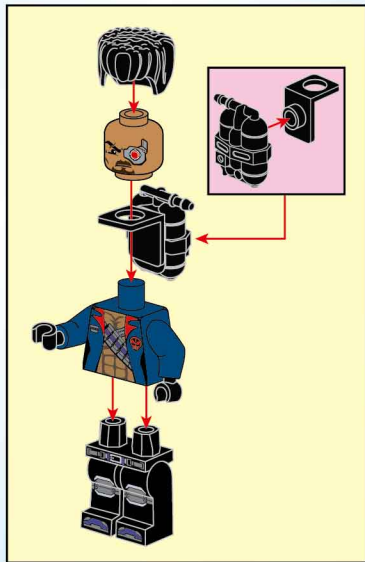
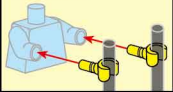
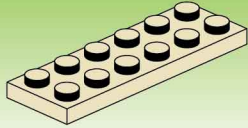


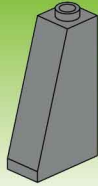
sketch map of fitting hand
装手示意图



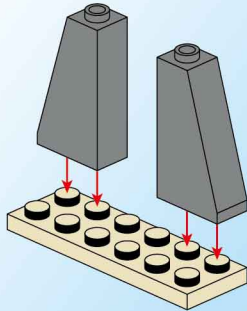
A1



1x



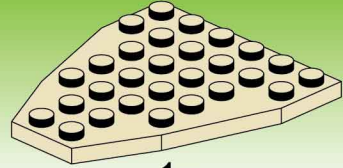
2x



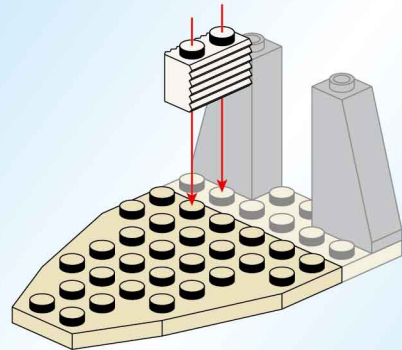
A2



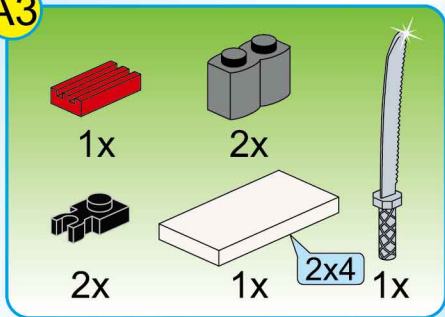
1x



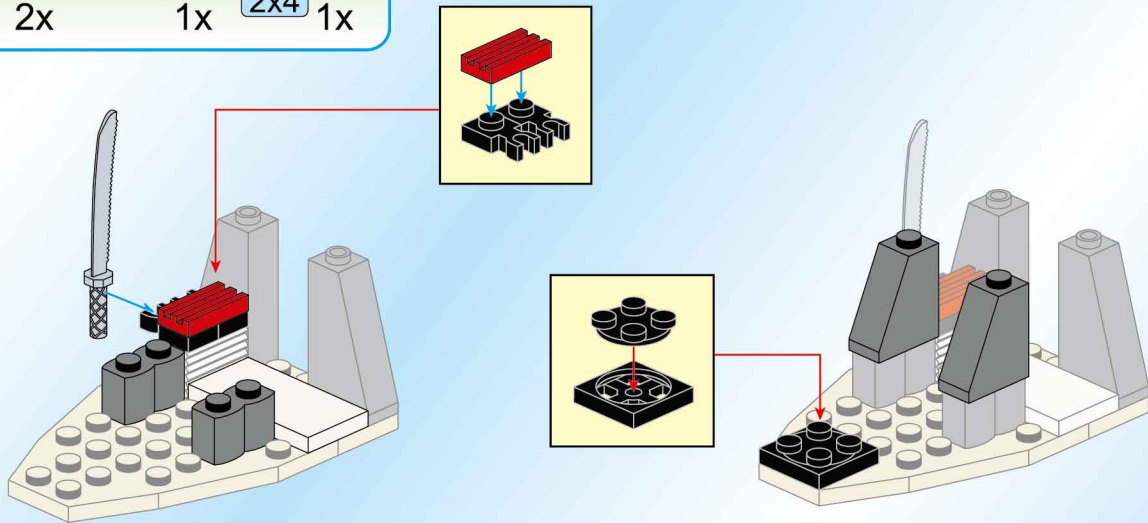
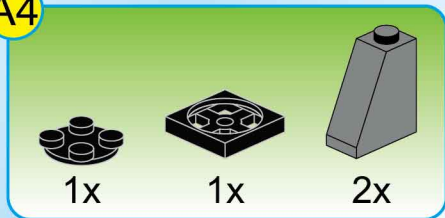
1x



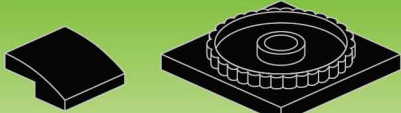
A3



A4

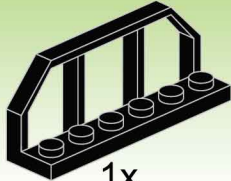


A5

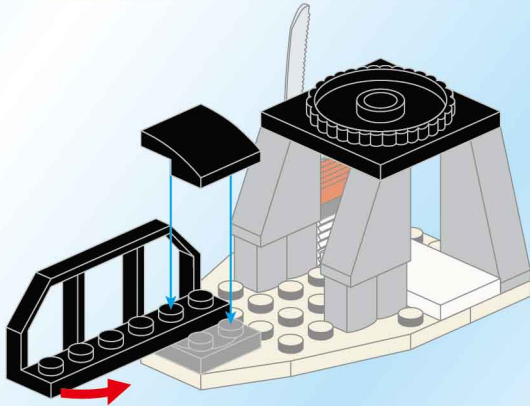


1x

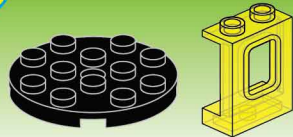
1x



1x

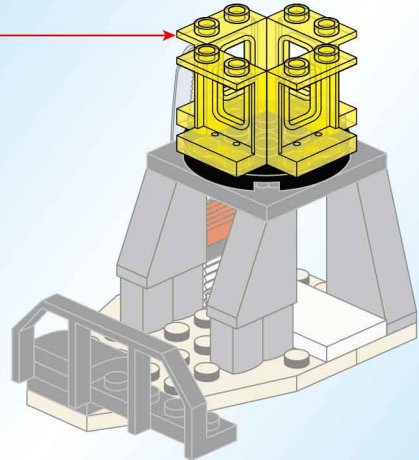
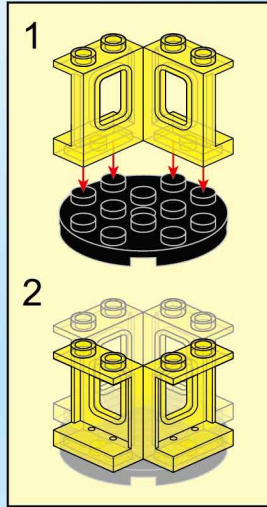


A6

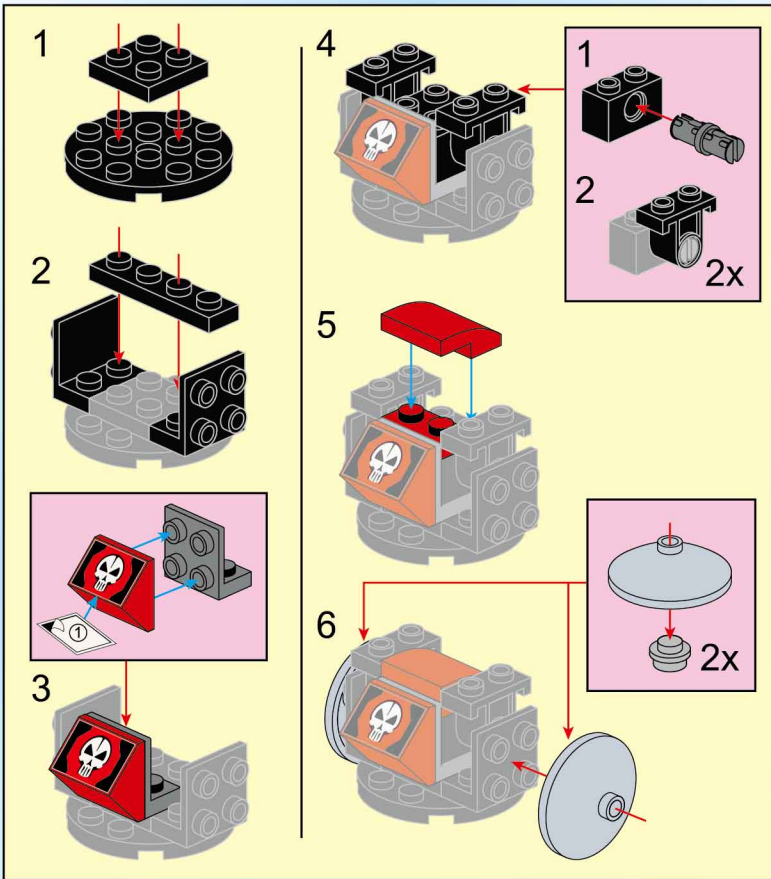
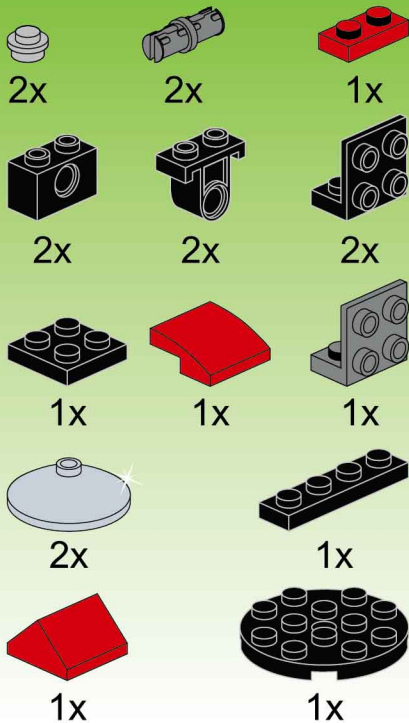


1x

4x



A7



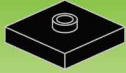
A8



1x



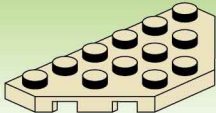
1x



2x



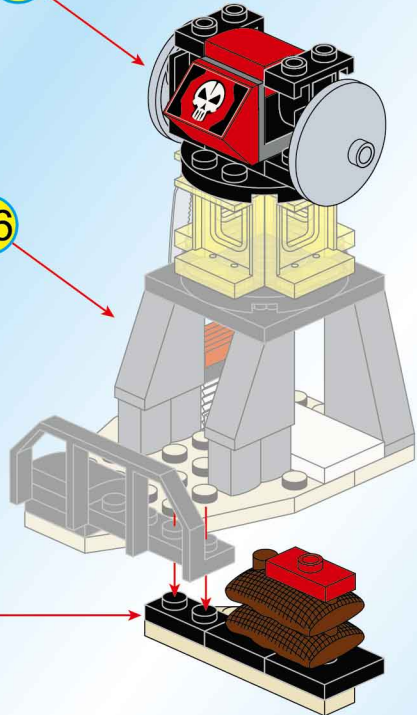
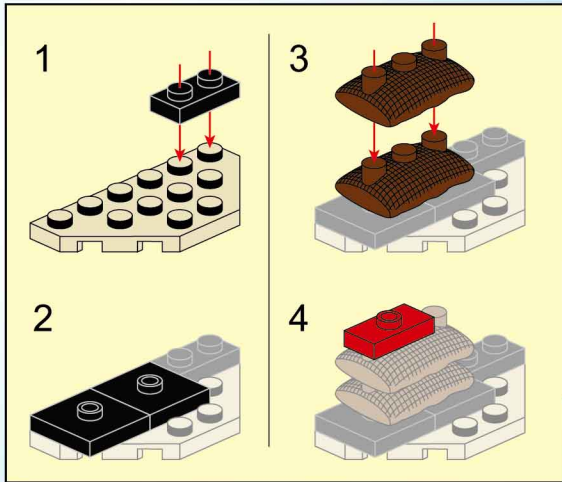
2x



1x

A7

A6



A9



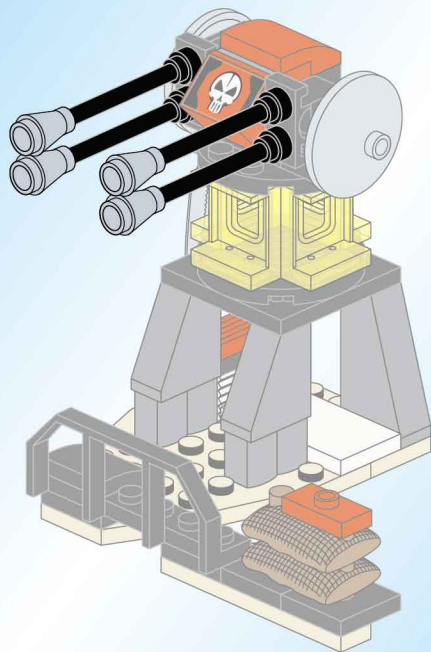
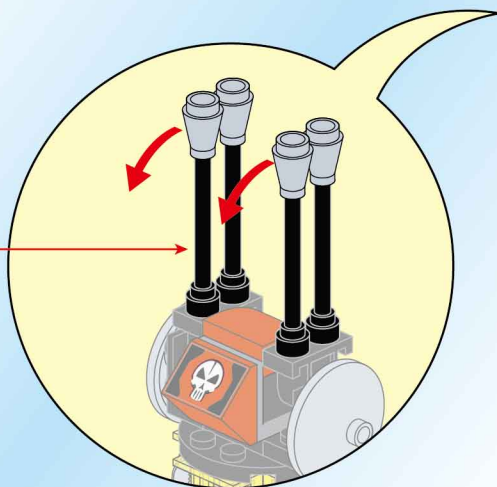
4x

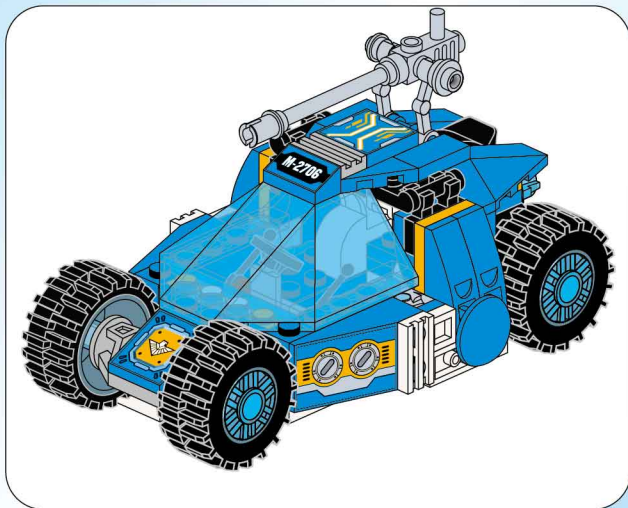


4x



4x

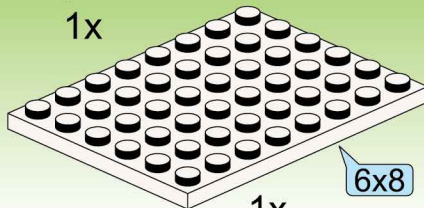




B1

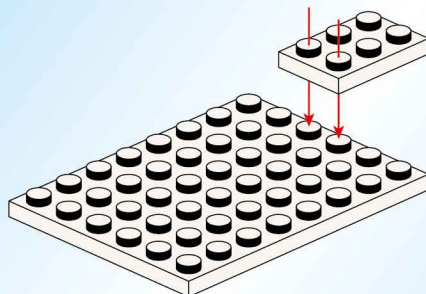


1x

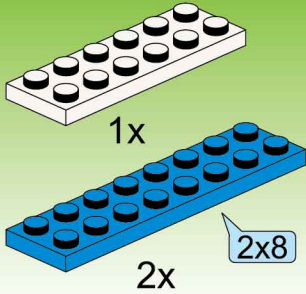


1x

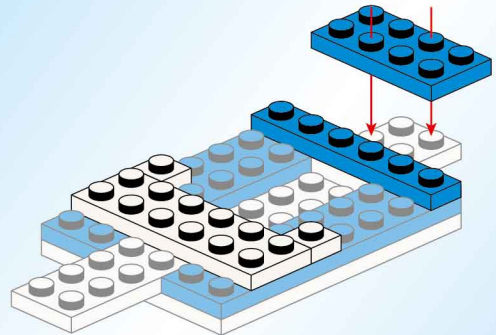
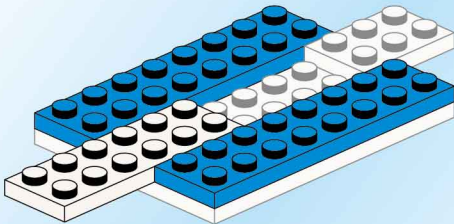
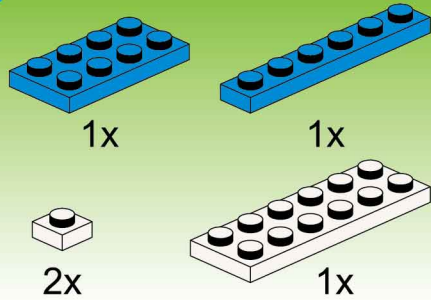
6x8



B2



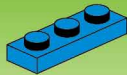
B3



B4



2x



2x



1x

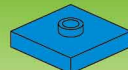


1x

B5



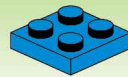
2x



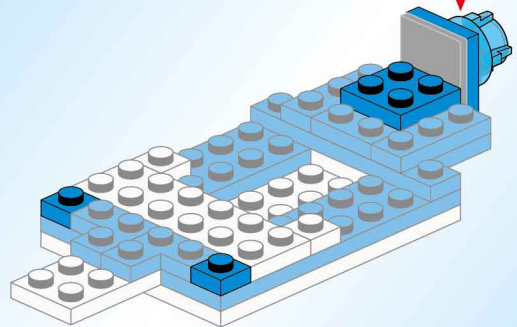
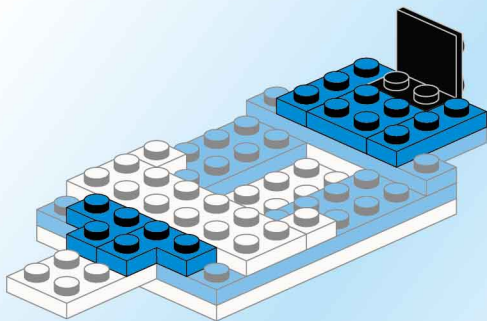
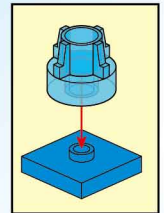
1x



1x



1x



B6



2x



2x

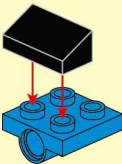


2x



2x

1



2



2x

B7

2x



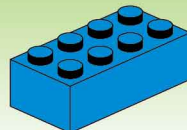
2x



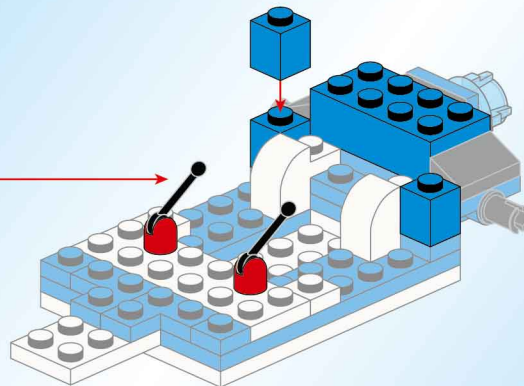
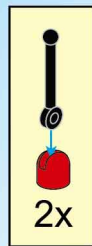
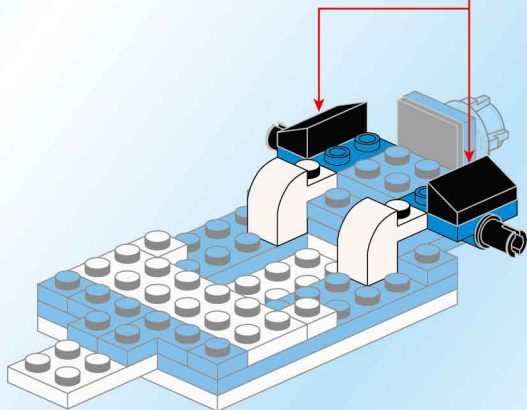
3x



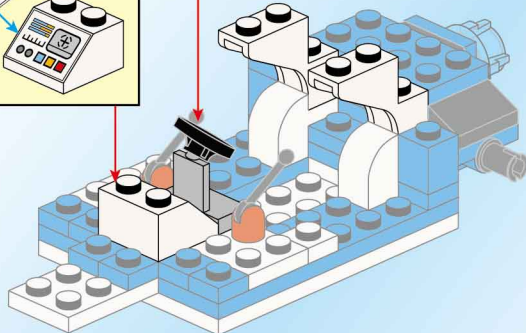
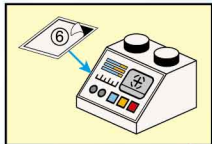
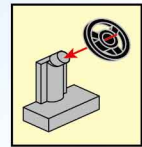
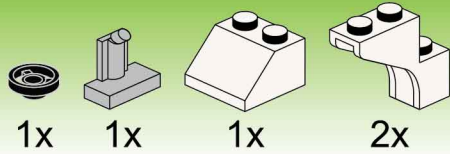
2x



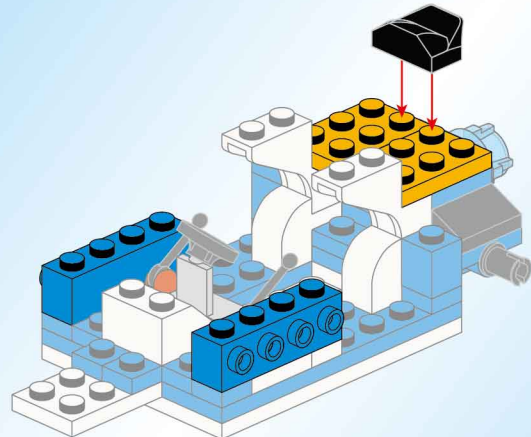
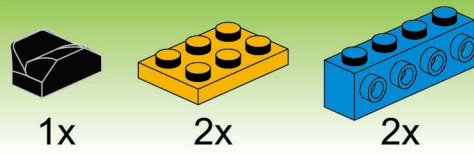
1x



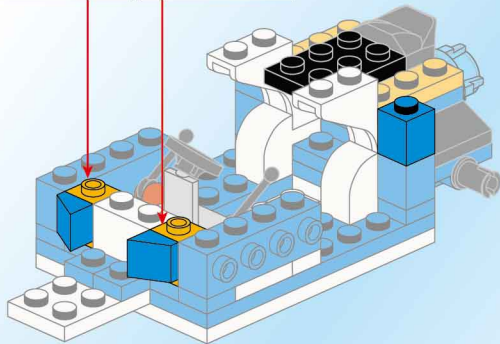
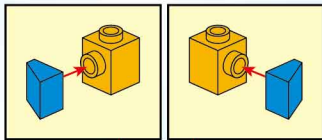
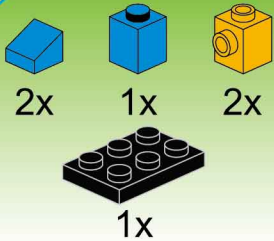
B8



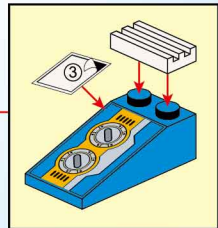
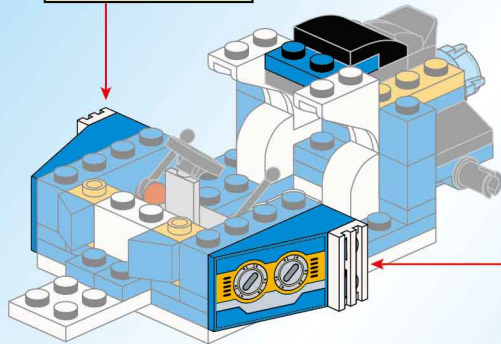
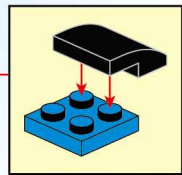
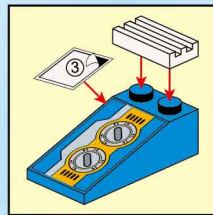
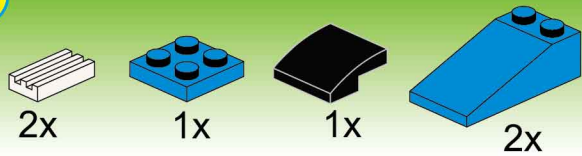
B9



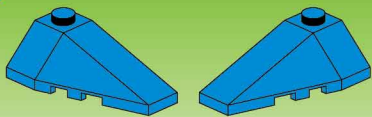
B10



B11

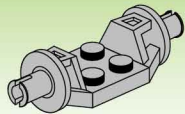


B12

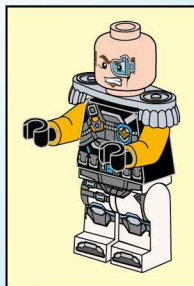


1x

1x



1x



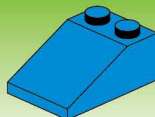
B13



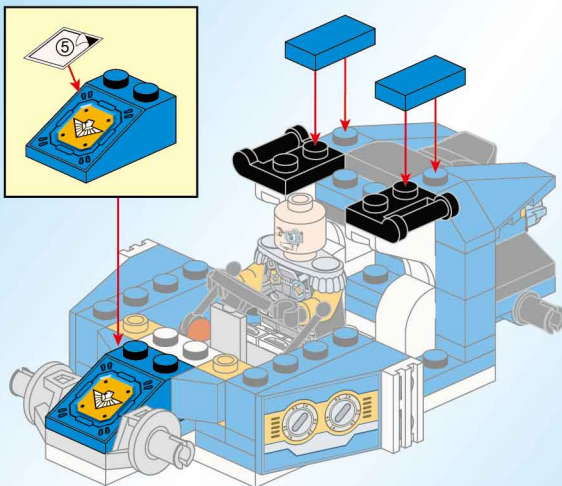
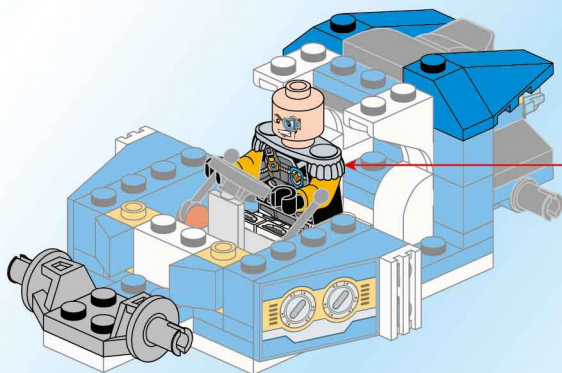
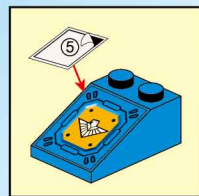
2x



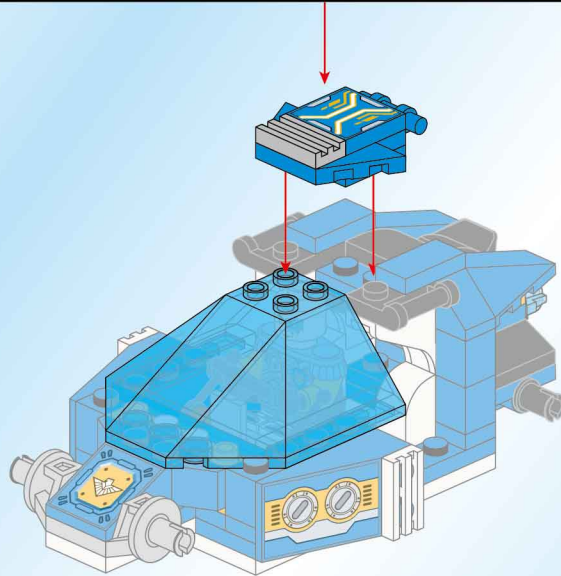
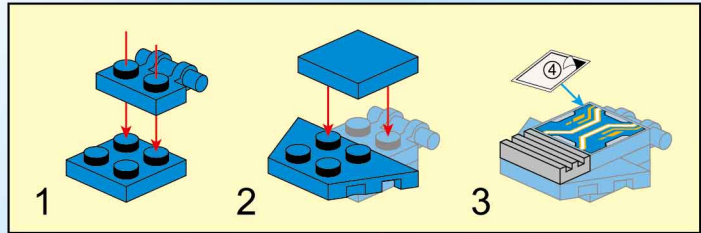
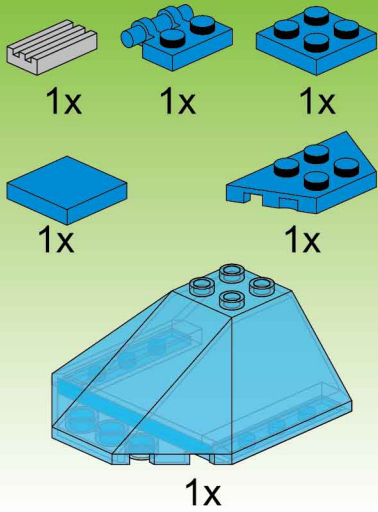
2x



1x



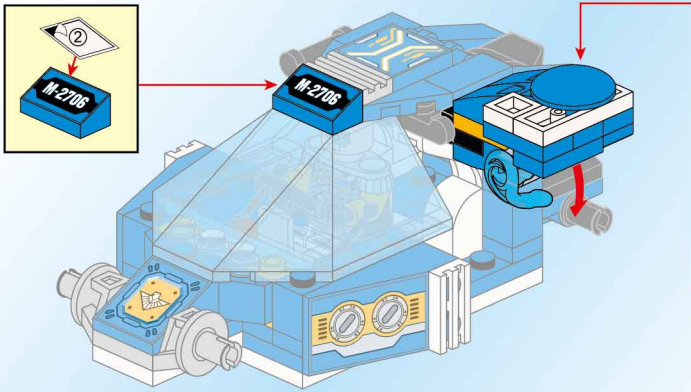
B14



B15

Parts list for step B15:

- 1x Blue 1x4 Technic Plate with 4 Holes
- 1x Blue 1x2 Technic Plate
- 1x Blue 1x2 Technic Plate
- 1x White 1x4 Technic Plate with 2 Holes
- 1x White 1x2 Technic Plate with 1 Hole
- 1x Black 1x3 Technic Plate with 3 Holes
- 1x Grey 1x2 Technic Plate with 1 Hole
- 1x Yellow 1x4 Technic Plate with 4 Holes
- 1x Blue 1x2 Technic Plate with 1 Hole
- 1x Blue 1x2 Technic Plate with 1 Hole
- 1x Blue 1x2 Technic Plate with 2 Holes
- 2x Blue 1x2 Technic Plate with 2 Holes
- 1x Blue 1x2 Technic Plate with 1 Hole



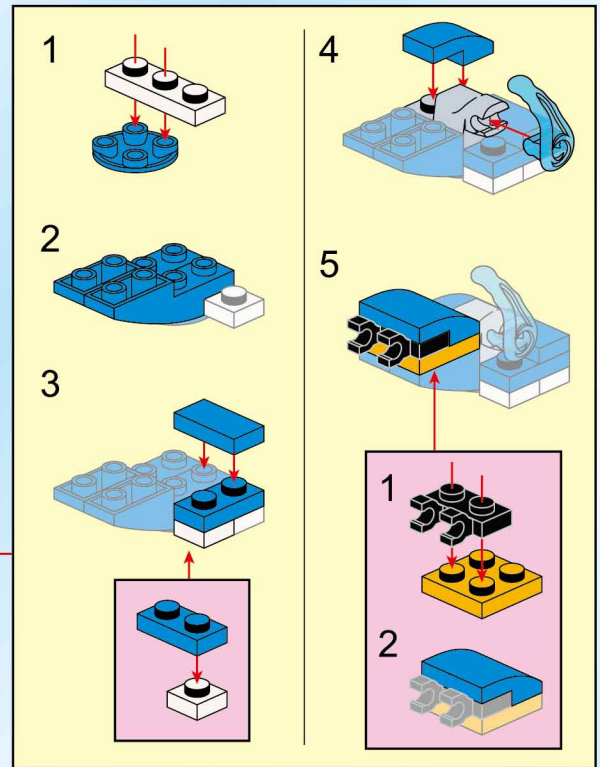
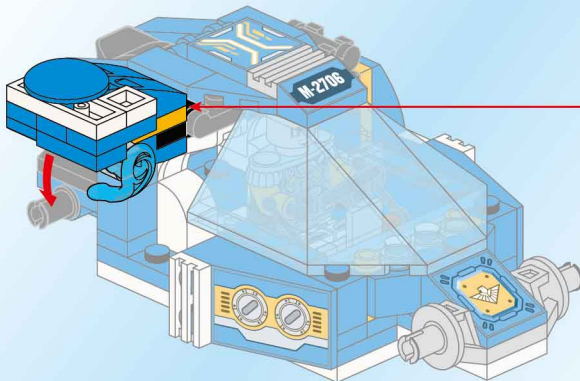
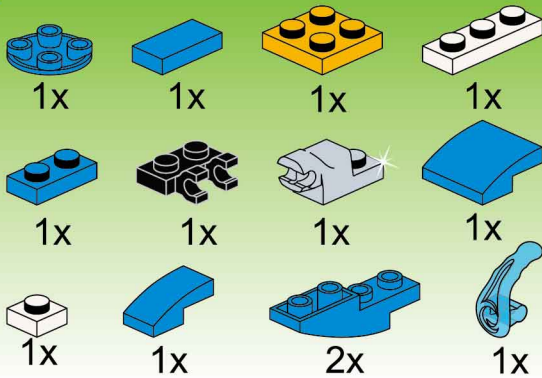
Sub-assembly diagrams for step B15:

1. A white 1x4 Technic Plate with 2 Holes is placed on top of a blue 1x4 Technic Plate with 4 Holes.
2. A blue 1x4 Technic Plate with 4 Holes is placed on top of the white 1x4 Technic Plate with 2 Holes.
3. A blue 1x2 Technic Plate with 1 Hole is placed on top of the blue 1x4 Technic Plate with 4 Holes.
4. A blue 1x2 Technic Plate with 1 Hole is placed on top of the blue 1x4 Technic Plate with 4 Holes.
5. A blue 1x2 Technic Plate with 1 Hole is placed on top of the blue 1x4 Technic Plate with 4 Holes.

Inset diagrams:

1. A black 1x3 Technic Plate with 3 Holes is placed on top of a yellow 1x4 Technic Plate with 4 Holes.
2. A blue 1x2 Technic Plate with 1 Hole is placed on top of a white 1x2 Technic Plate with 1 Hole.

B16



B17

